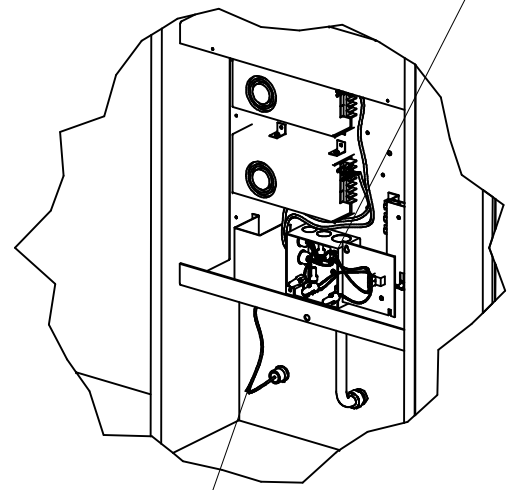


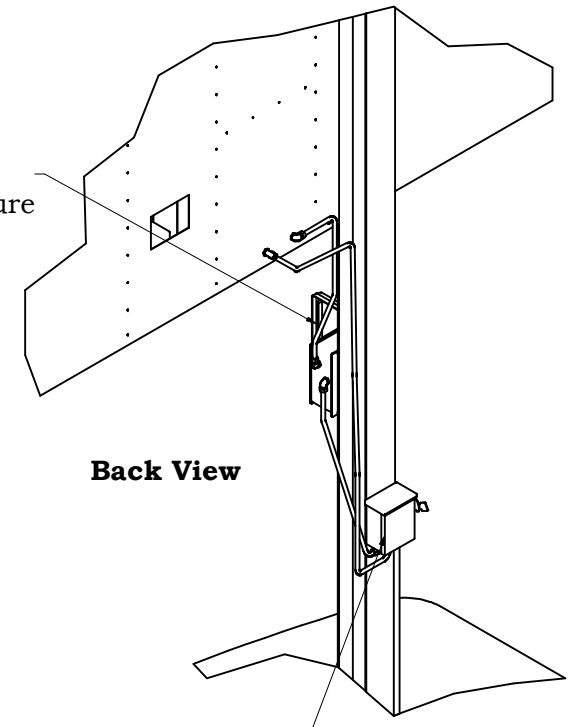
Scoreboard Face removed for clarity



Wire Connections
 Black to Line
 White to Neutral
 Green to Ground

Receiver box (mount to front of column and ensure clear line of sight to control location)

All conduit, connectors and boxes must be raintight

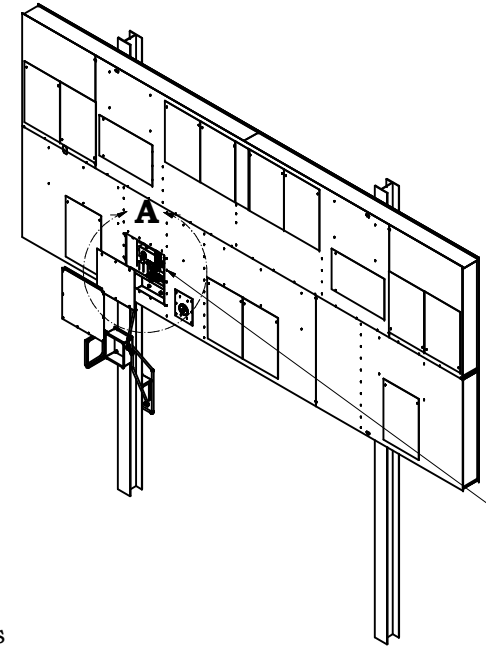


Back View

Disconnect Switch*

* National Electrical Code requires a disconnect switch within sight of sign or lockable within the building. If neither is available, install a disconnect at the scoreboard.

Cover to Power Enclosure typically opposite Power/Signal holes. Alternate hole locations may be selected by installer. Check new location before drilling. If new location is used, leave plastic plugs in holes provided by Nevco.



Be sure to replace all doors after installation or service

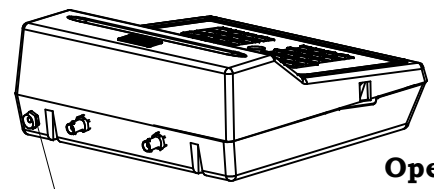
Scoreboard Signal (from receiver box on column)

Detail A Front Interior View



MPCX

Insert batteries (included)



MPCW

Operator's Control Options

Connect to power

Important. Read before installation.

This sign is intended to be installed in accordance with the requirements of Article 600 of the National Electrical Code and/or other applicable local codes. This includes proper grounding and bonding of the sign. All personnel who work with electrical connections must be educated in the safe procedures for installing and repairing electrical connections before they are given the responsibility of performing such tasks. Conduit and fittings are supplied by installer.

Wireless Outdoor Scoreboard Installation	
Drawn	BRS
Date	05/17/10

<p>Nevco, Inc. Greenville, Illinois 62246</p>	
Drawing No.	275-0126
Sheet 1 of	2

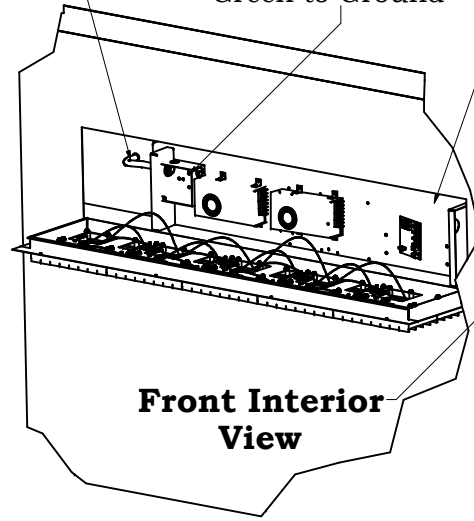
7516 / 3516 ETN Connections

Rev B

Note: The connections shown below are not required for other scoreboard models with ETN. Make connections on sheet 1 only.

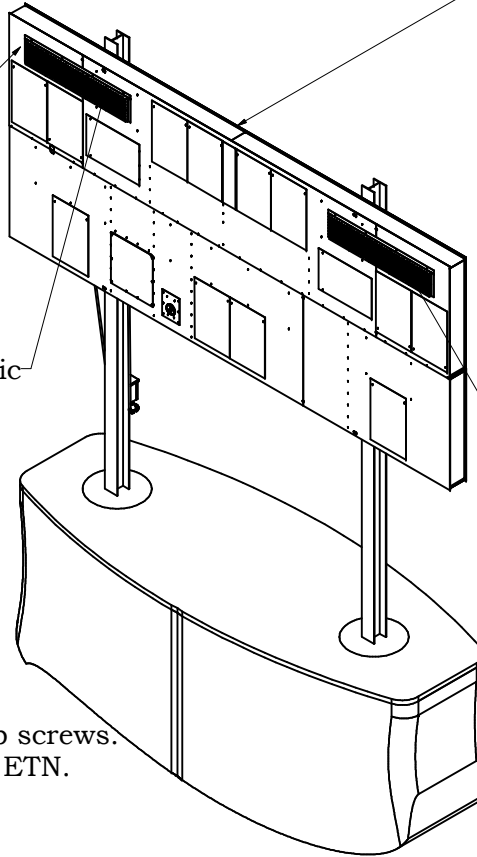
ETN Power cutouts located behind Home and Guest team names on 7516/3516 models. If power is brought in elsewhere, plug holes with caps supplied by Nevco.

Wire Connections
 Black to Line
 White to Neutral
 Green to Ground



Power Distribution Cover removed for clarity

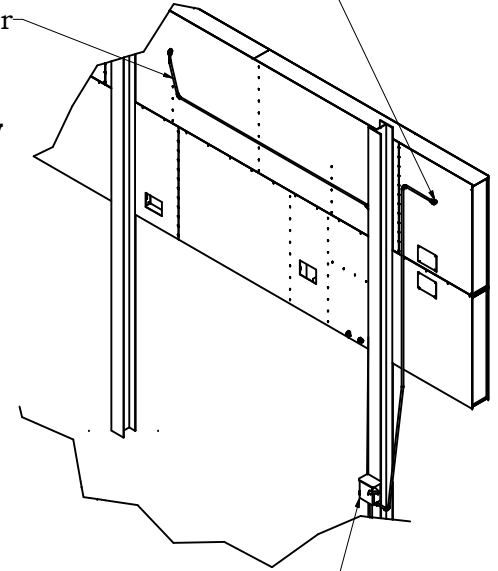
Home Electronic Team Name



Guest ETN Power

Back view

Home ETN Power



Guest Electronic Team Name

Safety Disconnect Switch*

All conduit, connectors and boxes must be raintight.

* National Electrical Code requires a disconnect switch within sight of sign or lockable within the building. If neither is available, install a disconnect at the scoreboard.

7516/3516 ETN Power Installation

1. Open "Home" and "Guest" ETN's by removing top screws.
2. Remove Power Distribution Inner Cover on each ETN.
3. Remove Electrical Box Cover.
4. Run power through conduit to electrical box.
5. Connect power as shown above.
6. Replace inner covers.
7. Close ETN doors and replace screws.

Important. Read before installation.

This sign is intended to be installed in accordance with the requirements of Article 600 of the National Electrical Code and/or other applicable local codes. This includes proper grounding and bonding of the sign. All personnel who work with electrical connections must be educated in the safe procedures for installing and repairing electrical connections before they are given the responsibility of performing such tasks. Conduit and fittings are supplied by installer.

Electronic Team Name Power Installation



Nevco, Inc.
 Greenville, Illinois 62246

Drawing No. 275-0126

Drawn BRS Date 05/17/10

Sheet 2 of 2