

**Important. Read before installation\***

This is not an engineered drawing. It is intended for representation purposes only. The dimensions called out on this drawing are intended to be used as a guide only, and are not intended to be suitable for all conditions. Information specific to the scoreboard being used, such as assembly instructions and electrical connections, may be found in the installation manual for that scoreboard.

**Necco recommends that you consult a professional engineer or architect** familiar with the area before attempting installation. They can verify that the brackets, screws, and other hardware items supplied by you or Necco are adequate for your local soil conditions, wind loads and other conditions. If procedures are used that are not covered in this drawing, careful analysis of the installation is urged.

Installation for  
Single Section  
Scoreboard  
Requiring One  
Column



Necco, Inc.  
Greenville, Illinois 62246

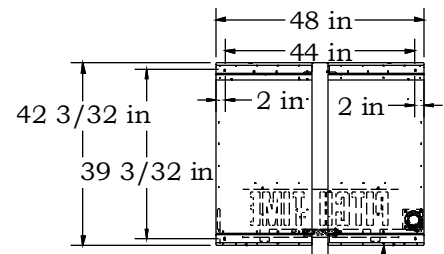
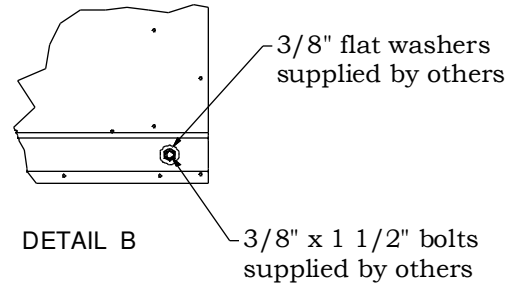
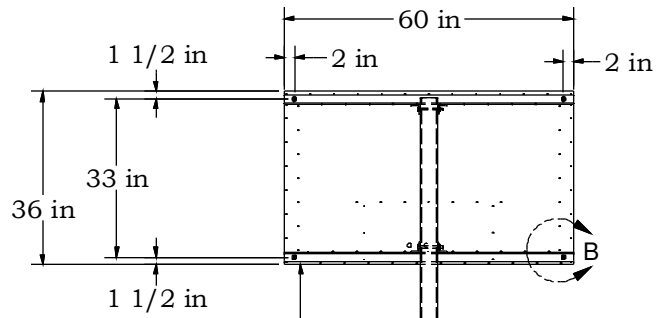
Drawing No. 241-0353

Drawn BRS

Date 10/24/11

Sheet 1 of 2

|     |   |
|-----|---|
| Rev | B |
|-----|---|



**9520**  
(est weight 40 lbs)

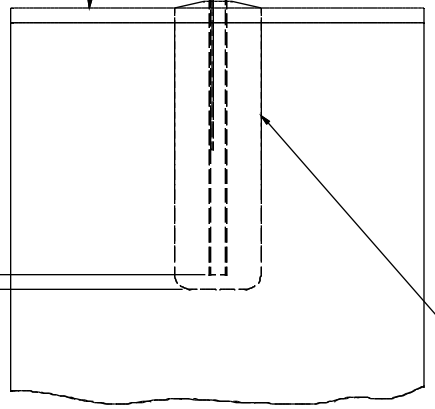
Steel Box Tubing (supplied by others) see chart below

Check electrical prints to determine conduit requirements (must meet codes)

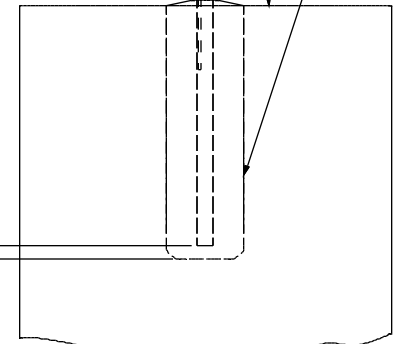
Check electrical prints to determine conduit requirements (must meet codes)

Steel Box Tubing (supplied by others) see chart below

Coarse aggregate concrete minimum 18" diameter minimum 5' deep\*



**REAR VIEW**  
**PCD (est weight 55 lbs)**



Coarse aggregate concrete Minimum 18" diameter Minimum 5' deep\*

**9520 Steel Requirements**

| Material                    | Required | Length |
|-----------------------------|----------|--------|
| 3 1/2 x 3 1/2 x 3/16 Tubing | 1        | 16' 6" |
| 2 x 2 x 1/4                 | 2        | 4'     |
| 2 x 2 x 1/4                 | 4        | 5 1/2" |

**PCD Steel Requirements**

| Material                   | Required | Length |
|----------------------------|----------|--------|
| 3 1/2 x 3 1/2 x 1/4 Tubing | 1        | 16'    |
| 2 x 2 x 1/4                | 2        | 5'     |
| 2 x 2 x 1/4                | 4        | 5 1/2" |

Installation for Single Section Scoreboard Requiring One Column



Neveco, Inc.  
Greenville, Illinois 62246

Drawing No. 241-0353

Drawn BRS

Date 10/24/11

Sheet 2 of 2