

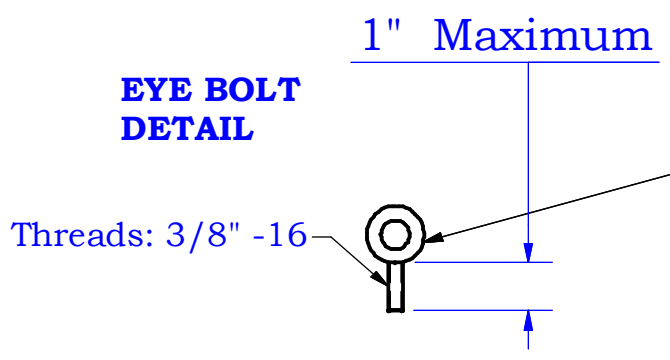
- Required Tools/Materials**
- (2) 9/16" wrenches
 - *(8) 3/8-16 x 1 3/4 bolts (minimum grade: A307)
 - *(8) 3/8-16 nuts
 - *(16) 3/8 flat washers
- Optional for Hanger Bolts:
- (2) 3/8 x 1 3/4 bolts
 - (2) 3/8 nuts
- *Not required if welding brackets to columns

DIMENSIONS					
Model	Height	Width	Dim "A"	Dim "B"	Weight (lbs)
PCD-08	2'	8'	7 9/16"	6'	60
PCD-10	2'	10'	13 9/16"	8'	80
PCD-16	2'	16'	13 9/16"	8'	110
PCD-18	2'	18'	13 9/16"	10'	120

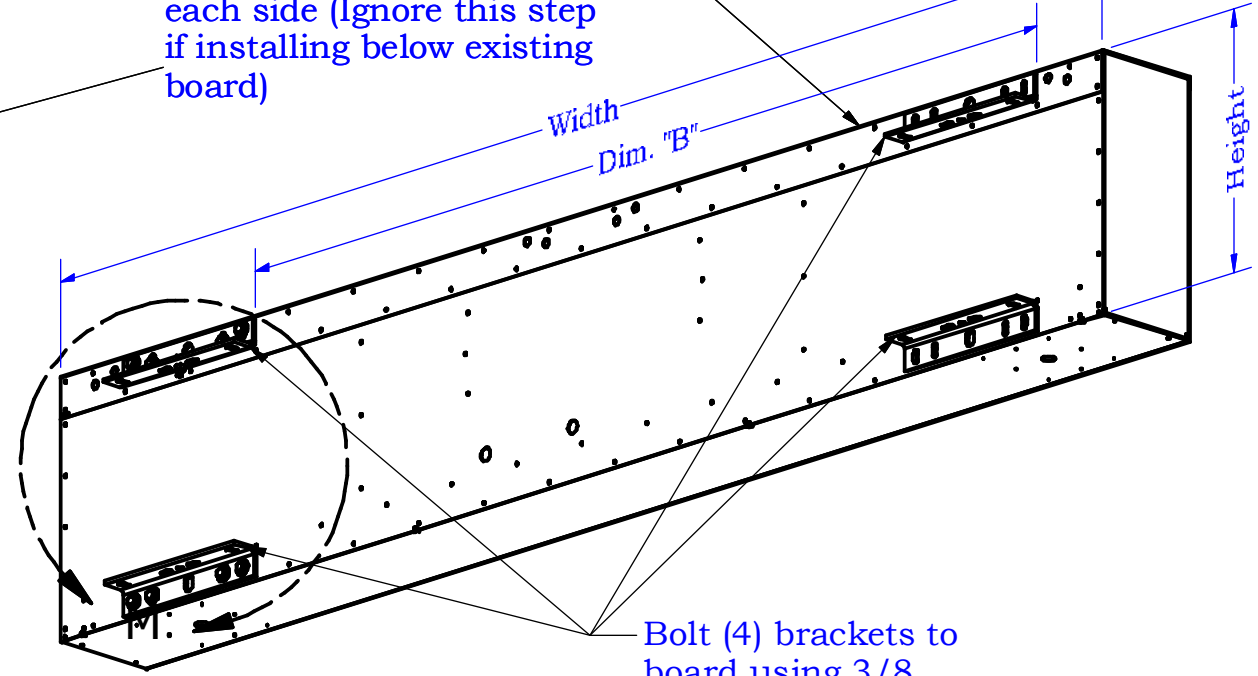
Notes:

- 1) Dimension "B" can also be determined by measuring between mounting brackets on the pitch count board.
- 2) Refer to drawing 241-0349 for column sizes, pier dimensions and other requirements.
- 3) Mounting brackets and hardware are in a separate box.

Pitch Count Installation		
	Nevco, Inc. Greenville, Illinois 62246	
Last ECO	Drawing No. 241-0356	
Drawn DBB Date 3/5/2014	Sheet 1 of 3	



Install eye bolts (supplied by others) in top of cabinet each side (Ignore this step if installing below existing board)

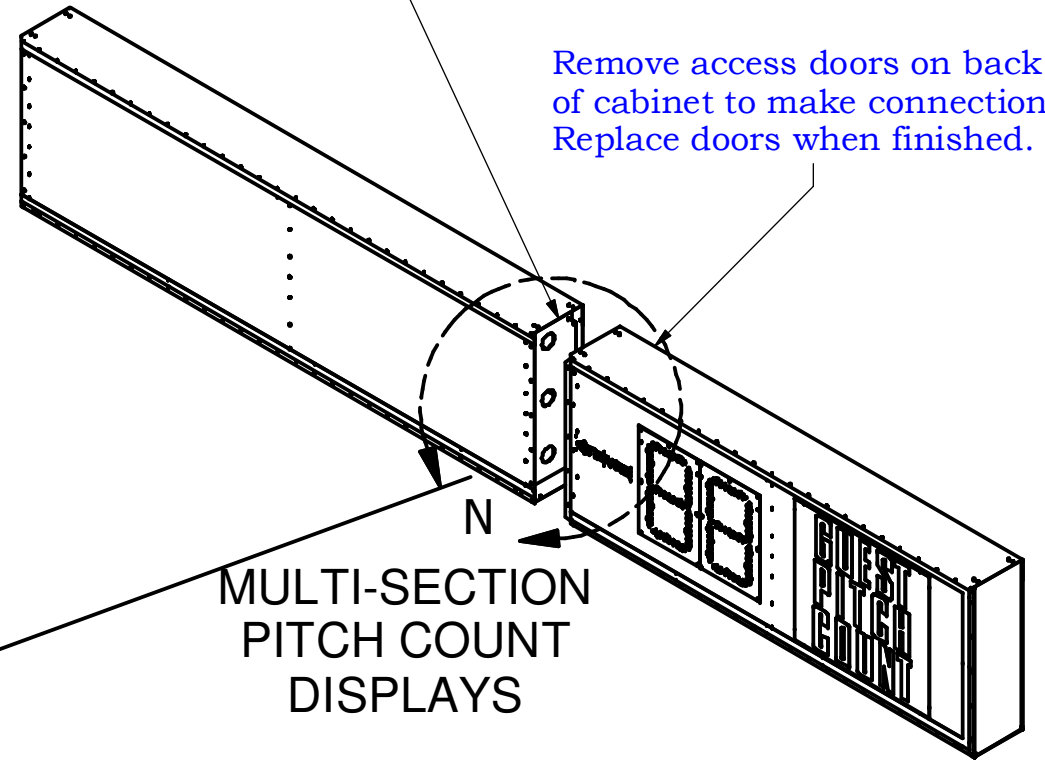


Electrical connections between cabinets can be made before installing board on columns.

Remove access doors on back of cabinet to make connections. Replace doors when finished.

Bolt (4) brackets to board using 3/8 serrated flange bolts supplied by Nevco.

Top brackets are fixed position

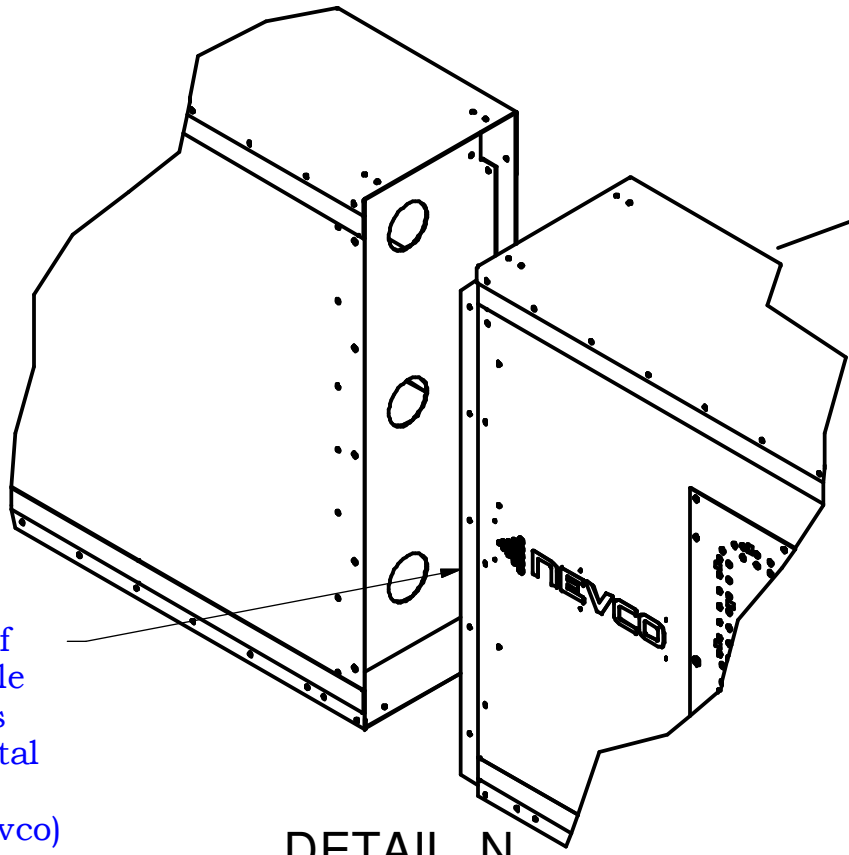


MULTI-SECTION PITCH COUNT DISPLAYS

DETAIL M Loosen and slide brackets up and re-tighten (brackets adjustable up and down 1/2" overall)

Install 3/8 x 1 3/4 bolt and nut (supplied by Nevco) in center hole of top brackets to use as hanger during installation. **(do not do this if installing under existing board)**

Slide extended flange of male cabinet into female cabinet. Screw sections together with sheet metal screws front and back. (screws supplied by Nevco)



DETAIL N
Screwing Sections Together

Pitch Count Installation		
	Nevco, Inc. Greenville, Illinois 62246	
Last ECO	Drawing No. 241-0356	
Drawn DBB Date 3/5/2014	Sheet 2 of 3	

6 5 4 3 2 1

6 5 4 3 2 1

D

D

C

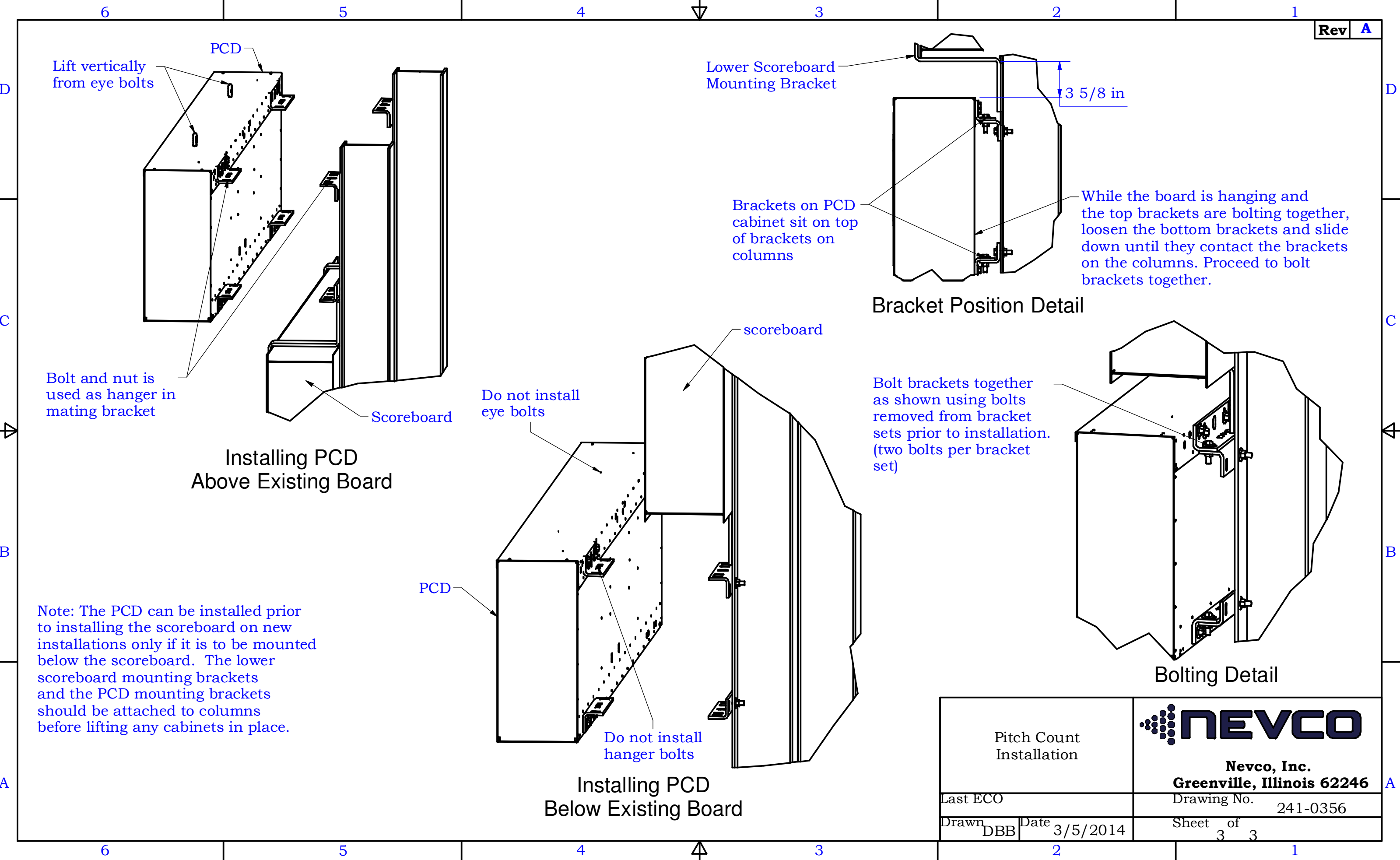
C

B

B

A

A



Note: The PCD can be installed prior to installing the scoreboard on new installations only if it is to be mounted below the scoreboard. The lower scoreboard mounting brackets and the PCD mounting brackets should be attached to columns before lifting any cabinets in place.

Pitch Count Installation		
	Nevco, Inc. Greenville, Illinois 62246	
	Last ECO	Drawing No. 241-0356
Drawn DBB	Date 3/5/2014	Sheet 3 of 3