

							Rev	A
1 Row Scoreboards (See Sheet 5 for bracket dimensions)								
Model	Width	Height	Weight	Weight w/ETN	Dim "A"	Dim "B"		
1650	8'	3' 3/32"	90	N/A	1'	6'		
1610, 1620 3650	10'	4' 3/32"	130	N/A	1'	8'		
1625	10'	5' 3/32"	160	N/A	1'	8'		
1632, 3602	12'	5' 3/32"	180	235	2'	8'		
9652	9'	4' 3/32"	110	N/A	6"	8'		
2 Row Scoreboards (See Sheet 6 for bracket dimensions)								
Model	Width	Height	Weight	Weight w/ETN	Dim "A"	Dim "B"		
9660	10'	6' 3/16"	200	N/A	1'	8'		
5625	12'	8' 3/16"	290	N/A	2'	8'		
1600, 3655 3658	16'	5' 3/16"	260	315	4'	8'		
1609, 1635	16'	6' 3/16"	290	345	4'	8'		
1608, 5634	18'	6' 3/16"	320	375	4'	10'		
1630, 1640 3600, 3614 3634, 3656 5635	18'	8' 3/16"	420	482	4'	10'		
3625	18'	9' 3/16"	460	522	4'	10'		
3680	18'	8' 3/16"	N/A	590	4'	10'		
3 Row Scoreboards (See Sheet 7 for bracket dimensions)								
Model	Width	Height	Weight	Weight w/ETN	Dim "A"	Dim "B"		
1615	16'	7' 9/32"	350	405	4'	8'		
7680	18'	10' 6 5/8"	N/A	710	4'	10'		
7604, 7614 7624	18'	10' 6 9/32"	530	592	4'	10'		
9650	16'	10' 3/16"	490	N/A	4'	8'		

- General Notes:**
1. Column steel to be grade A992 (50 ksi steel minimum).
  2. Bracing steel to be ASTM A500 Grade B minimum (see note 2 on sheets 2-4).
  3. Minimum bolt grade: A307
  4. All welds to conform to AWS standards
  5. The dimensions in the charts on sheets 2-4 are calculated using the requirements specified in IBC 2009, and the Manual of Steel Construction (13th Edition). Soil lateral bearing pressure is considered to be 150 psf/f.
  6. The weights of signs to be calculated using 4.3 lb/sq. ft of sign area.
  7. The weights of Nevco message centers to be calculated using 8.5 lb/sq ft.
  8. The weights of Nevco video displays to be calculated using 9.5 lbs/sq. ft.
  9. The weights of Nevco arches to be calculated using 7.7 lbs/sq. ft.

**Important. Read before installation.**  
 This is not an engineered drawing. It is intended for representational purposes only. The dimensions called out on this drawing are intended to be used as a guide only, and are not intended to be suitable for all conditions. Adding signs or other components around the scoreboard beyond the scope of this drawing or increasing the display height from the ground will affect the installation requirements. Nevco recommends that you consult a professional engineer or architect familiar with the area before attempting installation. They can verify that the selected mounting beams or posts along with the brackets, screws, and other hardware items provided by others or Nevco are adequate for your local soil conditions, wind loads and other local codes. If procedures are used that are not covered in this drawing, careful analysis of the installation is urged.

Outdoor Scoreboard Installation 2 Column			
		Nevco, Inc. Greenville, Illinois 62246	
		Drawing No. 241-0347	
Drawn DBB	Date 8/20/2014	Sheet 1 of 9	

4

3

2

1

EXPOSURE C (See note 3)

90 MPH WIND ZONES

EXPOSURE B (See note 4)

Rev A

Column and Pier Requirements (Based on ASCE 7-05 Exposure C for 90mph Wind Load)					
Display Height	Pier Dia	Pier Depth	Col Length	Unbraced Column	Braced Column
6'	2'	8'6"	24'	W10 x 22	W8 x 18
8'	2'	9'6"	27'	W12 x 26	W8 x 21
9'	2'	10'	28'6"	W12 x 30	W10 x 22
10'	2'	10'6"	30'	W10 x 33	W10 x 26
10' 6"	2'	11'	31'	W10 x 33	W10 x 26
12'	2'	11'6"	33'	W10 x 39	W12 x 26
14'	2'	12'	35'6"	W14 x 43	W12 x 30
16'	2' (3')	13'6" (11')	39' (36'6")	W10 x 49	W14 x 34
18'	2' (3')	14'6" (11'6")	42'6" (39'6")	W12 x 53	W18 x 35
20'	2' (3')	16'6" (12'6")	46'6" (42'6")	W12 x 65	W16 x 40
22'	2' (3')	17'6" (14')	49'6" (46')	W12 x 65	W21 x 44
25'	2' (3')	19'6" (15'6")	54'6" (50'6")	W12 x 79	W18 x 50
30'	2' (3')	23' (18')	63' (58')	W24 x 104	W21 x 55
35'	2' (3')	26'6" (20'6")	71'6" (65'6")	W14 x 120	W21 x 68
40'	2' (3')	29'6" (23')	79'6" (73')	W14 x 145	W24 x 76

Column and Pier Requirements (Based on ASCE 7-05 Exposure B for 90mph Wind Load)					
Display Height	Pier Dia	Pier Depth	Col Len.	Unbraced Col	Braced Column *
6'	2'	7'6"	23'	W8 x 18	W8 x 15
8'	2'	8'6"	26'	W8 x 24	W8 x 18
9'	2'	8'6"	27'	W8 x 24	W8 x 18
10'	2'	9'	28'6"	W12 x 26	W8 x 21
10' 6"	2'	9'6"	29'6"	W8 x 28	W8 x 21
12'	2'	10'	31'6"	W10 x 33	W10 x 22
14'	2'	10'6"	34'	W8 x 35	W10 x 26
16'	2'	11'	36'6"	W12 x 40	W12 x 26
18'	2' (3')	12' (10')	40' (38')	W10 x 45	W12 x 30
20'	2' (3')	13' (11')	43' (41')	W10 x 49	W14 x 34
22'	2' (3')	14' (11'6")	46' (43'6")	W10 x 60	W18 x 35
25'	2' (3')	16' (12'6")	51' (47'6")	W12 x 65	W16 x 40
30'	2' (3')	18'6" (14'6")	58'6" (54'6")	W12 x 87	W16 x 50
35'	2' (3')	21' (16'6")	66' (61'6")	W12 x 106	W21 x 55
40'	2' (3')	24' (18'6")	74' (68'6")	W14 x 120	W21 x 62

Column and Pier Requirements (Based on ASCE 7-05 Exposure C for 90mph Wind Load)					
Display Height	Pier Dia	Pier Depth	Col Length	Unbraced Column	Braced Column *
5'	2'	7'6"	22'	W8 x 18	W10 x 17
6'	2'	8'6"	24'	W8 x 21	W8 x 18
7'	2'	9'	25'6"	W8 x 24	W8 x 18
8'	2'	9'	26'6"	W8 x 24	W8 x 21
10'	2'	10'	29'6"	W10 x 33	W10 x 22
12'	2'	11'	32'6"	W8 x 35	W10 x 26
14'	2'	11'6"	35'	W10 x 39	W12 x 26
16'	2' (3')	12'6" (10'6")	38' (36")	W14 x 48	W12 x 30

Column and Pier Requirements (Based on ASCE 7-05 Exposure B for 90mph Wind Load)					
Display Height	Pier Dia	Pier Depth	Col Length	Unbraced Column	Braced Column *
5'	2'	6'6"	21'	W8 x 18	W8 x 13
6'	2'	7'	22'6"	W8 x 18	W10 x 15
7'	2'	7'6"	24'	W8 x 21	W10 x 17
8'	2'	8'	25'6"	W10 x 22	W8 x 18
10'	2'	9'	28'6"	W8 x 24	W8 x 18
12'	2'	9'6"	31'	W10 x 33	W10 x 22
14'	2'	10'	33'6"	W10 x 33	W10 x 22
16'	2'	11'	36'6"	W10 x 39	W10 x 26

Column and Pier Requirements (Based on ASCE 7-05 Exposure C for 90mph Wind Load)					
Display Height	Pier Dia	Pier Depth	Col Length	Unbraced Column	Braced Column *
5'	2'	7'	21'6"	W8 x 18	W10 x 15
8'	2'	8'6"	26'	W8 x 24	W8 x 18
10'	2'	9'	28'6"	W12 x 26	W8 x 21
12'	2'	10'	31'6"	W10 x 33	W10 x 22
15'	2'	11'	36'	W10 x 39	W12 x 26

Column and Pier Requirements (Based on ASCE 7-05 Exposure B for 90mph Wind Load)					
Display Height	Pier Dia	Pier Depth	Col Length	Unbraced Column	Braced Column *
5'	2'	6'	20'6"	W8 x 15	W8 x 13
8'	2'	7'6"	25'	W8 x 21	W8 x 15
10'	2'	8'	27'6"	W8 x 24	W8 x 18
12'	2'	8'6"	30'	W12 x 26	W8 x 18
15'	2'	9'6"	34'6"	W10 x 33	W10 x 22

Column and Pier Requirements (Based on ASCE 7-05 Exposure C for 90mph Wind Load)					
Display Height	Pier Dia	Pier Depth	Col Length	Unbraced Column	Braced Column*
4'	2'	6'6"	20'	W8 x 15	W8 x 13
5'	2'	6'6"	21'	W8 x 18	W8 x 13
6'	2'	7'	22'6"	W8 x 18	W10 x 15
8'	2'	8'	25'6"	W8 x 21	W10 x 17
10'	2'	8'6"	28'	W8 x 24	W8 x 18
12'	2'	9'6"	31'6"	W12 x 30	W8 x 21
15'	2'	10'6"	35'6"	W8 x 35	W10 x 26

Column and Pier Requirements (Based on ASCE 7-05 Exposure B for 90mph Wind Load)					
Display Height	Pier Dia	Pier Depth	Column Length	Unbraced Column	Braced Column *
4	2	5'6"	19'	W8 x 13	W8 x 13
5	2	6'	20'6"	W10 x 15	W8 x 13
6	2	6'	21'6"	W10 x 17	W8 x 13
8	2	7'	24'6"	W8 x 18	W12 x 14
10	2	7'6"	27'	W8 x 21	W10 x 17
12	2'	8'	30'	W8 x 24	W8 x 18
15	2'	9'	34'	W10 x 33	W8 x 21

Column and Pier Requirements (Based on ASCE 7-05 Exposure C for 90mph Wind Load)					
Display Height	Pier Dia	Pier Depth	Col Length	Unbraced Column	Braced Column *
3	2'	5'6"	18'	W8 x 13	W8 x 13
6	2'	6'6"	22'	W8 x 18	W8 x 13
8	2'	7'6"	25'	W8 x 21	W8 x 15
10	2'	8'	27'6"	W8 x 24	W8 x 18
12'	2'	8'6"	30'6"	W8 x 28	W8 x 18
15'	2'	9'6"	34'6"	W10 x 33	W10 x 22

Column and Pier Requirements (Based on ASCE 7-05 Exposure B for 90mph Wind Load)					
Display Height	Pier Dia	Pier Depth	Col Length	Unbraced Column	Braced Column*
3	2	5'	17'6"	W8 x 13	W8 x 13
6	2	6'	21'6"	W8 x 15	W8 x 13
8	2	6'6"	24'	W8 x 18	W8 x 13
10	2	7'	26'6"	W8 x 21	W10 x 15
12	2'	7'6"	29'6"	W8 x 24	W10 x 17
15	2'	8'6"	33'6"	W8 x 28	W8 x 18

9' WIDE INSTALLS Exposure B

Column and Pier Requirements (Based on ASCE 7-05 Exposure B for 90mph Wind Load)					
Display Height	Pier Dia	Pier Depth	Column Length	Unbraced Column	Braced Column*
4'	2'	5'6"	19'	W8 x 13	W8 x 13

Chart Notes:

- If the display height is between chart values shown above, use the next highest value.
- \* Requires that braces be placed approximately 10' from ground level spanning both columns. If display is taller than 20' place braces on 10' spacing.
- Wind loading figured at **Exposure "C" - Open terrain** with scattered obstructions having heights generally less than 30 feet. This category includes flat open country, grasslands, and all water surfaces in hurricane prone areas.
- Wind loading figured at **Exposure "B" - Urban and suburban areas**, wooded areas, or other terrain with numerous closely spaced obstructions having the size of single-family dwellings or larger. These areas prevail in the upwind direction for a distance of 2600 feet or 20 times the structure height, whichever is greater.

Outdoor Scoreboard Installation 2 Column



Neveco, Inc. Greenville, Illinois 62246

Drawing No. 241-0347

Drawn DBB Date 8/20/2014

Sheet 2 of 9

EXPOSURE C (See note 3)

130 MPH WIND ZONES

EXPOSURE B (See note 4)

Rev A

18 FEET WIDE INSTALLATIONS

Table with 6 columns: Display Height, Pier Dia, Pier Depth, Col Len, Unbraced Column, Braced Column. Rows 6-40.

18 FEET WIDE INSTALLATIONS

16 FEET WIDE INSTALLATIONS

Table with 6 columns: Display Height, Pier Dia, Pier Depth, Col Length, Unbraced Column, Braced Column. Rows 5-16.

16 FEET WIDE INSTALLATIONS

12 WIDE INSTALLS

Table with 6 columns: Display Height, Pier Dia, Pier Depth, Col Length, Unbraced Column, Braced Column. Rows 5-15.

12 WIDE INSTALLS

10 WIDE INSTALLS

Table with 6 columns: Display Height, Pier Dia, Pier Depth, Col Length, Unbraced Column, Braced Column. Rows 4-15.

10 WIDE INSTALLS

8 WIDE INSTALLS

Table with 6 columns: Display Height, Pier Dia, Pier Depth, Col Length, Unbraced Column, Braced Column. Rows 3-15.

8 WIDE INSTALLS

9' WIDE INSTALLS Exposure B

Table with 6 columns: Display Height, Pier Dia, Pier Depth, Col Length, Unbraced Column, Braced Column. Row 4.

Table with 6 columns: Display Height, Pier Dia, Pier Depth, Col Len, Unbraced Column, Braced Column. Rows 6-40.

D

Table with 6 columns: Display Height, Pier Diameter, Pier Depth, Col Length, Unbraced Column, Braced Column. Rows 5-16.

C

Table with 6 columns: Display Height, Pier Diameter, Pier Depth, Col Length, Unbraced Column, Braced Column. Rows 5-15.

A

Table with 6 columns: Display Height, Pier Dia, Pier Depth, Col Length, Unbraced Column, Braced Column. Rows 4-15.

B

Table with 6 columns: Display Height, Pier Dia, Pier Depth, Col Length, Unbraced Column, Braced Column. Rows 3-15.

Chart Notes:

- 1. If the display height is between chart values shown above, use the next highest value.
2. \* Requires that braces be placed approximately 10' from ground level that spans both columns. See detail on sheet
5. If installation is taller than 20', place braces on 10' spacing.
3. Wind loading figured at Exposure "C" - Open terrain with scattered obstructions having heights generally less than 30 feet. This category includes flat open country, grasslands, and all water surfaces in hurricane prone areas.
4. Wind loading figured at Exposure "B" - Urban and suburban areas, wooded areas, or other terrain with numerous closely spaced obstructions having the size of single-family dwellings or larger. These areas prevail in the upwind direction for a distance of 2600 feet or 20 times the structure height, whichever is greater.

Outdoor Scoreboard Installation 2 Column



Neveco, Inc. Greenville, Illinois 62246

Drawing No. 241-0347

Drawn DBB Date 8/20/2014

Sheet 3 of 9

EXPOSURE C (See note 3)

150 MPH WIND ZONES

EXPOSURE B (See note 4)

Rev A

18 FEET WIDE INSTALLATIONS

Display Height	Pier Dia	Pier Depth	Col Length	Unbraced Column	Braced Column *
6	2' (3')	13' (11')	28'6" (26'6")	W12 x 35	W12 x 30
8	2' (3')	15'6" (12')	33' (29'6")	W14 x 43	W14 x 34
9	2' (3')	17' (13')	35'6" (31'6")	W14 x 48	W16 x 36
10	2' (3')	18'6" (14')	38' (33'6")	W12 x 53	W16 x 40
10.5	2' (3')	19' (14'6")	39' (34'6")	W14 x 61	W14 x 43
12	3' (4')	16' (13'6")	37'6" (35')	W14 x 61	W16 x 50
14	3' (4')	18' (15')	41'6" (38'6")	W14 x 74	W18 x 55
16	3' (4')	19'6" (16'6")	45' (42')	W18 x 86	W21 x 55
18	3' (4')	21'6" (18')	49'6" (46')	W18 x 97	W21 x 68
20	3' (4')	24'6" (20')	54'6" (50')	W24 x 104	W24 x 68
22	3' (4')	26'6" (22')	58'6" (54')	W24 x 117	W24 x 84
25	3' (4')	29'6" (24'6")	64'6" (59'6")	W24 x 146	W24 x 94
30	3' (4')	34'6" (28'6")	74'6" (68'6")	W21 x 182	W24 x 117
35	3' (4')	39'6" (32'6")	84'6" (77'6")	W18 x 234	W24 x 146
40	3' (4')	45' (37')	95' (87')	W18 x 283	W24 x 176

18 FEET WIDE INSTALLATIONS

16 FEET WIDE INSTALLATIONS

Display Height	Pier Dia	Pier Depth	Col Length	Unbraced Column	Braced Column *
5	2'	11'6"	26'	W12 x 30	W10 x 26
6	2'	12'	27'6"	W10 x 33	W12 x 26
7	2' (3')	13'6" (11')	30' (27'6")	W14 x 38	W12 x 30
8	2' (3')	14'6" (11'6")	32' (29')	W12 x 40	W14 x 34
10	2' (3')	17' (13')	36'6" (32'6")	W12 x 53	W16 x 40
12	2' (3')	19'6" (15')	41' (36'6")	W14 x 61	W21 x 44
14	3' (4')	16'6" (14')	40' (37'6")	W16 x 67	W18 x 50
16	3' (4')	18'6" (15')	44' (40'6")	W18 x 76	W18 x 55

16 FEET WIDE INSTALLATIONS

12 FEET WIDE INSTALLATIONS

Display Height	Pier Dia	Pier Depth	Col Length	Unbraced Column	Braced Column *
5	2'	10'6"	25'	W10 x 26	W10 x 22
8	2' (3')	12'6" (10'6")	30' (28')	W14 x 38	W12 x 30
10	2' (3')	14'6" (11'6")	34' (31')	W14 x 43	W14 x 34
12	2' (3')	16' (12'6")	37'6" (34')	W12 x 53	W16 x 36
15	2' (3')	19'6" (15')	44'6" (40')	W12 x 65	W21 x 44

12 FEET WIDE INSTALLATIONS

10 FEET WIDE INSTALLATIONS

Display Height	Pier Dia	Pier Depth	Col Length	Unbraced Column	Braced Column *
4	2'	9'	22'6"	W10 x 22	W8 x 21
5	2'	10'	24'6"	W8 x 24	W8 x 21
6	2'	10'6"	26'	W12 x 26	W10 x 22
8	2'	11'6"	29'	W10 x 33	W12 x 26
10	2' (3')	13' (11')	32'6" (30'6")	W12 x 40	W12 x 30
12	2' (3')	15' (12')	37' (34')	W14 x 48	W14 x 34
15	2' (3')	17'6" (13'6")	42'6" (38'6")	W14 x 61	W16 x 40

10 FEET WIDE INSTALLATIONS

8 FEET WIDE INSTALLATIONS

Display Height	Pier Dia	Pier Depth	Col Length	Unbraced Column	Braced Column *
3	2'	8'	20'6"	W8 x 18	W10 x 17
6	2'	10'	25'6"	W8 x 24	W10 x 22
8	2'	11'	28'6"	W10 x 33	W10 x 26
10	2'	12'	31'6"	W10 x 39	W12 x 26
12	2'	13'	35'	W14 x 43	W14 x 30
15	2' (3')	15'6" (12')	40'6" (37')	W12 x 53	W18 x 35

8 FEET WIDE INSTALLATIONS

Display Height	Pier Dia	Pier Depth	Col Len.	Unbraced Column	Braced Column *
6	2' (3')	11' (9'6")	26'6" (25')	W10 x 30	W10 x 26
8	2' (3')	12' (10'6")	29'6" (28')	W14 x 38	W12 x 26
9	2' (3')	13' (11')	31'6" (29'6")	W12 x 40	W12 x 30
10	2' (3')	14'6" (11'6")	34' (31')	W14 x 43	W14 x 34
10.5	2' (3')	15' (12')	35' (32')	W12 x 45	W14 x 34
12	3' (4')	12'6" (11')	34' (32'6")	W12 x 53	W16 x 36
14	3' (4')	14' (12')	37'6" (35'6")	W14 x 61	W14 x 43
16	3' (4')	15'6" (13')	41' (38'6")	W16 x 67	W16 x 50
18	3' (4')	17' (14')	45' (42')	W18 x 76	W18 x 55
20	3' (4')	19' (16')	49' (46')	W12 x 96	W21 x 55
22	3' (4')	21' (17'6")	53' (49'6")	W21 x 101	W21 x 62
25	3' (4')	23'6" (19'6")	58'6" (54'6")	W24 x 117	W24 x 68
30	3' (4')	27'6" (22'6")	67'6" (62'6")	W18 x 158	W24 x 94
35	3' (4')	31'6" (26')	76'6" (71')	W18 x 192	W24 x 104
40	3' (4')	35'6" (29'6")	85'6" (79'6")	W14 x 233	W24 x 131

Display Height	Pier Dia	Pier Depth	Col Length	Unbraced Column	Braced Column
5	2'	9'6"	24'	W8 x 24	W8 x 21
6	2'	10'6"	26'	W12 x 26	W10 x 22
7	2'	11'	27'6"	W12 x 30	W10 x 26
8	2'	11'6"	29'	W10 x 33	W12 x 26
10	2' (3')	13'6" (11')	33' (30'6")	W12 x 40	W14 x 30
12	2' (3')	15' (12')	36'6" (33'6")	W14 x 48	W14 x 34
14	3' (4')	13' (11'6")	36'6" (35')	W12 x 53	W16 x 40
16	3' (4')	14'6" (12')	40' (37'6")	W14 x 61	W21 x 44

Display Height	Pier Dia	Pier Depth	Column Length	Unbraced Column	Braced Column *
5	2'	9'	23'6"	W10 x 22	W8 x 18
8	2'	10'6"	28'	W12 x 30	W14 x 22
10	2'	11'6"	31'	W14 x 38	W12 x 26
12	2' (3')	12'6" (11')	34' (32'6")	W14 x 43	W12 x 30
15	2' (3')	15'6" (12')	40'6" (37')	W12 x 53	W18 x 35

Display Height	Pier Dia	Pier Depth	Col Length	Unbraced Column	Braced Column *
4	2'	8'	21'6"	W8 x 18	W10 x 17
5	2'	8'6"	23'	W8 x 21	W8 x 18
6	2'	9'	24'6"	W8 x 24	W8 x 21
8	2'	10'	27'6"	W8 x 28	W10 x 22
10	2'	11'	30'6"	W10 x 33	W10 x 26
12	2' (3')	12' (10')	34' (32')	W10 x 39	W12 x 26
15	2' (3')	14' (11'6")	39' (36'6")	W10 x 49	W14 x 34

Display Height	Pier Dia	Pier Depth	Col Length	Unbraced Column	Braced Column *
3	2'	7'	19'6"	W10 x 17	W8 x 13
6	2'	8'6"	24'	W8 x 21	W8 x 18
8	2'	9'6"	27'	W8 x 24	W8 x 21
10	2'	10'	29'6"	W10 x 33	W10 x 22
12	2'	11'	33'	W8 x 35	W10 x 26
15	2' (3')	12' (10'6")	37' (35'6")	W10 x 45	W12 x 30

Chart Notes:

- If the display height is between chart values shown above, use the next highest value.
- \* Requires that braces be placed approximately 10' from ground level that spans both columns. See detail on sheet 5. If total height of display is over 20', place another set of braces on 10' spacing.
- Wind loading figured at **Exposure "C" - Open terrain** with scattered obstructions having heights generally less than 30 feet. This category includes flat open country, grasslands, and all water surfaces in hurricane prone areas.
- Wind loading figured at **Exposure "B" - Urban and suburban areas**, wooded areas, or other terrain with numerous closely spaced obstructions having the size of single-family dwellings or larger. These areas prevail in the upwind direction for a distance of 2600 feet or 20 times the structure height, whichever is greater.

Outdoor Scoreboard Installation  
2 Column

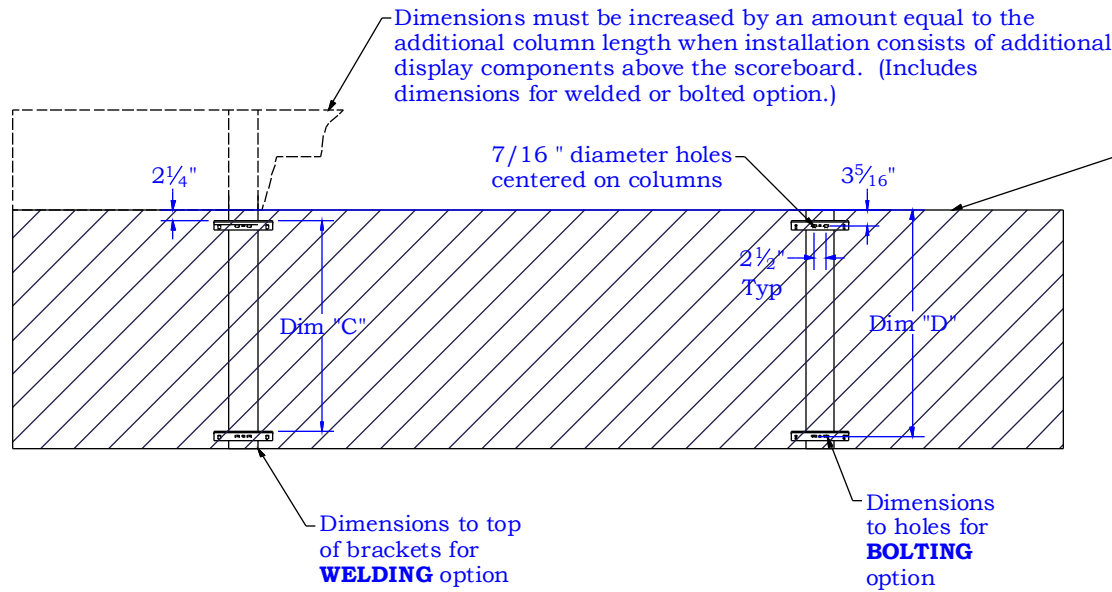


Neveco, Inc.  
Greenville, Illinois 62246

Drawing No. 241-0347

Drawn DBB Date 8/20/2014

Sheet 4 of 9



See notes/drawings on sheets 8,9 including bracket orientation, lateral installation (if required), wind speed requirements, etc.

Scoreboard	Scoreboard Height	Dim "C" (Welded)	Dim "D" (Bolted)
1650	3' 3/32"	31 7/8"	35 5/32"
1610 1620 3650 9652	4' 3/32"	43 7/8"	47 5/32"
1625 1632 3602	5' 3/32"	55 7/8"	59 5/32"

Hardware Supplied by Others	
Description	Quantity
3/8 x 1 1/2 Bolt*	8
3/8 Flat Washer	16
3/8 Lock Washer	8
3/8 Nut	8
3/8 -16 Eye Bolts**	

\* Minimum bolt grade is A307  
 \*\*see sheet 8

Outdoor Scoreboard  
 Installation  
 2 Column

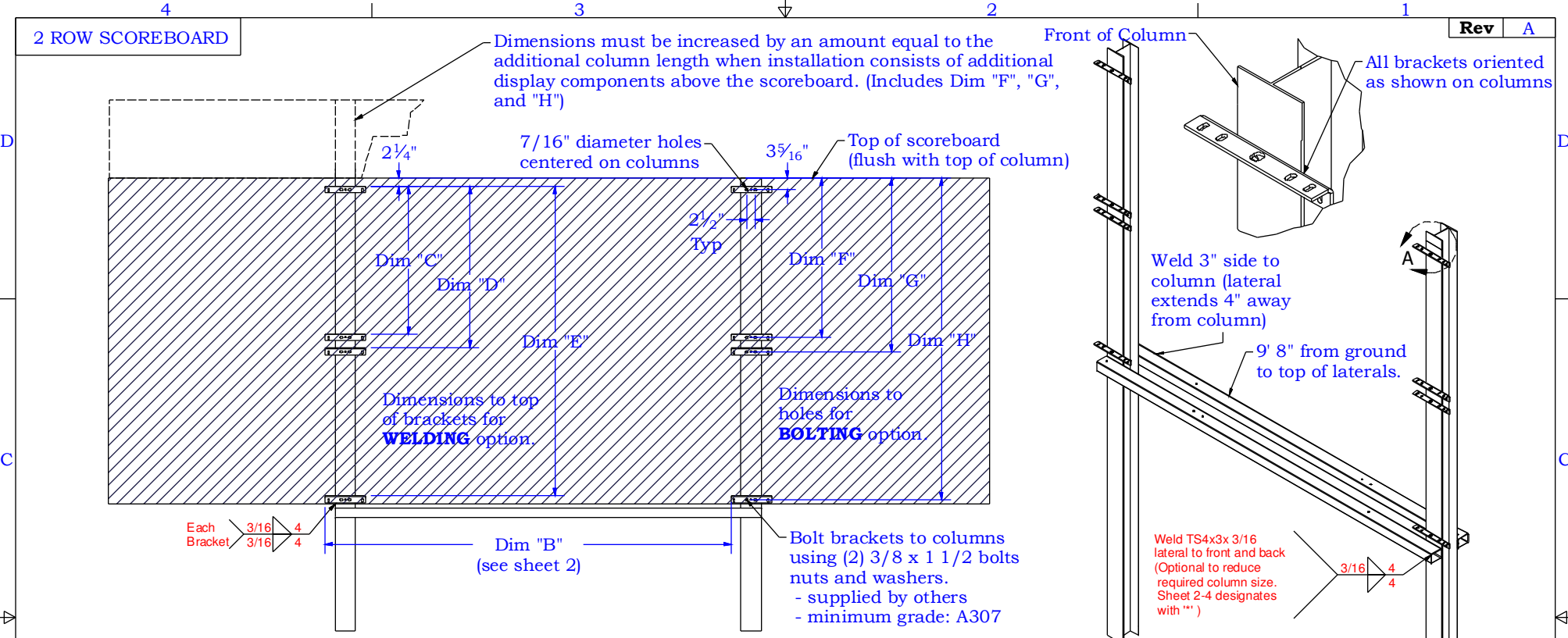


Neveco, Inc.  
 Greenville, Illinois 62246

Drawing No. 241-0347

Drawn DBB Date 8/20/2014

Sheet 5 of 9



Each Bracket 3/16 4 3/16 4

Weld TS4x3x3/16 lateral to front and back (Optional to reduce required column size. Sheet 2-4 designates with \*)

Model #	Scoreboard Height	WELDING DIMENSIONS			BOLTING DIMENSIONS		
		Dim "C"	Dim "D"	Dim "E"	Dim "F"	Dim "G"	Dim "H"
9660	6' 3/16"	19 7/8"	24 1/8"	67 15/16"	23 5/32"	27 7/16"	71 1/4"
5625	8' 3/16"	43 7/8"	48 1/8"	91 15/16"	47 5/32"	51 7/16"	95 1/4"
1600 3655 3658	5' 3/16"	31 7/8"	36 1/8"	55 15/16"	35 5/32"	39 7/16"	59 1/4"
1608 1609 1635	6' 3/16"	31 7/8"	36 1/8"	67 15/16"	35 5/32"	39 7/16"	71 1/4"
5634	6' 3/16"	43 7/8"	48 1/8"	67 15/16"	47 5/32"	51 7/16"	71 1/4"
1630 1640 3600 3614 3634 3656 3680 5635	8' 3/16"	43 7/8"	48 1/8"	91 15/16"	47 5/32"	51 7/16"	95 1/4"
3625	9' 3/16"	43 7/8"	48 1/8"	103 15/16"	47 5/32"	51 7/16"	107 1/4"

FRONT VIEW

NOTE: Minimum bolt grade is A307  
\* Hardware not needed if installer uses welding option.

HARDWARE SUPPLIED BY OTHERS	
Description	Quantity
*3/8 x 1 1/2 Bolt	16
*3/8 Flat Washer	32
*3/8 Lock Washer	16
*3/8 Nut	16
3/8-16 eye bolts (see sheet 8)	2

- Required Hand Tools:**
1. Phillips head screw driver/drill with phillips driver.
  2. 9/16" wrench
  3. Ratchet wrench and 9/16" socket
  4. Level
  5. Tape measure

**Notes:**

- 1) If welding brackets to columns, According to IBC standards, all welds are to be performed by AWS certified welder. The city in which the display is installed may waive this standard. Contact local officials if necessary.
- 2) **FOR HIGH WIND AREAS:** For installations in wind zones higher than 150 mph, brackets must be welded to columns.
- 3) Dimensions above should be taken from the top of the SHORTEST column, marked and leveled across to other column.
- 4) Brackets shipped in separate container.

Outdoor Scoreboard Installation  
2 Column

Drawn DBB Date 8/20/2014

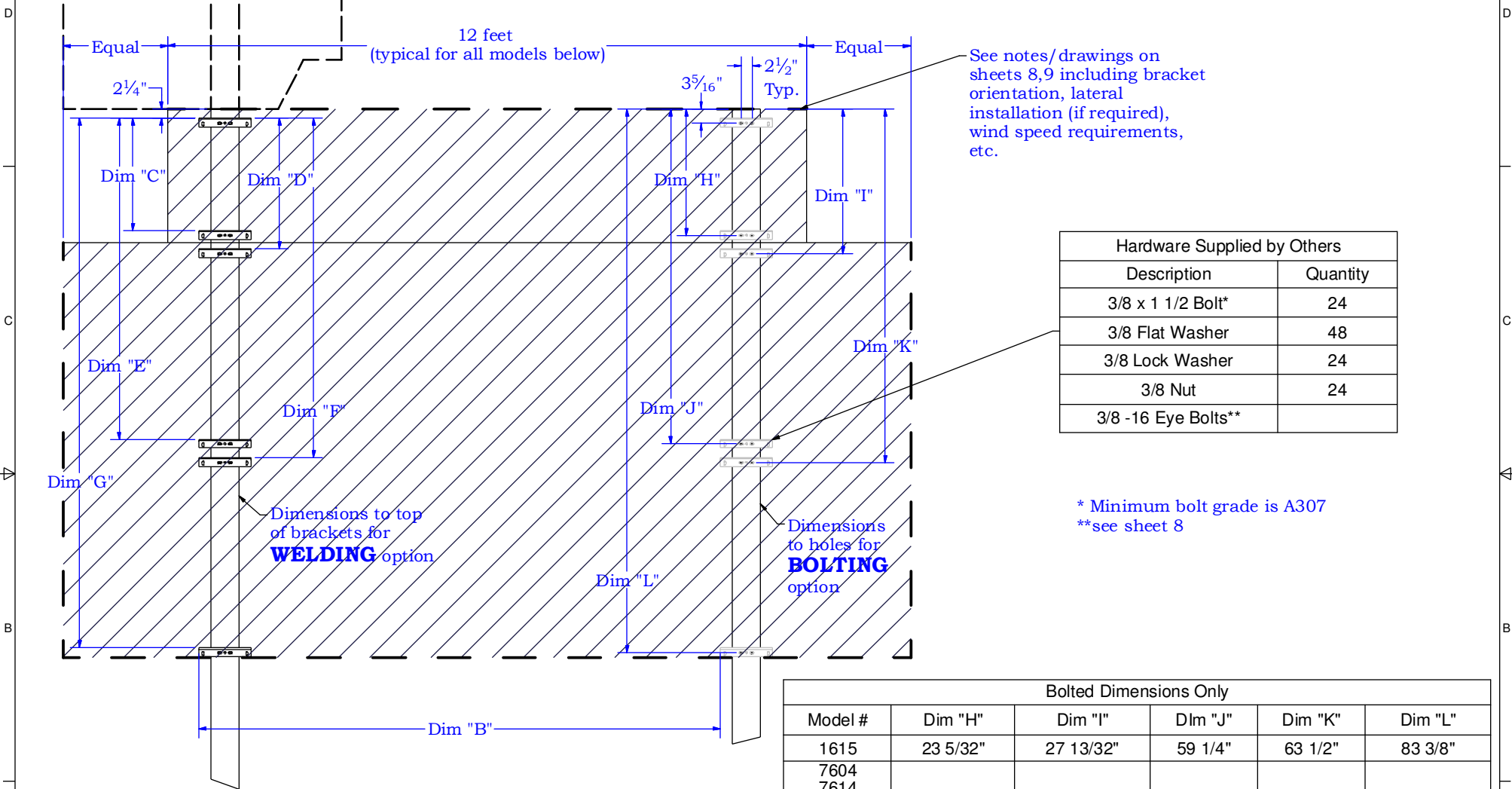
Neveco, Inc.  
Greenville, Illinois 62246

Drawing No. 241-0347

Sheet 6 of 9

3 Row Scoreboard

Dimensions must be increased by an amount equal to the additional column length when installation consists of additional display components above the scoreboard. (Includes dimensions for welded or bolted option.)



See notes/drawings on sheets 8,9 including bracket orientation, lateral installation (if required), wind speed requirements, etc.

Hardware Supplied by Others	
Description	Quantity
3/8 x 1 1/2 Bolt*	24
3/8 Flat Washer	48
3/8 Lock Washer	24
3/8 Nut	24
3/8 -16 Eye Bolts**	

\* Minimum bolt grade is A307  
 \*\*see sheet 8

Welding Dimensions Only					
Model #	Dim "C"	Dim "D"	Dim "E"	Dim "F"	Dim "G"
1615	19 7/8"	24 1/8"	55 15/16"	60 3/16"	80 1/16"
7604	25 7/8"	30 3/32"	73 15/16"	78 3/16"	122 1/16"
7614					
7624					
7680	19 7/8"	24 1/8"	67 15/16"	72 3/16"	116 1/16"

Bolted Dimensions Only					
Model #	Dim "H"	Dim "I"	Dim "J"	Dim "K"	Dim "L"
1615	23 5/32"	27 13/32"	59 1/4"	63 1/2"	83 3/8"
7604	29 5/32"	33 13/32"	77 1/4"	81 1/2"	125 3/8"
7614					
7624					
7680	23 3/16"	27 7/16"	71 1/4"	75 1/2"	119 3/8"

Outdoor Scoreboard  
Installation  
2 Column

**NEVCO**

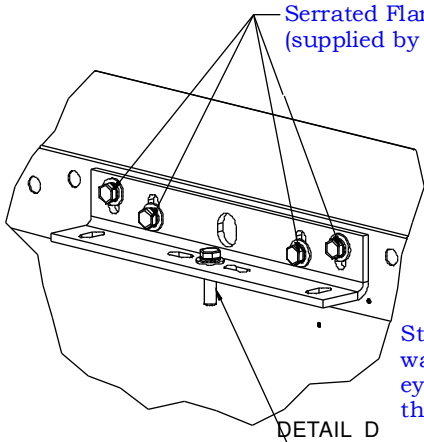
Nevco, Inc.  
Greenville, Illinois 62246

---

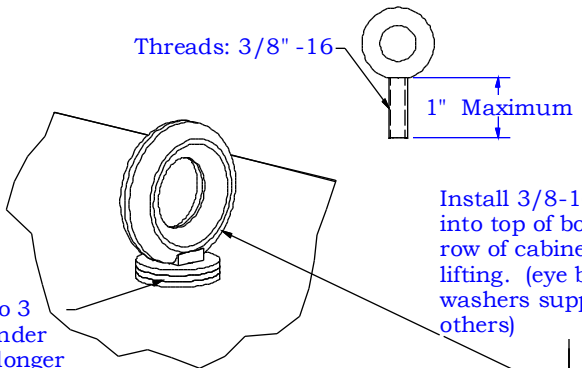
Drawing No. **241-0347**

---

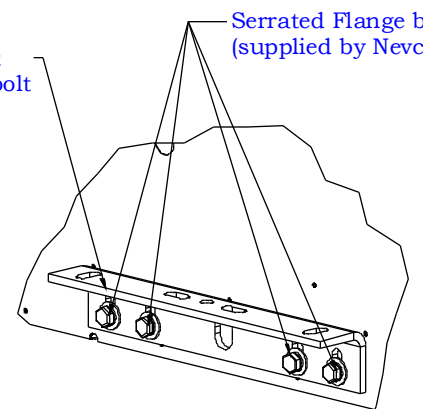
Drawn **DBB** Date **8/20/2014** Sheet **7** of **9**



DETAIL D



DETAIL E



DETAIL C

Stack up to 3 washers under eye bolt if longer than 1"

Slide bottom bracket up and tighten one bolt to hold in place

Install 3/8-16 eye bolts into top of board (lower row of cabinets 1st) for lifting. (eye bolts and washers supplied by others)

Install 3/8 x 1 1/4 bolt and nut (no washer) in center hole of top brackets. These will serve as hangers during installation. (supplied by Nevco)

Replace access doors when finished making connections

Top brackets are fixed position

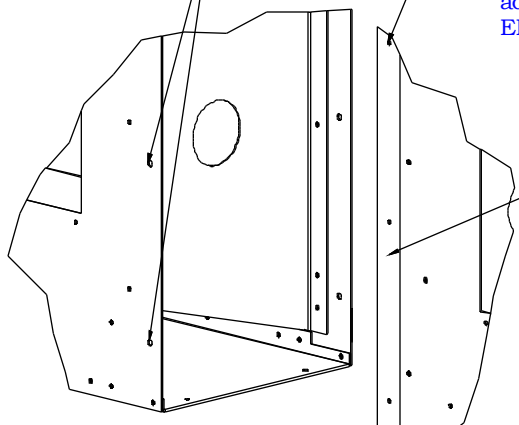
**WARNING:**  
Do not leave any screw locations empty.

Screw sections together front and back using screws supplied by Nevco

Make signal connections between board sections before installing scoreboard. (connections located behind access doors with "SPICE ENCLOSURE" label)

Secure connections to hangers located inside cabinets.

CABLE HANGER




DETAIL B

Insert extended flange into mating section (make sure both flanges of male end go to inside of female end)

- Notes:
- 1) Signal connections from lower row of cabinets to upper row should be made after both rows have been installed on columns. (see sheet 9 for more details)
  - 2) Make sure all bracket bolts are tight before installing scoreboard.

**Important:** Screw sections together prior to installing board onto columns. (Upper row of cabinets and lower row of cabinets do not connect)

Outdoor Scoreboard Installation 2 Column		 Nevco, Inc. Greenville, Illinois 62246	
		Drawing No.	241-0347
Drawn	DBB	Date	8/20/2014
		Sheet	8 of 9



Remove eye bolts from first row and install on second row

Spreader bar preferred for lifting (see installation instructions for more details)

Make power/signal connection between upper and lower rows of cabinets after board has been installed.  
 - connections located behind access doors  
 - Pull cables from lower section into upper section (connections must be made and permanently located in upper section)

Tighten all bracket bolts on first row before installation of second row

**WARNING:**  
 Do not lift scoreboards with any other additional weight attached such as laterals or other structural components

Install top row and tighten all bracket bolts.

CABLE HANGER

Secure connections to hangers located inside cabinets.

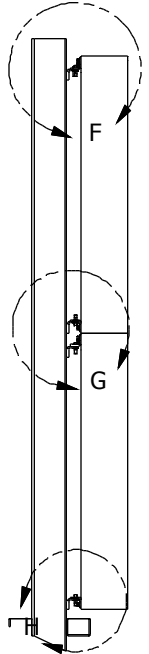
STEP ONE  
 Install First Row

STEP TWO  
 Install Second Row

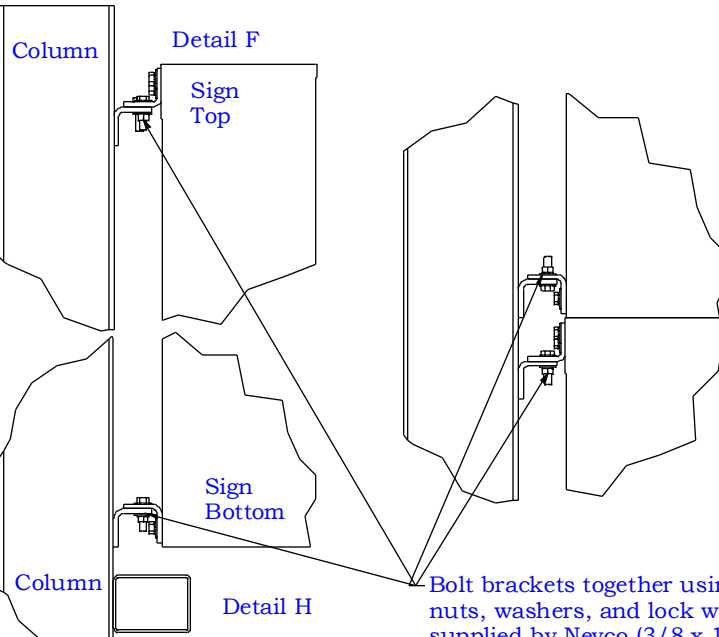
Bolt installed in top brackets of each row will serve as hanger

Scoreboard

column



Side View  
 Scoreboard Installation



Detail F

Sign Top

Sign Bottom

Detail H

Detail G

Bolt brackets together using bolts, nuts, washers, and lock washers supplied by Nevco (3/8 x 1 1/4 bolts)

Hanging Detail

Outdoor Scoreboard  
 Installation  
 2 Column



Nevco, Inc.  
 Greenville, Illinois 62246

Drawing No. 241-0347

Drawn DBB

Date 8/20/2014

Sheet 9 of 9