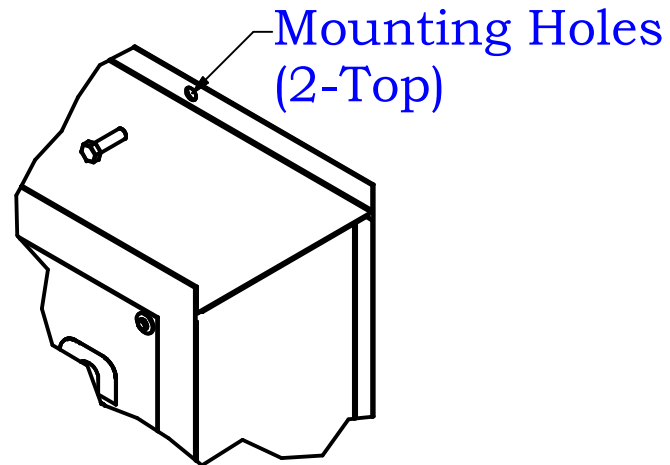
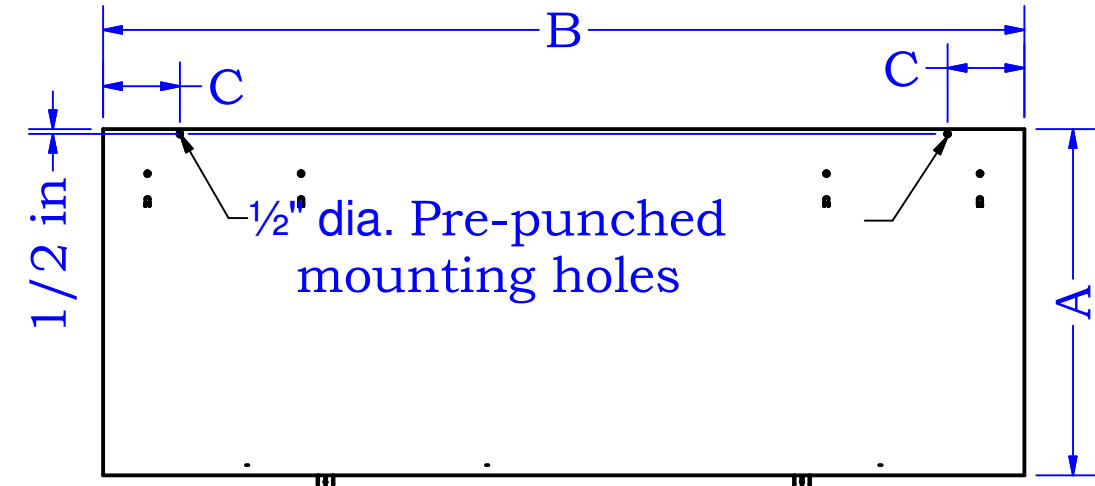
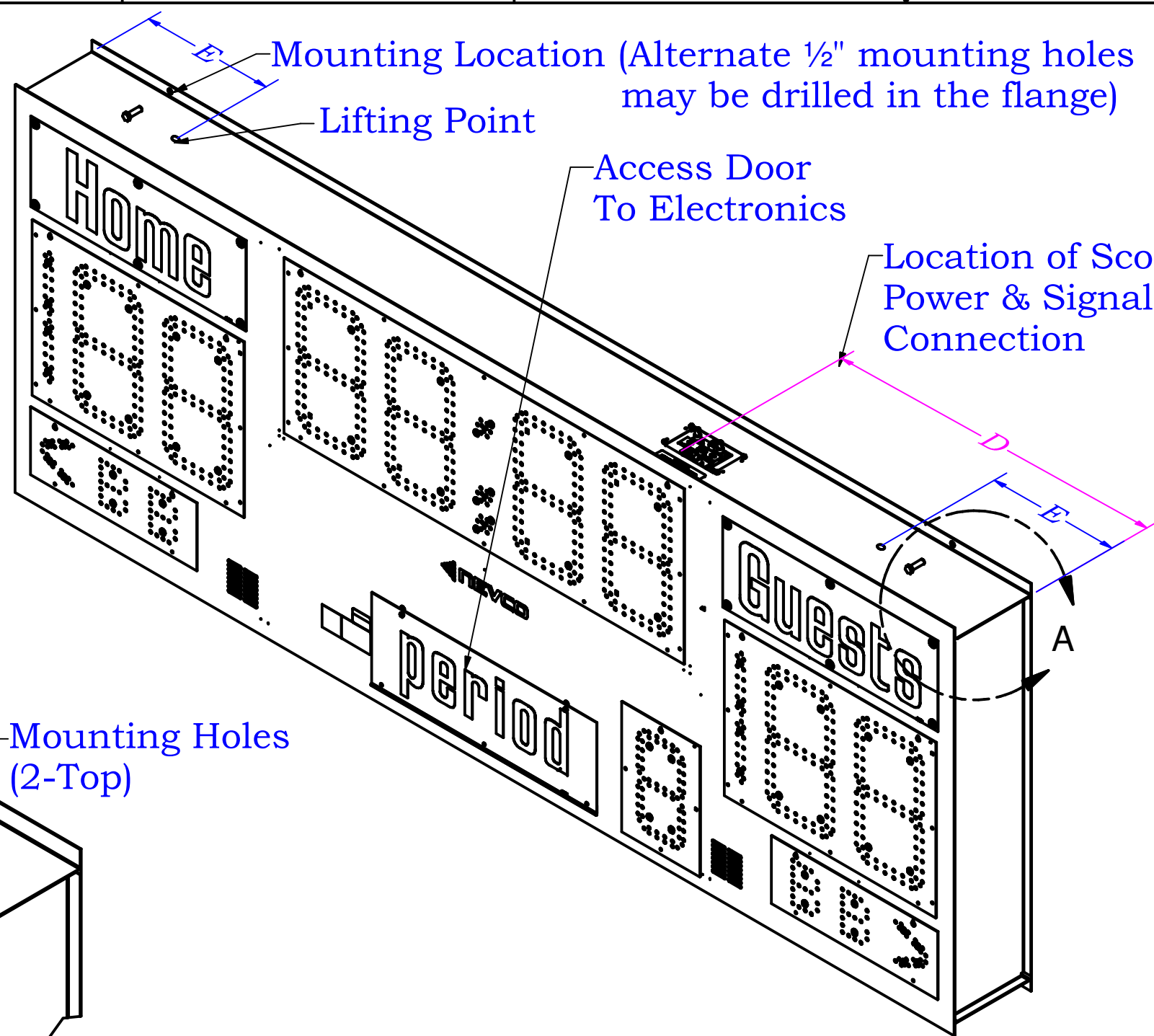



Rev	C
-----	---




- Notes:**
1. Lifting Point $\frac{3}{8}$ -16 Eyebolts can be threaded into the lifting point to lift the scoreboard for mounting or for suspension mount. Eyebolts can be removed after the scoreboard is mounted.
 2. Mount Scoreboard securely using $\frac{3}{8}$ " bolts or anchors and supplied washers using the existing mounting holes or drill $\frac{1}{2}$ " alternate locations.
 3. This sign is intended to be installed in accordance with the requirements of Article 600 of the Nationale Electric Code and/or other applicable codes. This includes proper grounding and bonding of the sign.

Single Section Indoor LED Scoreboard Installation		 Nevco, Inc. Greenville, Illinois 62246
Last ECO		
Drawn HW	Date 12/20/2017	Sheet 1 of 2

Rev	C
------------	----------

Model	Amps (120VAC)				Amps (240VAC)				A	B	C	D	E	Hanging
	-NL	-RL	-ETN-NL	-ETN-RL	-NL	-RL	-ETN-NL	-ETN-RL						
2700	0.51	0.57	0.72	N/A	0.26	0.29	0.36	N/A	3'	8'	8"	30"	12"	62 lbs.
2702	0.51	0.57	0.72	N/A	0.26	0.29	0.36	N/A	3'	10'	8"	30"	6"	80 lbs
2740	0.62	0.73	0.94	N/A	0.32	0.37	0.48	N/A	4'	12'	16"	48"	6"	118 lbs.
4707	0.89	1.06	1.21	1.27	0.45	0.53	0.61	0.64	4'	18'	52"	84 1/2"	50"	185 lbs.
4720	0.66	0.78	0.87	0.93	0.33	0.39	0.44	0.47	3'	16'	56"	78"	54"	136 lbs.
4721	0.78	0.95	0.99	1.10	0.39	0.48	0.50	0.55	3'	16'	56"	78"	54"	148 lbs.
4725	0.72	0.89	0.93	1.04	0.36	0.45	0.47	0.52	3'	16'	56"	78"	54"	140 lbs.
4755	0.48	0.54	0.69	N/A	0.24	0.27	0.35	N/A	3'	8'	8"	30"	12"	65 lbs.
4765	0.19	0.3	0.4	0.45	0.1	0.15	0.2	0.23	3'	5'	9"	30"	6"	40 lbs.
4770	0.84	1.1	1.16	1.32	0.42	0.55	0.58	0.66	5'	12'	16"	48"	6"	148 lbs.
9710	0.32	0.35	N/A	N/A	0.16	0.18	N/A	N/A	3'	5'	9"	20 1/2"	6"	40 lbs.

Single Section Indoor LED Scoreboard Installation		 Nevco, Inc. Greenville, Illinois 62246
Last ECO		
Drawn HW	Date 12/20/2017	Sheet 2 of 2