
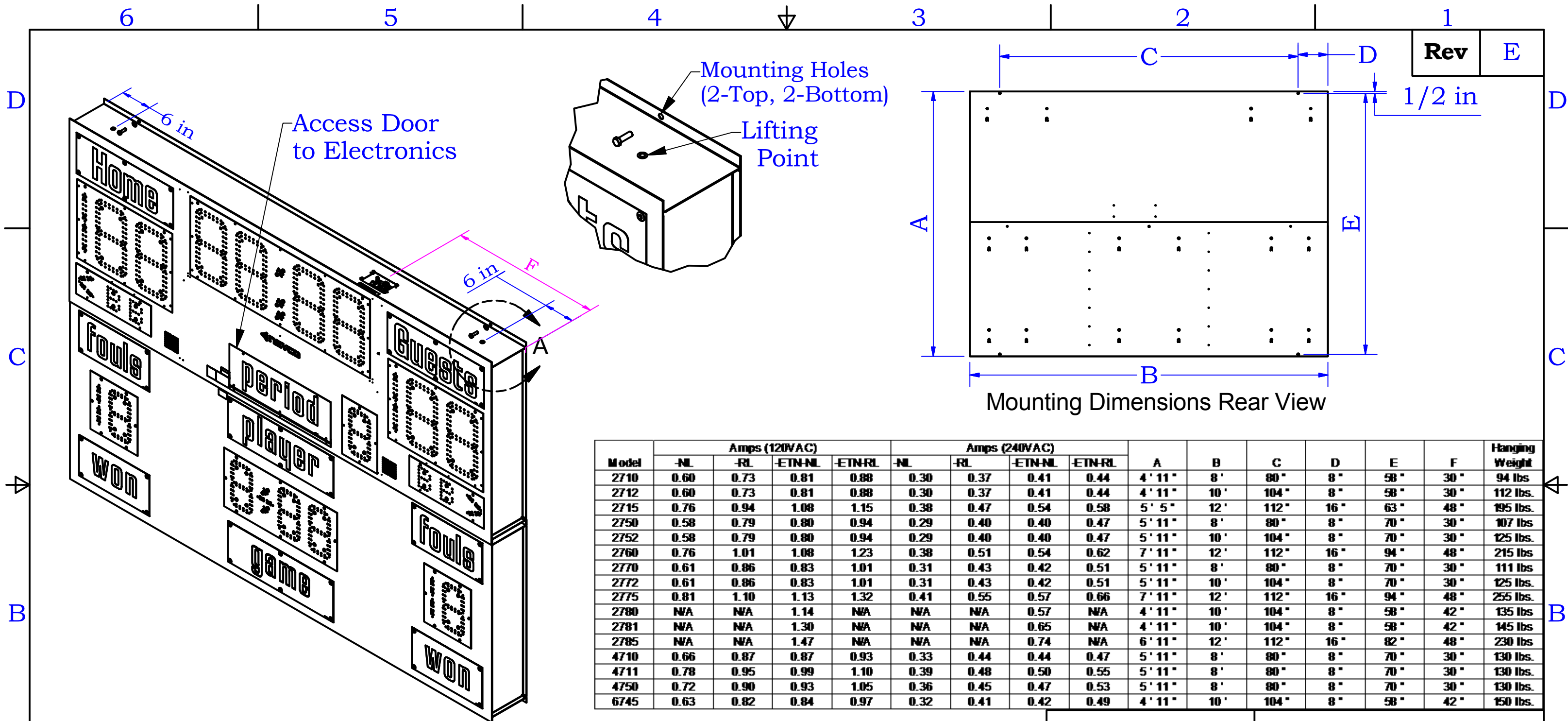


Model	ILM Plug 1/Func.	ILM Plug 2/Func.	ILM Plug 3/Func.	ILM Plug 4/Func.	ILM Plug 5/Function	ILM Plug 6/Func.	ILM Plug 7/Function	ILM Plug 8/Function	ETN 1	EC 2
2740 / 2742	TIME	HOME SCORE	GUEST SCORE	PERIOD	H. FOULS, PLYR & FOULS, G. FOULS	NOT USED	NOT USED	NOT USED	Home & Guests	NOT USED
2745	TIME	HOME SCORE	GUEST SCORE	PERIOD	H. FOULS, PLYR & FOULS, G. FOULS	NOT USED	NOT USED	NOT USED	Home & Guests	NOT USED
2750 / 2752	TIME	HOME SCORE	GUEST SCORE	PERIOD	H. FOULS, PLYR & FOULS, G. FOULS	NOT USED	NOT USED	NOT USED	Home & Guests	NOT USED
2760	TIME	HOME SCORE	GUEST SCORE	PERIOD	H. FOULS, PLYR & FOULS, G. FOULS	NOT USED	NOT USED	NOT USED	Home & Guests	NOT USED
2770 / 2772	TIME	HOME SCORE	GUEST SCORE	PERIOD	H. FOULS, PLYR & FOULS, G. FOULS, T.O.L.	NOT USED	NOT USED	NOT USED	Home & Guests	NOT USED
2775	TIME	HOME SCORE	GUEST SCORE	PERIOD	H. FOULS, PLYR & FOULS, G. FOULS, T.O.L.	NOT USED	NOT USED	NOT USED	Home & Guests	NOT USED
2780	TIME	HOME SCORE	GUEST SCORE	PERIOD	H. FOULS, PLYR & FOULS, G. FOULS	NOT USED	NOT USED	NOT USED	Home & Guests	H. FOULS, PLYR & FOULS, G. FOULS
2781	TIME	HOME SCORE	GUEST SCORE	PERIOD	H. FOULS, PLYR & FOULS, G. FOULS, T.O.L.	NOT USED	NOT USED	NOT USED	Home & Guests	H. FOULS, PLYR & FOULS, G. FOULS, T.O.L.
2785	TIME	HOME SCORE	GUEST SCORE	PERIOD	H. FOULS, PLYR & FOULS, G. FOULS, T.O.L.	NOT USED	NOT USED	NOT USED	Home & Guests	H. FOULS, PLYR & FOULS, G. FOULS, T.O.L.
4710	TIME	HOME SCORE	GUEST SCORE	PERIOD	NOT USED	NOT USED	HOME PENALTY	GUEST PENALTY	Home & Guests	NOT USED
4711	TIME	HOME SCORE	GUEST SCORE	PERIOD	NOT USED	NOT USED	HOME PEN. & PLYR NO.	GUEST PEN. & PLYR NO.	Home & Guests	NOT USED
4750	TIME	HOME SCORE	GUEST SCORE	PERIOD	SHOTS ON GOAL	NOT USED	HOME PENALTY	GUEST PENALTY	Home & Guests	NOT USED
8745	TIME	HOME SCORE	GUEST SCORE	LANES & EVENT	NOT USED	NOT USED	NOT USED	NOT USED	Home & Guests	NOT USED

Notes:

1. Set the top on the bottom cabinet section.
2. The Top cabinet face overlaps the bottom.
3. Open "Period" door and attach the sections together using the (3) provided bolts/washers. Bolts must be 1 3/4" long.
4. Pull the wires up through the 2" grommet.

Multi-Section Indoor LED Scoreboard Installation		 Nevco, Inc. Greenville, Illinois 62246	
Drawn DLP	Date 9/26/2016	Sheet 1 of 2	



Notes:

1. Lifting Point 3/8"-16 Eyebolts can be threaded into the lifting point to lift the scoreboard for mounting or for suspension mount. Eyebolts can be removed after the scoreboard is mounted.
2. Mount Scoreboard securely using 3/8" bolts or anchors and supplied washers using the existing mounting holes or drill 1/2" alternate locations.
3. This sign is intended to be installed in accordance with the requirements of Article 600 of the Nationale Electric Code and/or other applicable codes. This includes proper grounding and bonding of the sign.

Multi-Section
Indoor LED
Scoreboard
Installation



Nevco, Inc.
Greenville, Illinois 62246

Last ECO

Drawing No. 241-0284

Drawn
DLP

Date
9/26/2016

Sheet 2 of 2