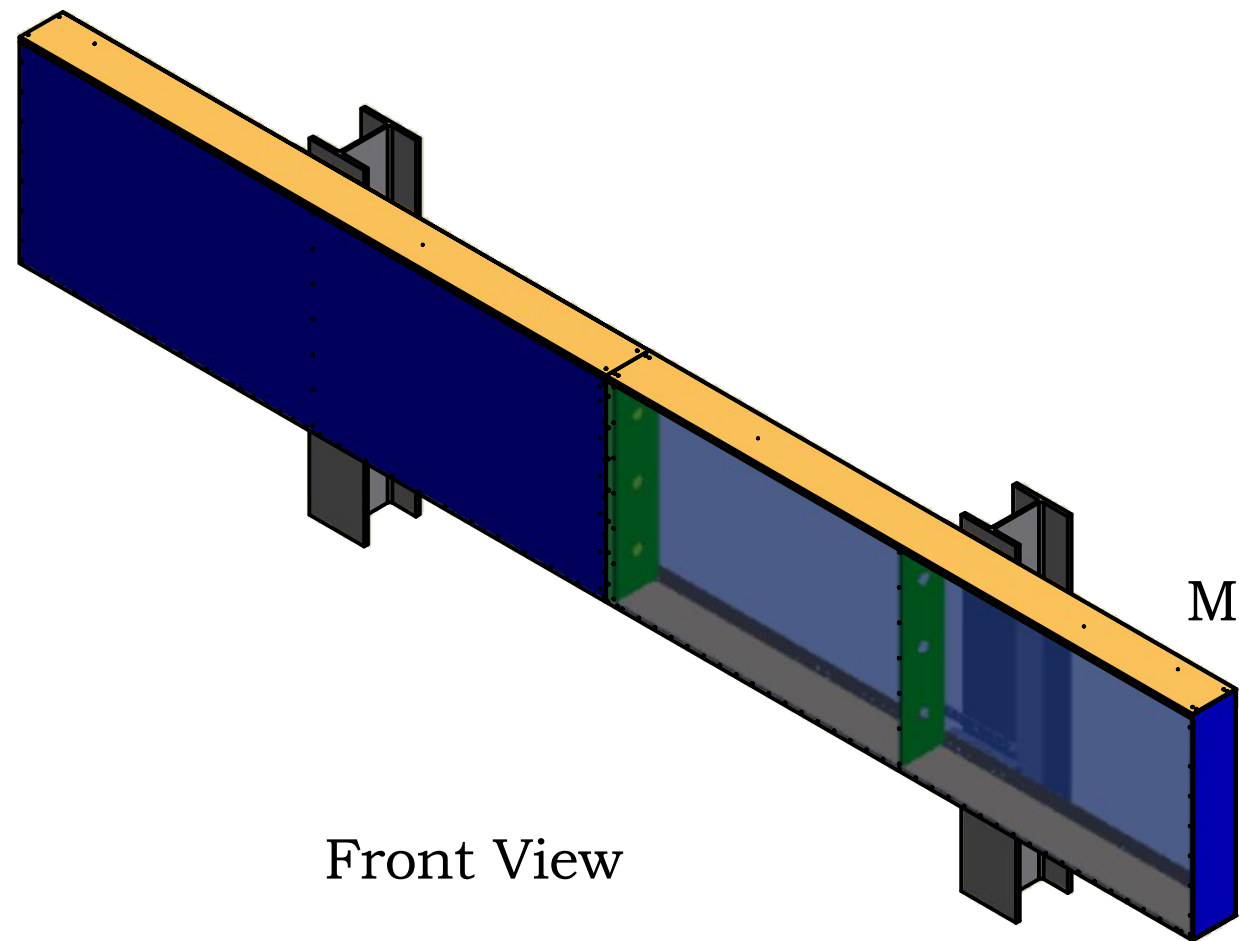


ADO or ADLO Style Sign Installation Instructions

Completed Installation

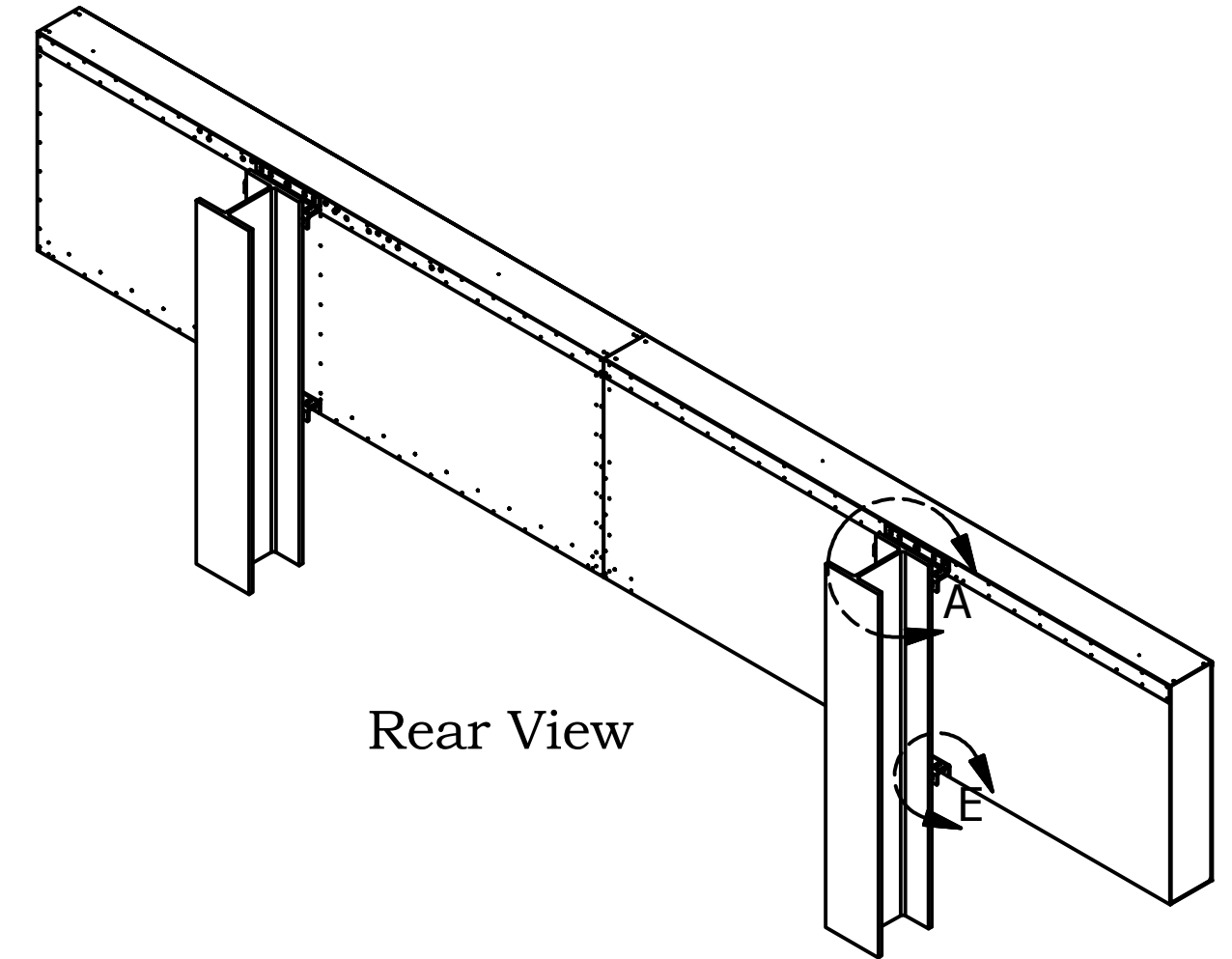
This sign is rated at 150 mph when mounted to columns at factory manufactured mounting locations. Mounting signs to columns in any other configuration can affect the integrity of the sign. ADO Signs weigh approximately 2.2 lbs/ft². ADLO Signs weigh 3.2 lbs/ft²

Rev	D
-----	---

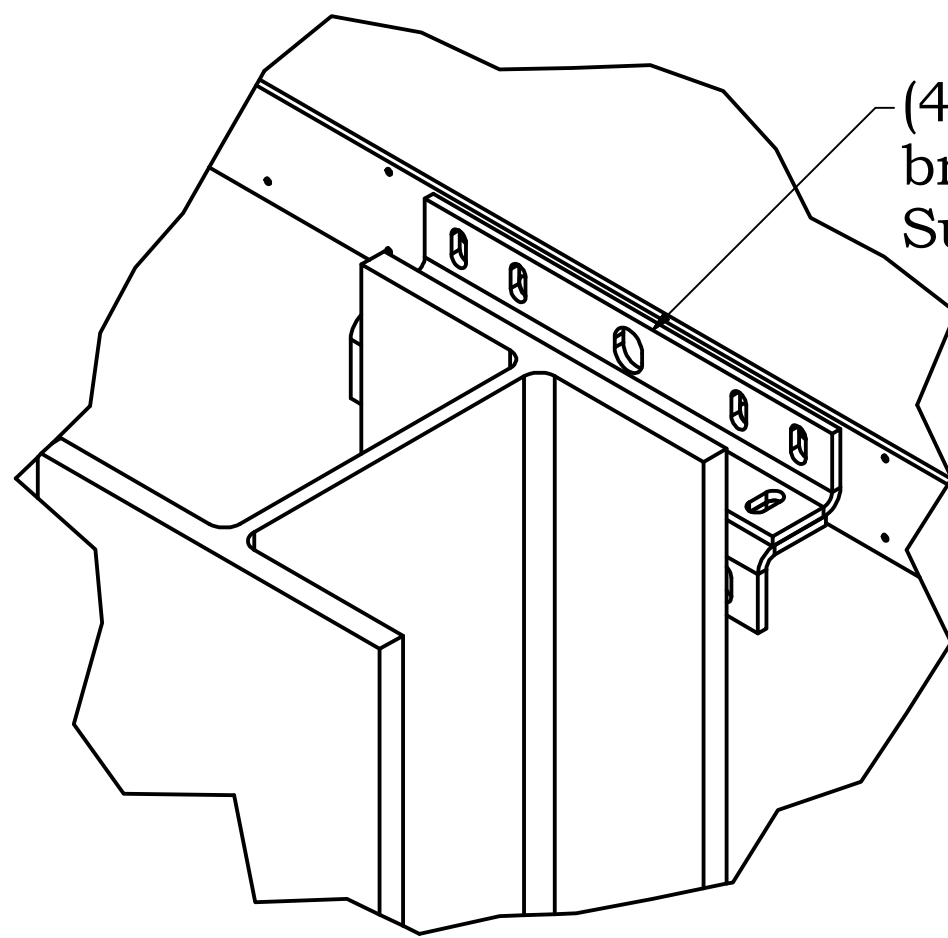


Front View

Max sign height: 5 ft

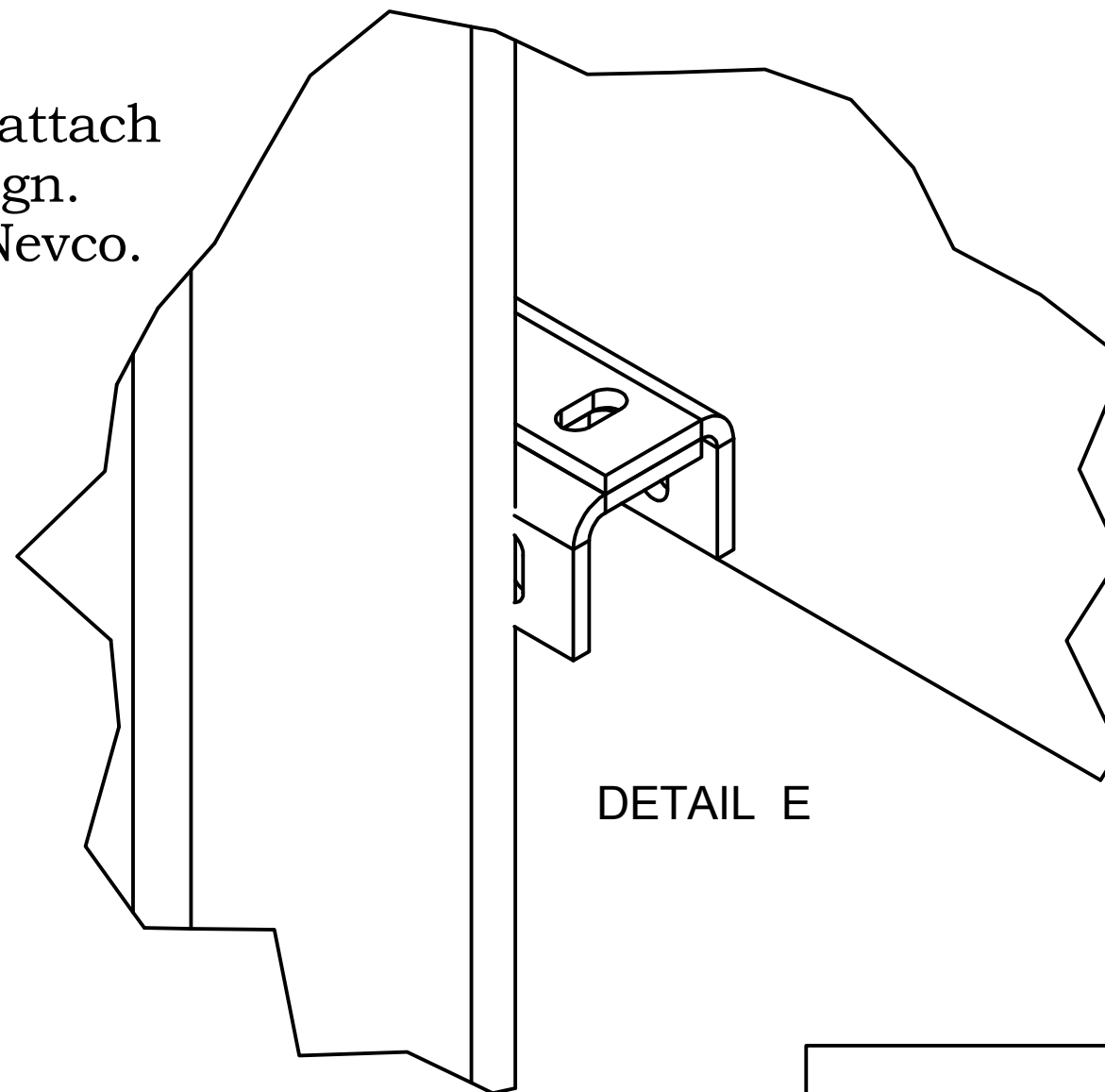


Rear View



DETAIL A

(4) 3/8 Bolts attach brackets to sign. Supplied by Nevco.



DETAIL E

Enlarged Column Connection Detail

Installation
ADO/ADLO Signs



Nevco, Inc.
Greenville, Illinois 62246

Drawing No. 241-0357

Drawn WHP

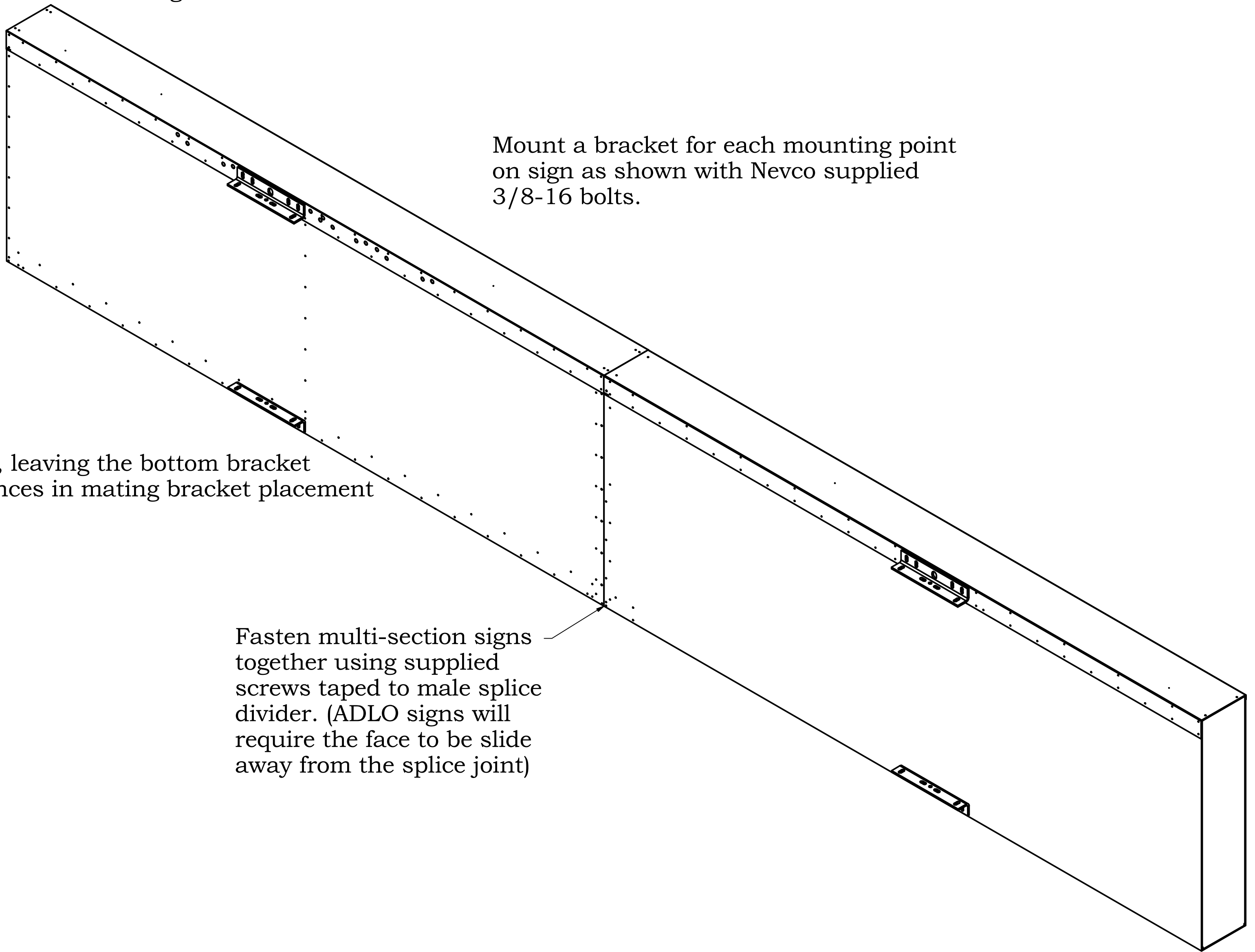
Date 5/4/2015

Sheet 1 of 8

ADO/ADLO Sign Installation Step One

Mount Nevco provided angle brackets to sign.

Rev	D
-----	---



Mount a bracket for each mounting point on sign as shown with Nevco supplied 3/8-16 bolts.

When attaching brackets, leaving the bottom bracket loose can allow for tolerances in mating bracket placement on the steel columns.

Fasten multi-section signs together using supplied screws taped to male splice divider. (ADLO signs will require the face to be slide away from the splice joint)

Installation
ADO/ADLO Signs



Nevco, Inc.
Greenville, Illinois 62246

Drawing No. 241-0357

Drawn WHP

Date 5/4/2015

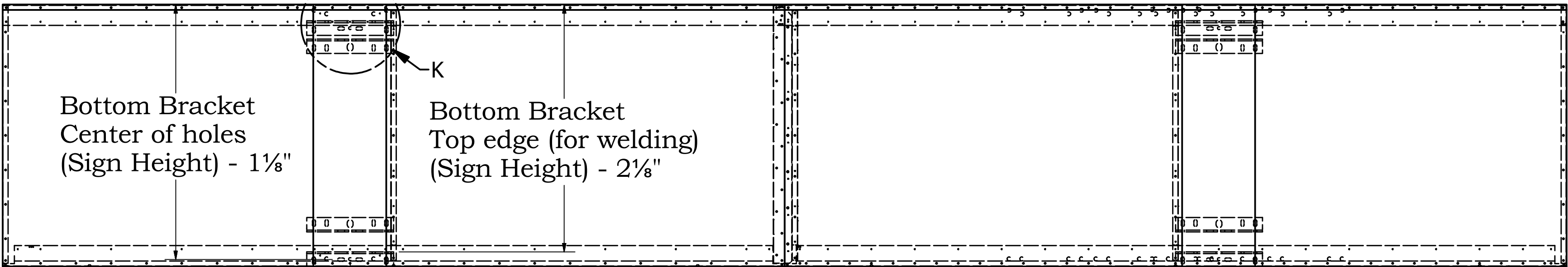
Sheet 2 of 8

ADO Sign Installation Step Two

Mount column brackets on column as shown.
Mounting bracket layout front view.

Note: If sign is mounted with scoreboard installed on laterals, the sign also requires the same sized laterals. See scoreboard lateral installation for lateral details.

Brackets mounted on sign not shown for clarity.



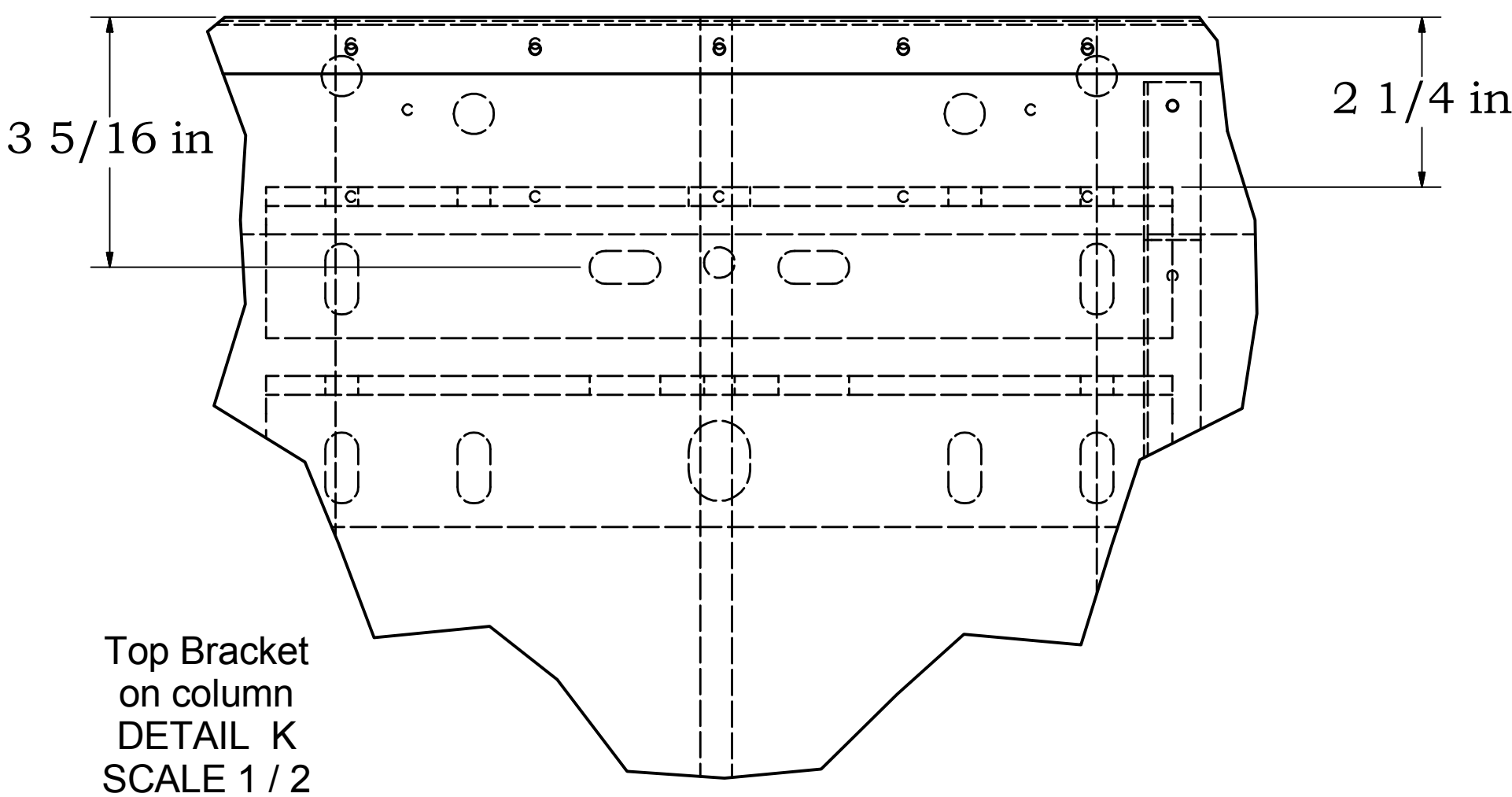
Bottom Bracket
Center of holes
(Sign Height) - 1 1/8"

Bottom Bracket
Top edge (for welding)
(Sign Height) - 2 1/8"

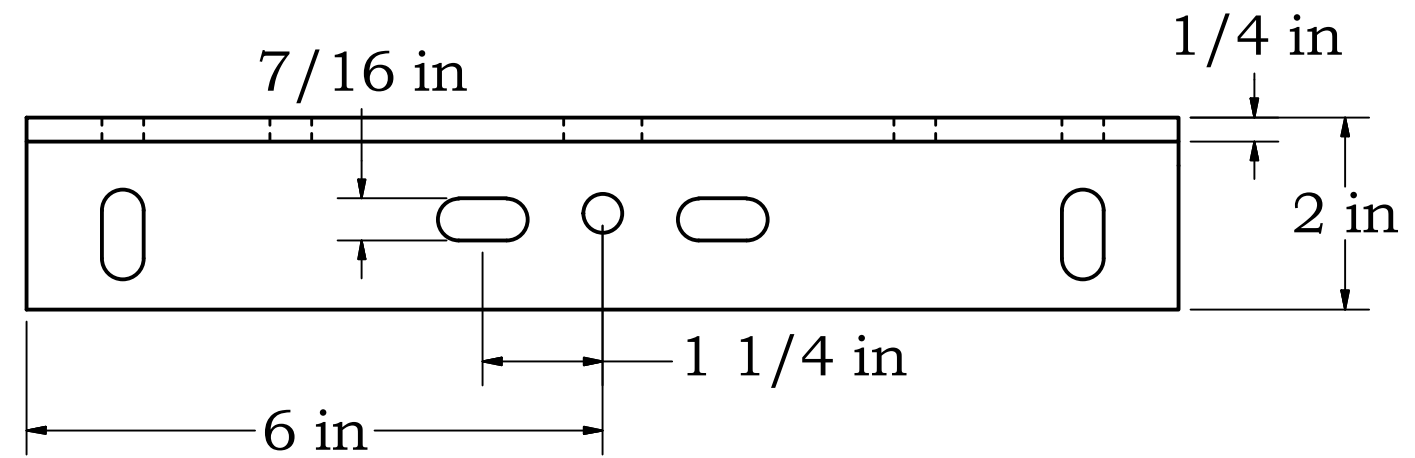
1 1/4 in

If bolting to columns drill 7/16" diameter holes. Use 3/8" bolts minimum, supplied by others


If welding the brackets to the column. Nevco recommends mounting only the top two brackets on the columns and bolting the bottom two brackets on the sign. This way they can be clamped and welded wherever they fall.



Top Bracket
on column
DETAIL K
SCALE 1 / 2

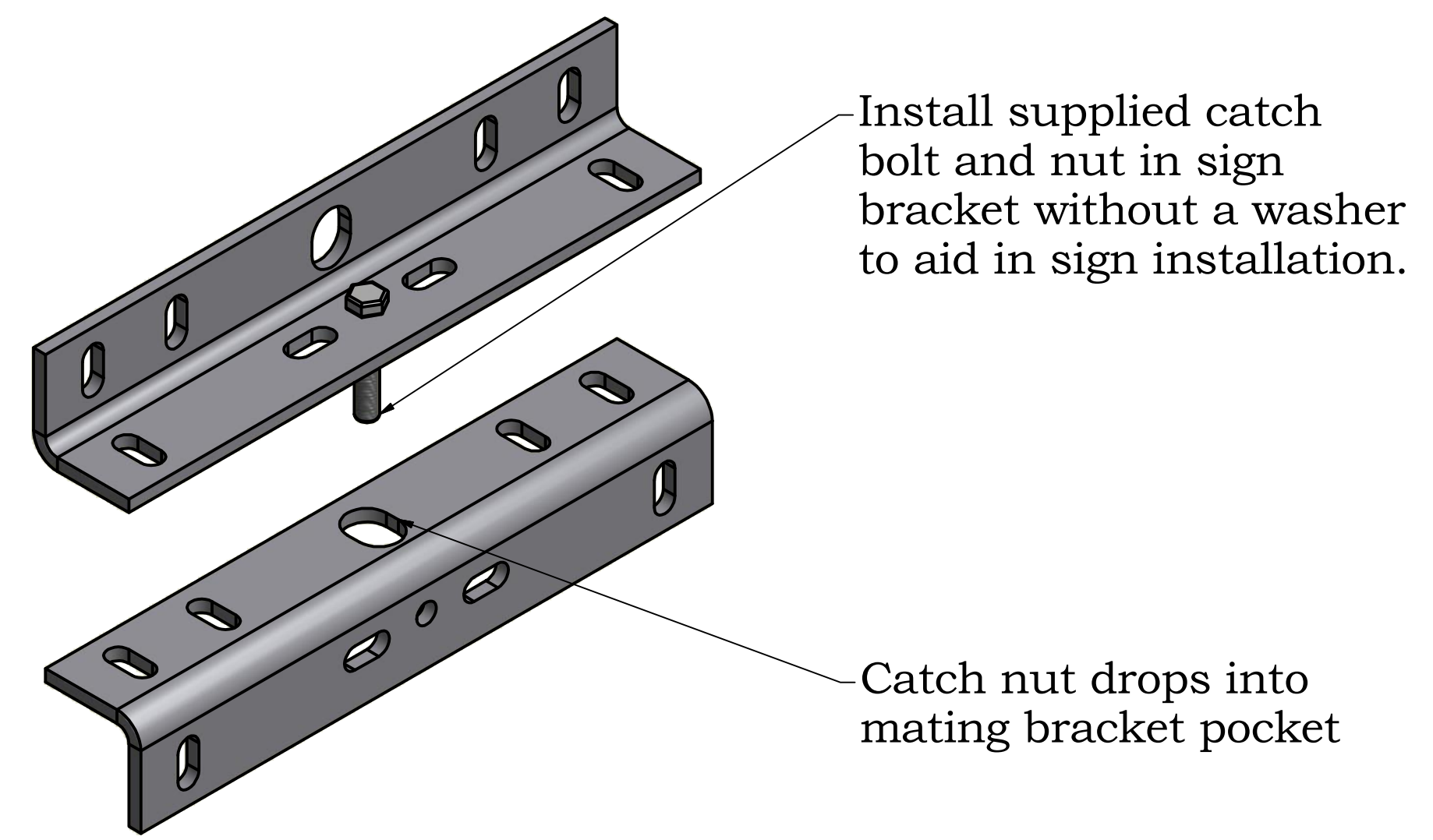
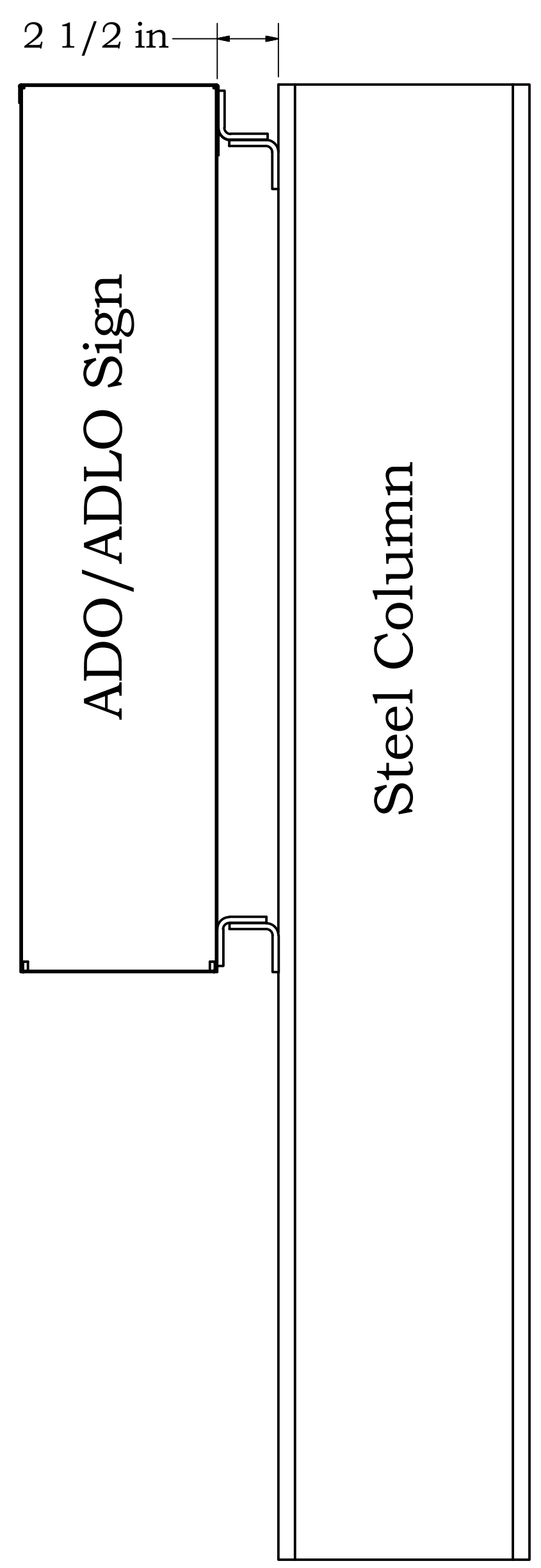



Mounting Bracket Detail
SCALE 1 / 2

<p>Installation ADO/ADLO Signs</p>			
		<p>Nevco, Inc. Greenville, Illinois 62246</p>	
<p>Drawn WHP</p>		<p>Drawing No. 241-0357</p>	
<p>Date 5/4/2015</p>		<p>Sheet 3 of 8</p>	

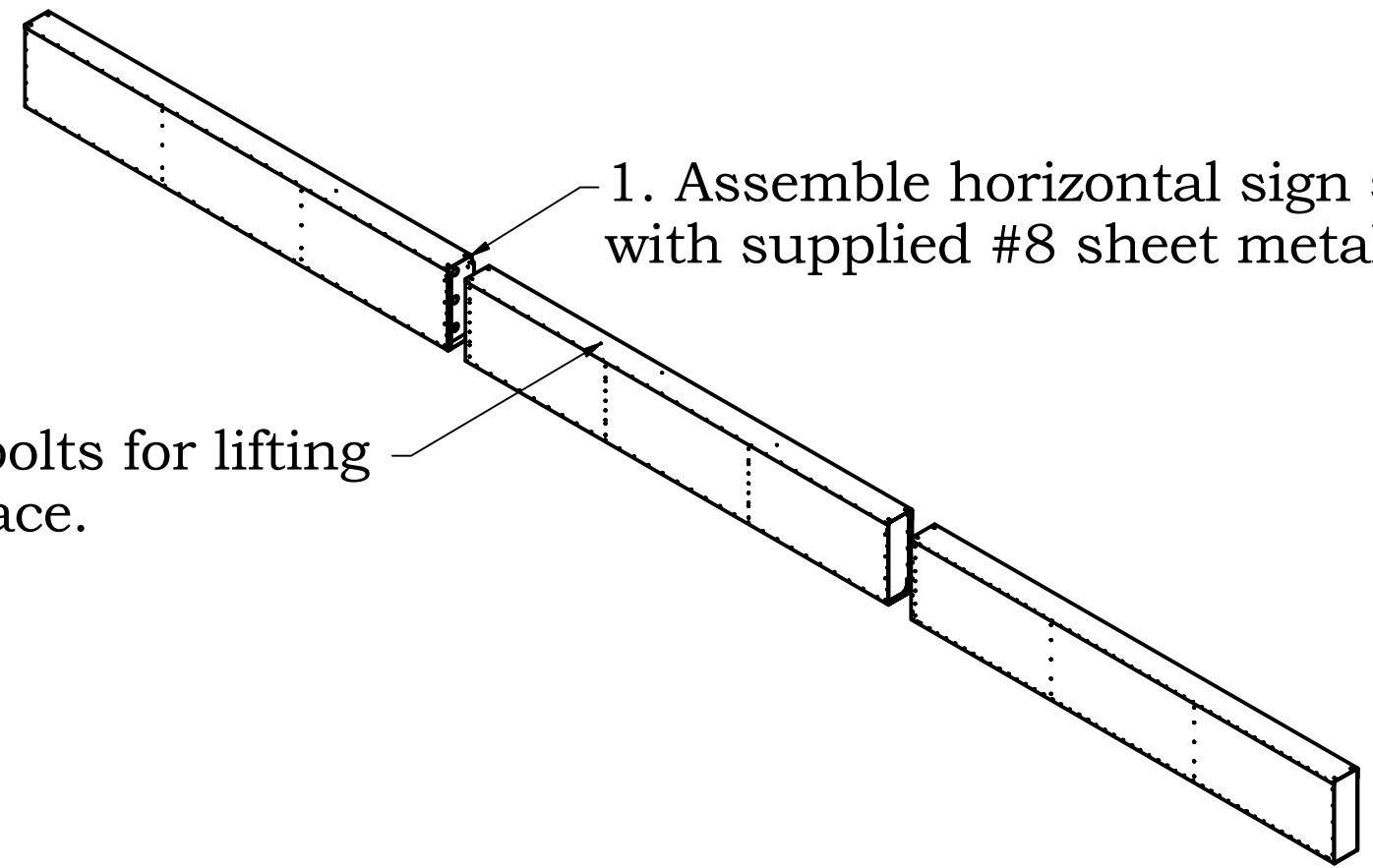
ADO Sign Installation Step Two Cont.

Mounting bracket layout side view.
 The 2 1/2" spacing from the column
 is nominal. Slotted holes in the
 brackets allow for 1" total adjustment



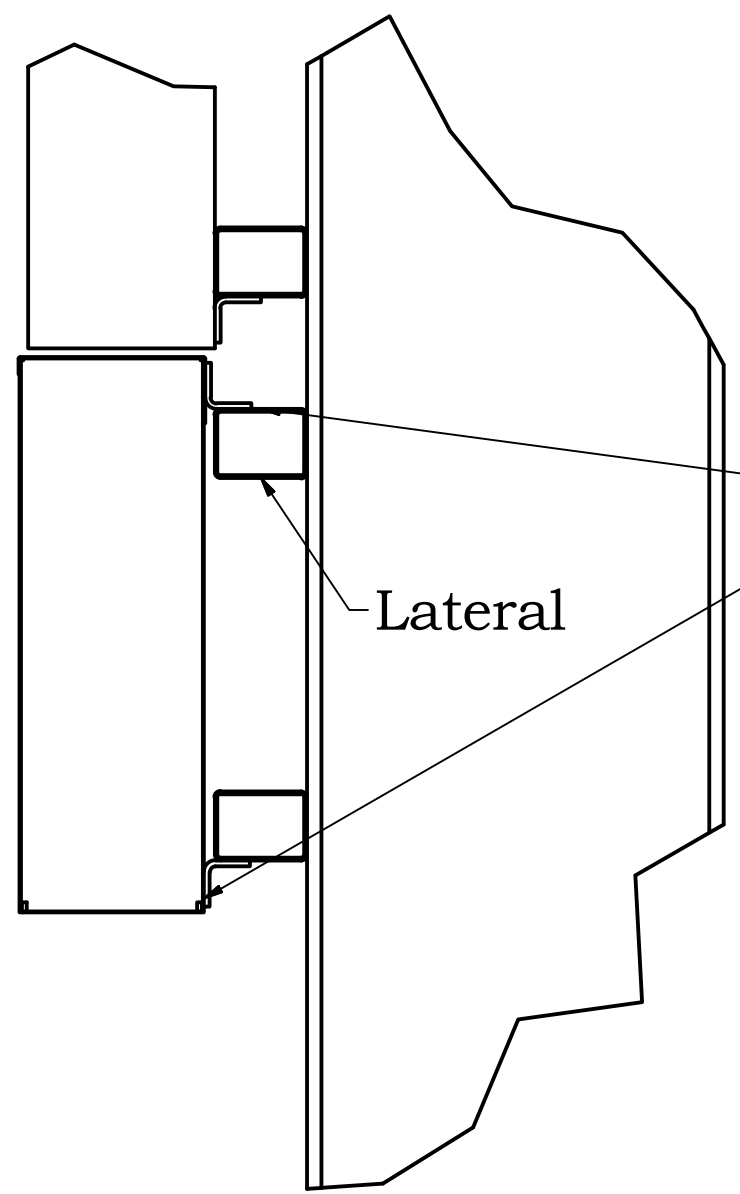
Installation ADO/ADLO Signs		 Neveco, Inc. Greenville, Illinois 62246	
		Drawing No. 241-0357	
Drawn WHP	Date 5/4/2015	Sheet 4 of 8	

Installing ADO Signs onto Laterals



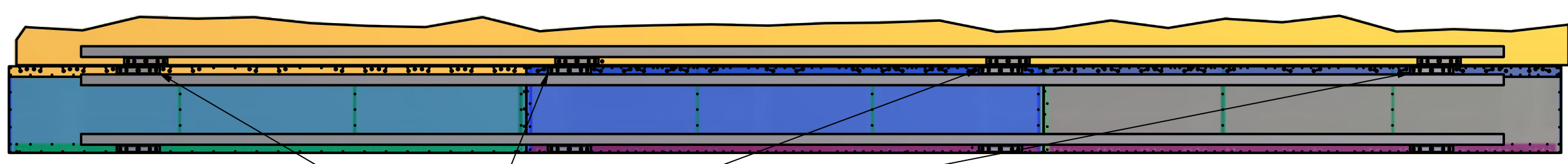
1. Assemble horizontal sign sections with supplied #8 sheet metal screws

2. Install eye bolts for lifting cabinet into place.



Lateral

3. Install brackets to signs using (4) ea. $\frac{3}{8} \times \frac{1}{4}$ " serrated flange bolts, supplied by Nevco. Note orientation of brackets according to bracket orientation labels on the back of the sign cabinets. The bottom bracket can be left loose to accomodate adjustment for lateral placement.



4. Install sign by bolting or welding bracket to lateral.

Installation
ADO/ADLO Signs



Nevco, Inc.
Greenville, Illinois 62246

Drawing No. 241-0357

Drawn WHP

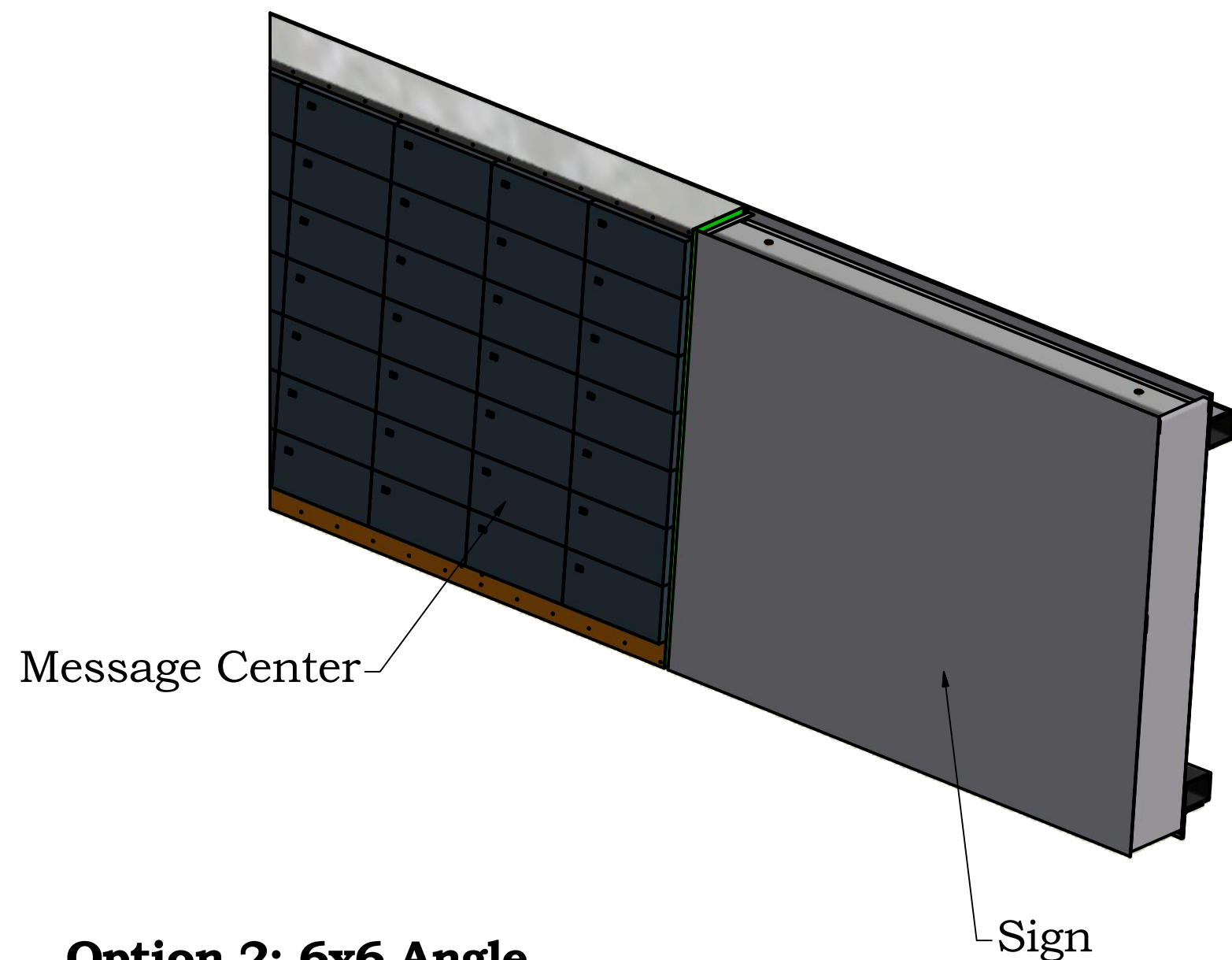
Date 5/4/2015

Sheet 5 of 8

ADO/ADLO Sign Installation Step Two Cont.

Special case of sign mounted next to message center.

Option 1: Tube and angle



Angle provided by others.

Sign Back

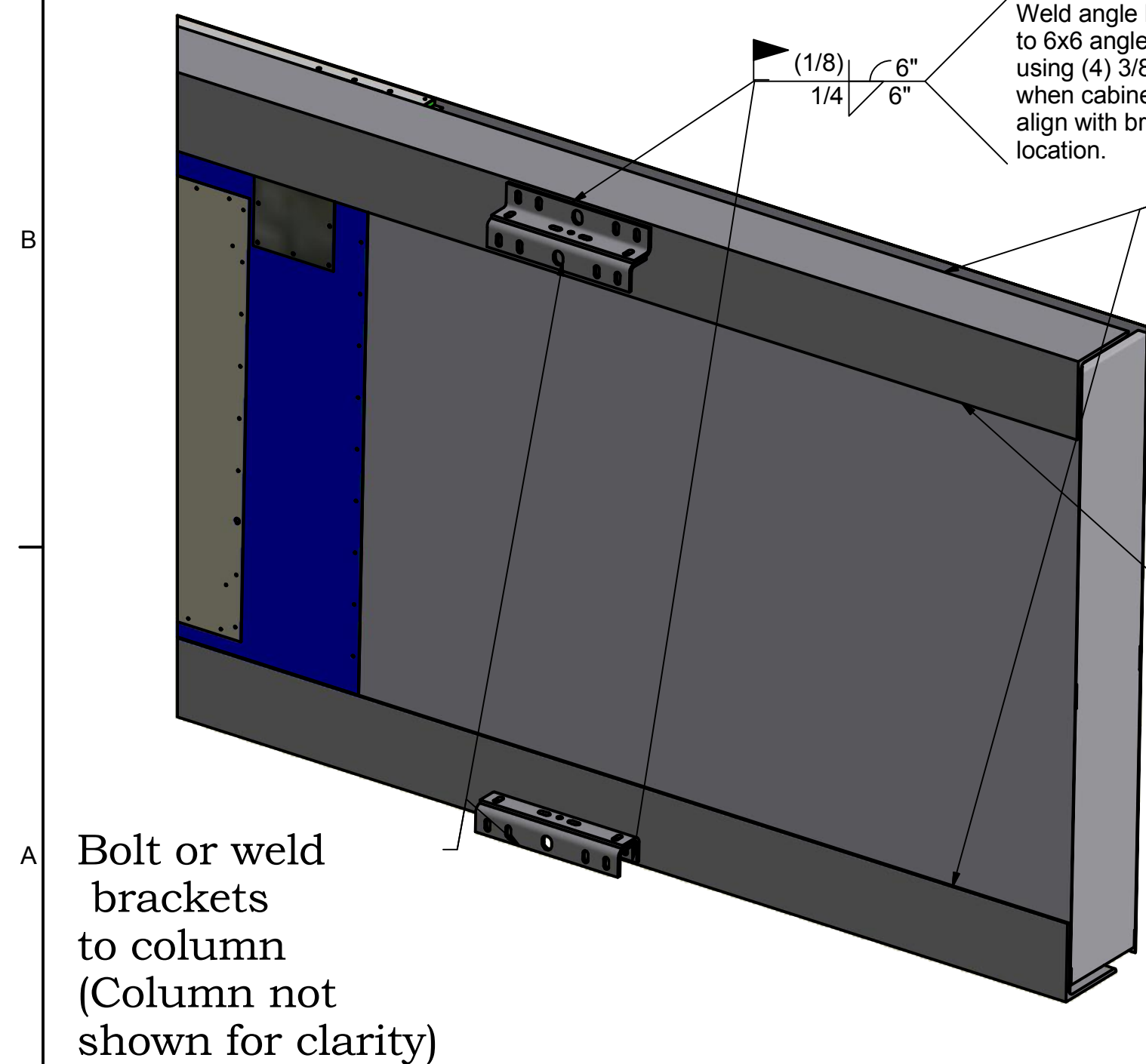
Message Center Back

Extend angle and laterals used to mount message center to end of sign and mount sign to angle with 3/8-16 bolts.

Angle or tube steel provided by others.

Signs next to message centers do not use the 12" slotted angle brackets used for signs that are mounted to column.

Option 2: 6x6 Angle




2x2 Angle provided by others.

Message Center Back

Extend angle used to mount message center to end of sign and mount sign to angle with 3/8-16 bolts.

Max distance of 4' from edge of sign to last bracket

(1) 3/8 bolt required for each sign mounting location on top lateral and (1) 3/8 bolt required for each sign mounting location on bottom lateral.

Installation ADO/ADLO Signs		 Nevco, Inc. Greenville, Illinois 62246	
Drawn WHP		Date 5/4/2015	
Drawing No. 241-0357		Sheet of 6 8	

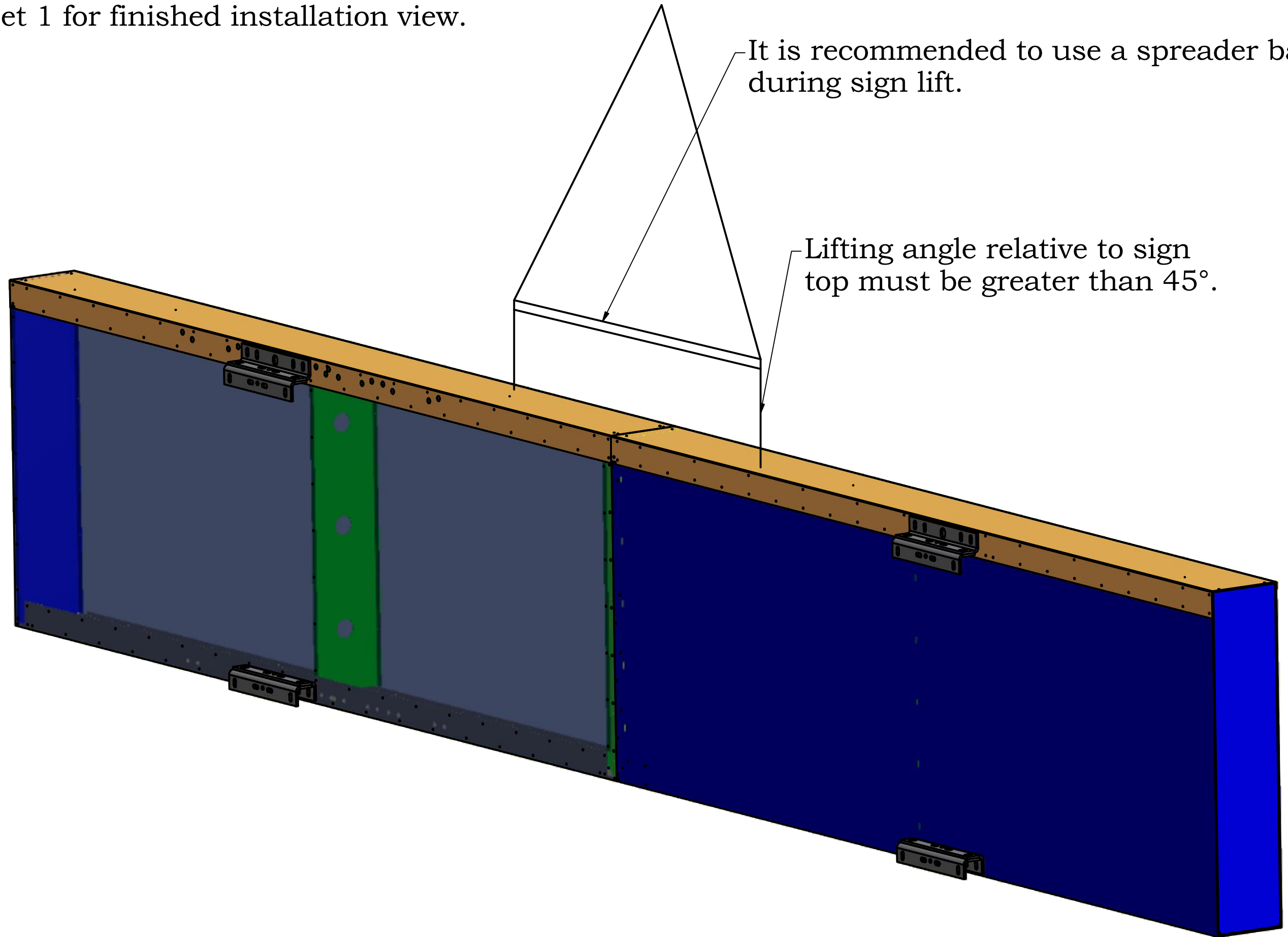
ADO/ADLO Sign Installation Step Three

Lift sign to mounted brackets securing sign to brackets with Nevco provided 3/8-16 bolts. 2 each connection.

See Sheet 1 for finished installation view.

It is recommended to use a spreader bar during sign lift.

Lifting angle relative to sign top must be greater than 45°.



Installation
ADO/ADLO Signs



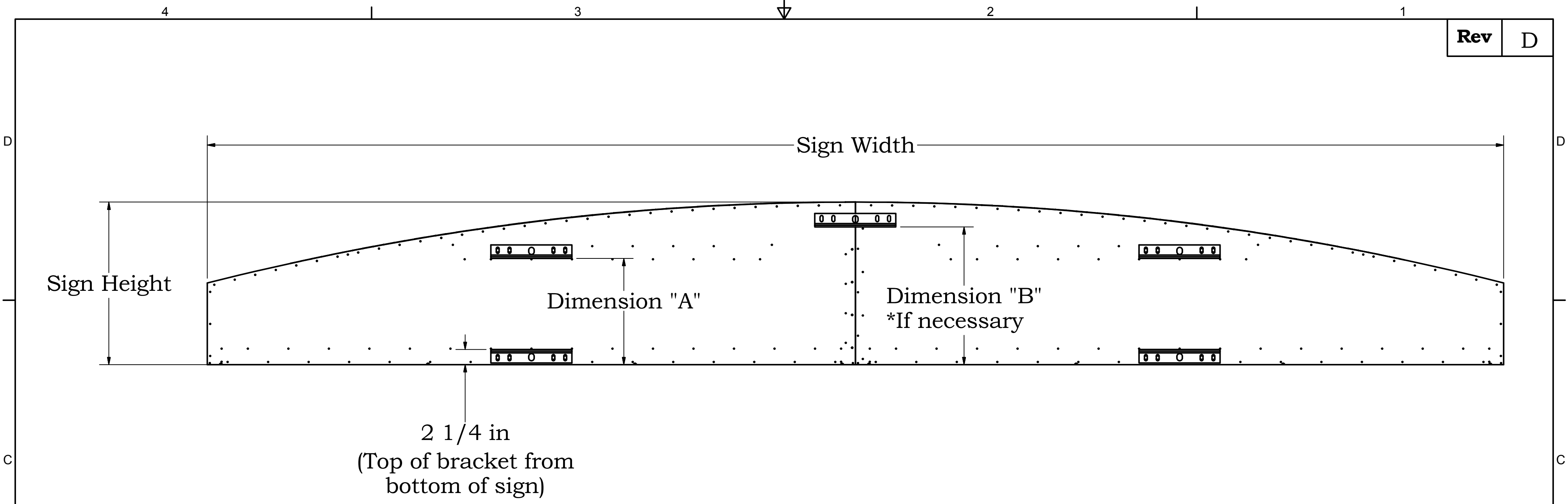
Nevco, Inc.
Greenville, Illinois 62246

Drawing No. 241-0357

Drawn WHP

Date 5/4/2015


Sheet 7 of 8



Part Number	Sign Width x Height	A (Distance from bottom)	B (Distance from bottom)
870-0071	8 x 2	11.38 in	---
870-0109	8 x 3	23.38 in	---
870-0035	10 x 2	9.15 in	---
870-0098	10 x 3	14.25 in	---
870-0096	12 x 3	18.35 in	---
870-0081	14 x 4	28.13 in	---
870-0029	16 x 2	15.75 in	---
870-0048	16 x 3	23.50 in	---
870-0093	16 x 3	27.50 in	---
870-0022	18 x 2	15.75 in	---
870-0018	18 x 3	21.75 in	---
870-0015	18 x 5	39.00 in	---
870-0086	24 x 2	13.78 in	19.66 in
870-0003	24 x 3	18.75 in	31.75 in
870-0038	24 x 4	30.85 in	43.85 in
870-0043	28 x 3	17.75 in	30.85 in
870-0068	32 x 4	23.00 in	41.34 in
870-0064	36 x 3	11.35 in	30.39 in
870-0032	36 x 4	21.50 in	42.00 in
870-0101	40 x 4	26.80 in	33.80 in

Notes:

- Dimension "A" and "B" are from bottom of sign to face of mounting bracket**
- Mounting brackets have 1/4" play up/down each way**
- *Dimension "B" is only applicable on larger signs with an additional mounting location**

ADO Arch Sign Installation Print		 Nevco, Inc. Greenville, Illinois 62246	
		Drawing No. 241-0357	
Drawn	JW	Date	5/4/2015
		Sheet	8 of 8