

Dimensions and Steel Requirements					
Model Number	Dim "A"	Dim "B"	Dim "C"	Tube Length	Cabinet Weight
9605B	72"	36"	5' 6"	16' 6"	60 lbs
PCD / PCD-1	60"	36"	5' 6"	16' 6"	50 lbs
DGT-6B	48"	48"	5'	17'	50 lbs
DGT-6-T14 FT-24-T14	48"	60"	5' 6"	18' 6"	60 lbs
PSD-6B	48"	48"	5'	17'	50 lbs
9651	60"	48"	5' 6"	17'	60 lbs
9620	48"	42"	5'	16' 6"	45 lbs
FT-24 / FT-30	48"	48"	5'	17'	55 lbs

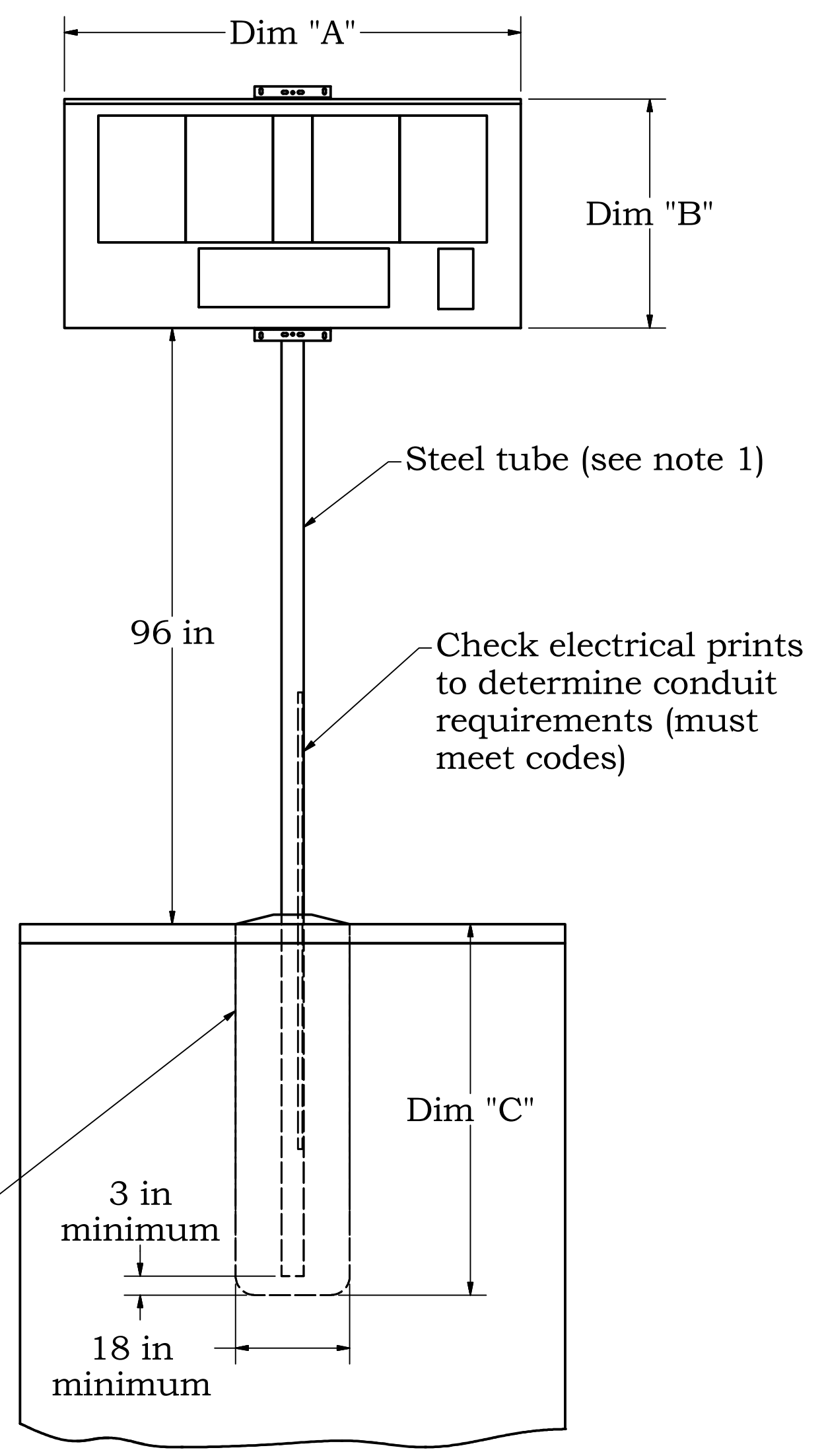
Notes:

1. Minimum steel tubing is 4" x 4" x 1/4" (ASTM A-500) at length shown. Tubing length shown will result in approximately 96" clearance to ground level. Trim tubing to achieve clearance if necessary.
2. Pier depth is figured with 96" clearance from bottom of cabinet to ground level.
3. Pier depth figured using Exposure "C"
4. Cabinets have extra knockouts on back for power and signal to accomodate lateral or column installation


**Important. Read before installation\***

This is not an engineered drawing. It is intended for representation purposes only. The dimensions called out on this drawing are intended to be used as a guide only, and are not intended to be suitable for all conditions. Information specific to the scoreboard being used, such as assembly instructions and electrical connections, may be found in the installation manual for that scoreboard.

**Nevco recommends that you consult a professional engineer or architect** familiar with the area before attempting installation. They can verify that the brackets, screws, and other hardware items supplied by you or Nevco are adequate for your local soil conditions, wind loads and other conditions. If procedures are used that are not covered in this drawing, careful analysis of the installation is urged.

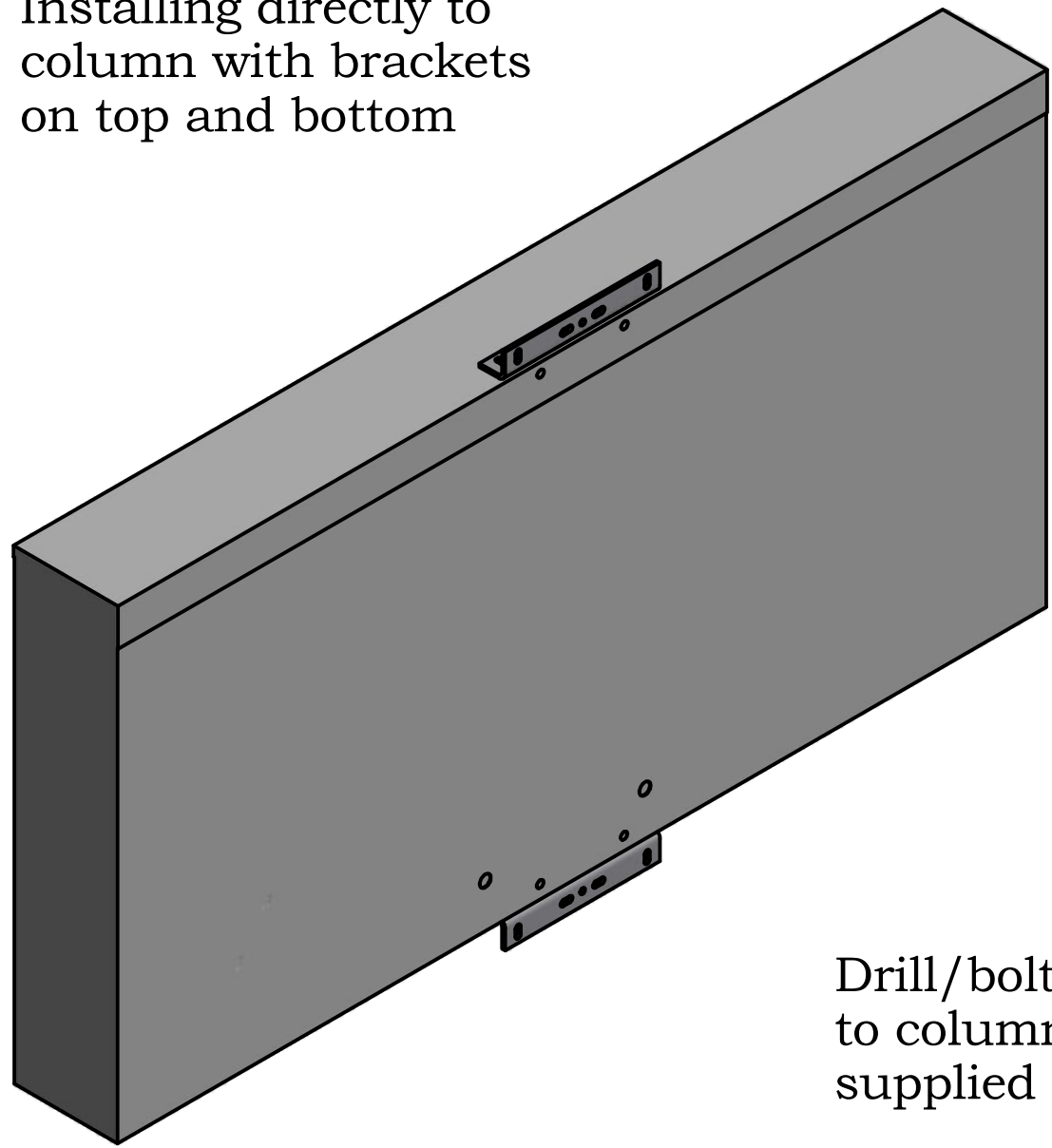


**Front View  
(9605 shown)**

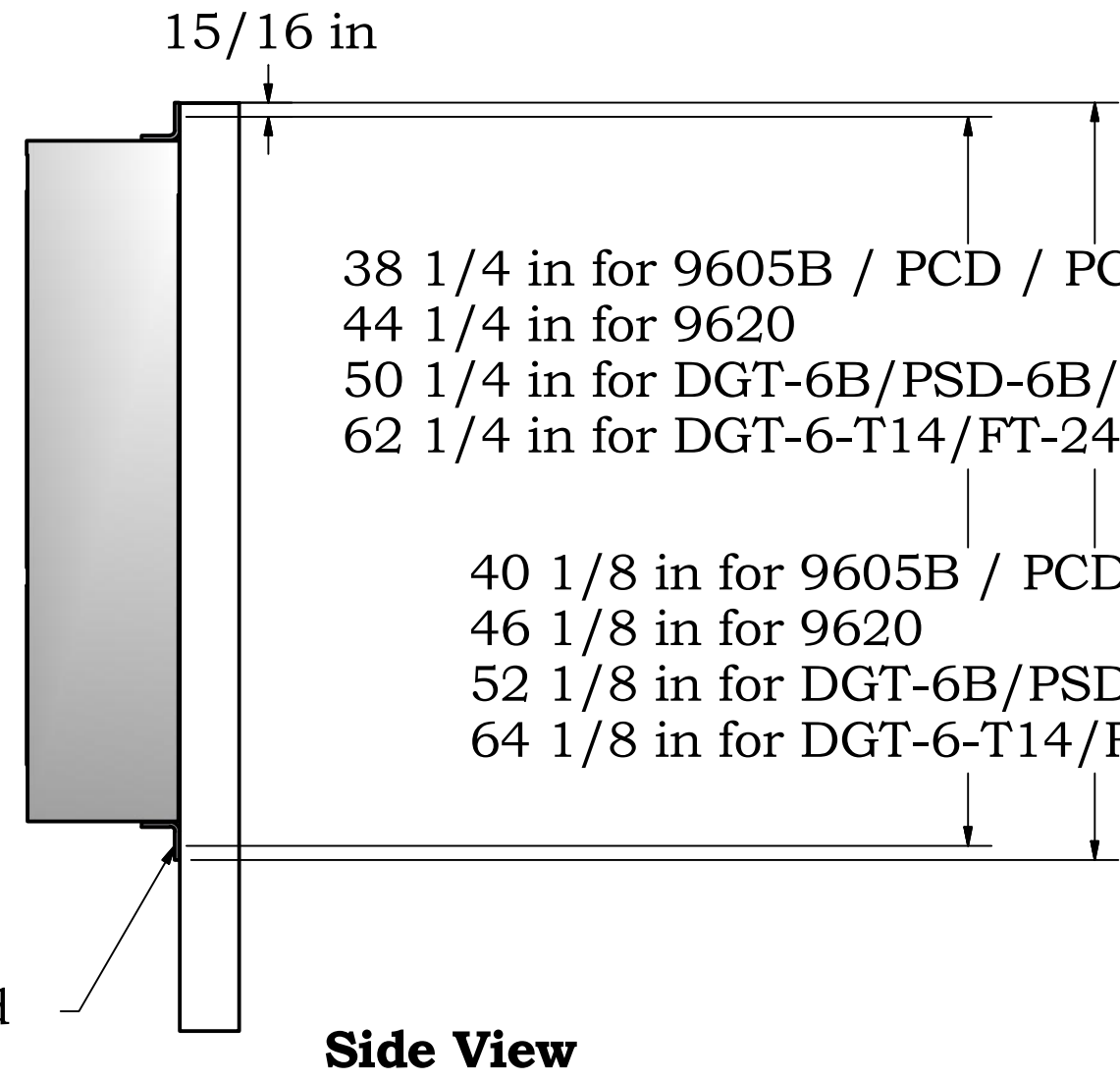
Installation for Single Section Scoreboard Requiring One Column			
		Nevco, Inc. Greenville, Illinois 62246	
Drawing No. 241-0367		Sheet 1 of 3	
Drawn WHP	Date 11/16/2018		

**Mounting method 1.**

Installing directly to column with brackets on top and bottom

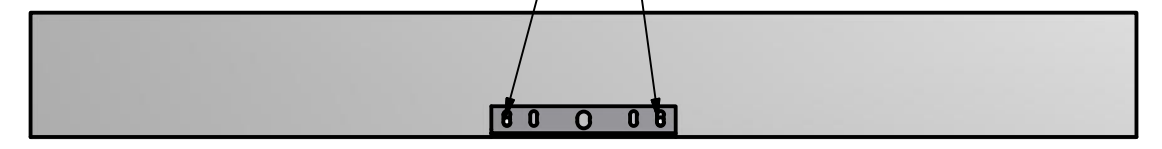


Drill/bolt or weld to column (bolts supplied by others)



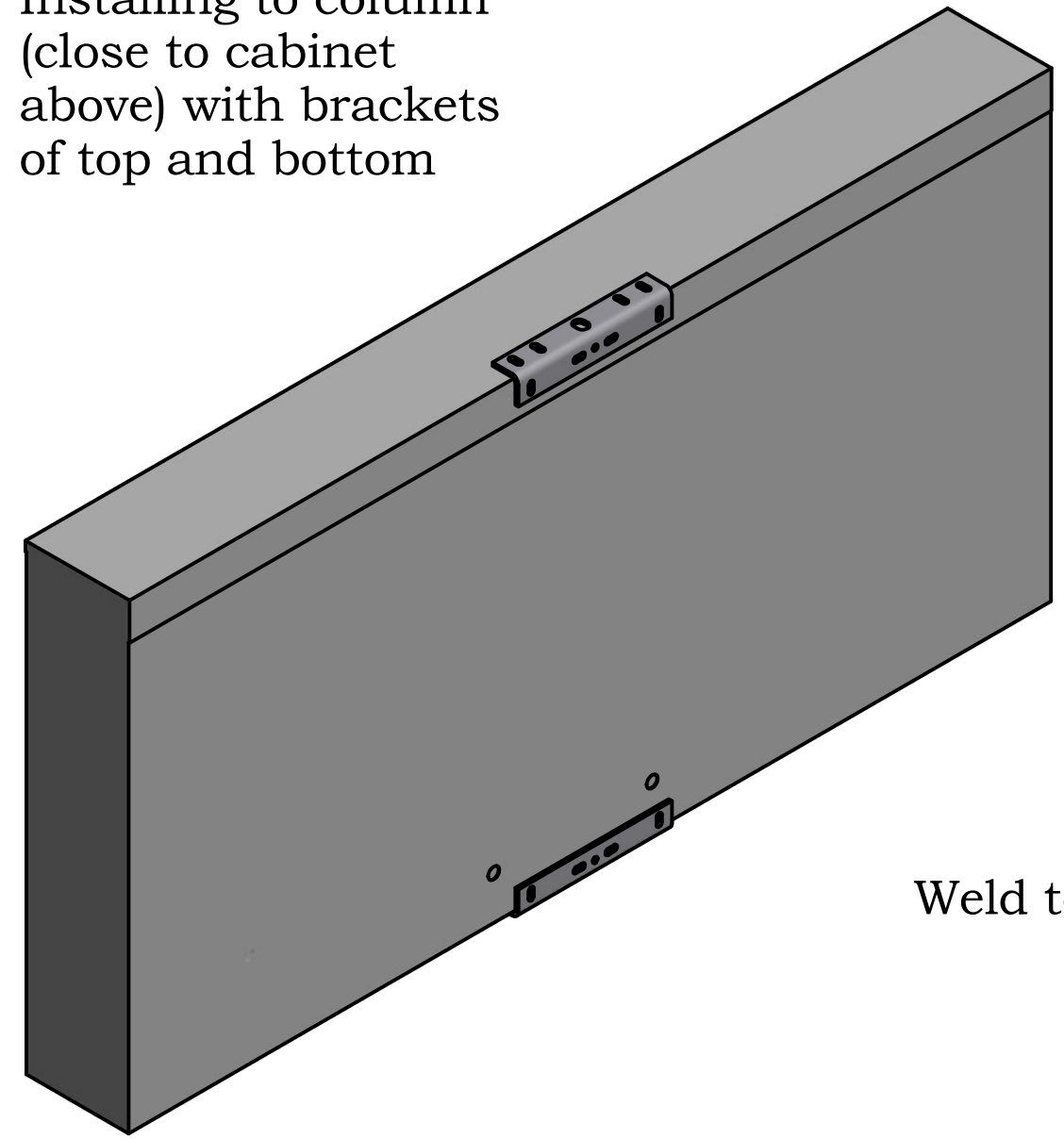
**Side View**

Connect bracket to cabinet (top and bottom) with 1" bolts provided by Nevco at these locations

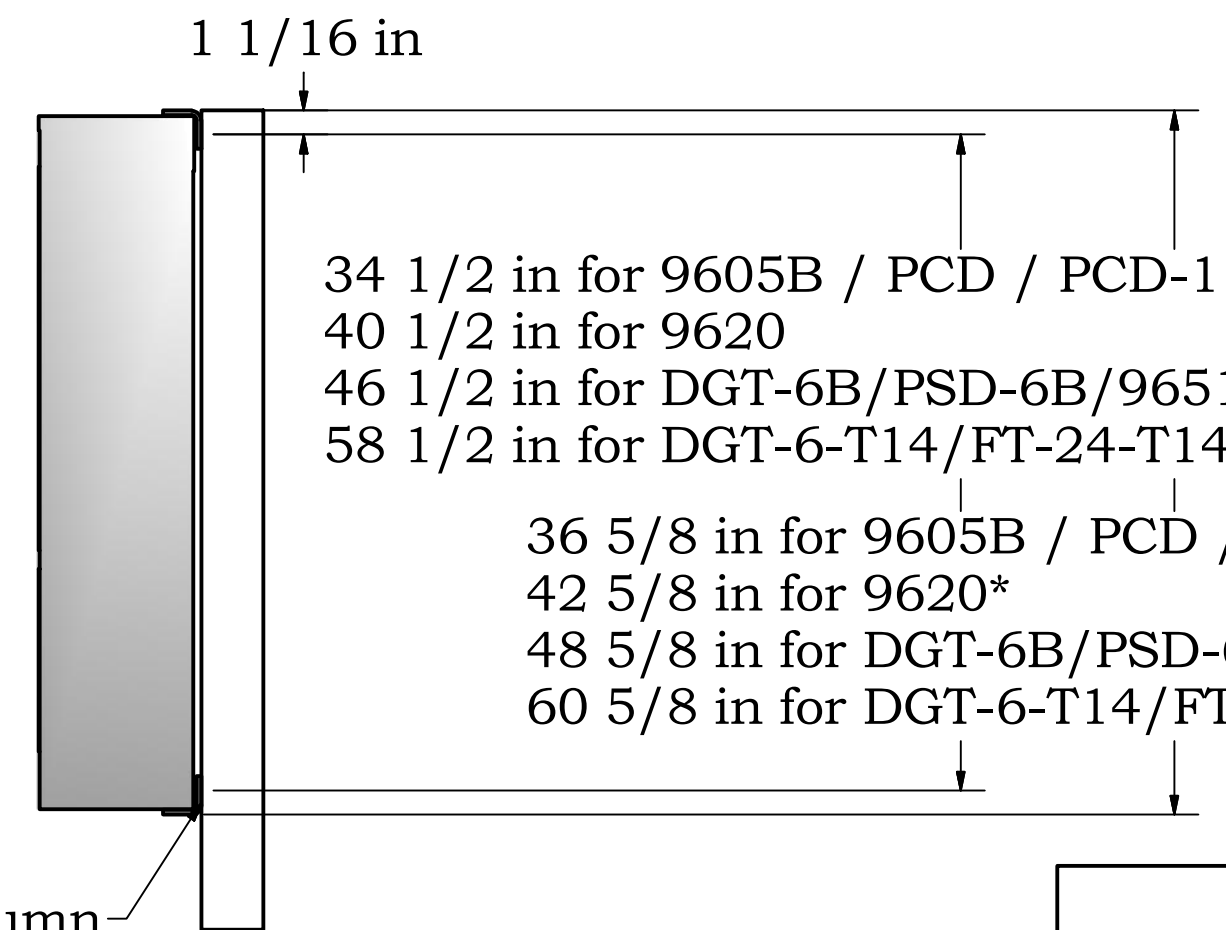


**Mounting Method 2.**

Installing to column (close to cabinet above) with brackets of top and bottom

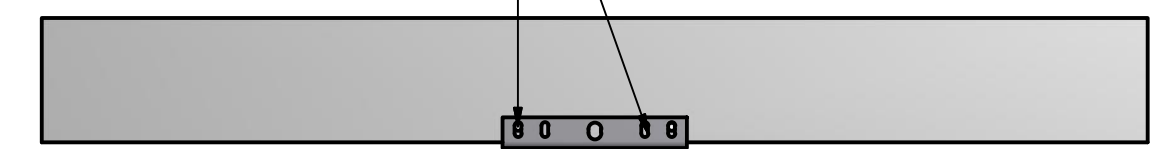


Weld to column




**Side View**

Connect bracket to cabinet (top and bottom) with 1" bolts provided by Nevco at these locations

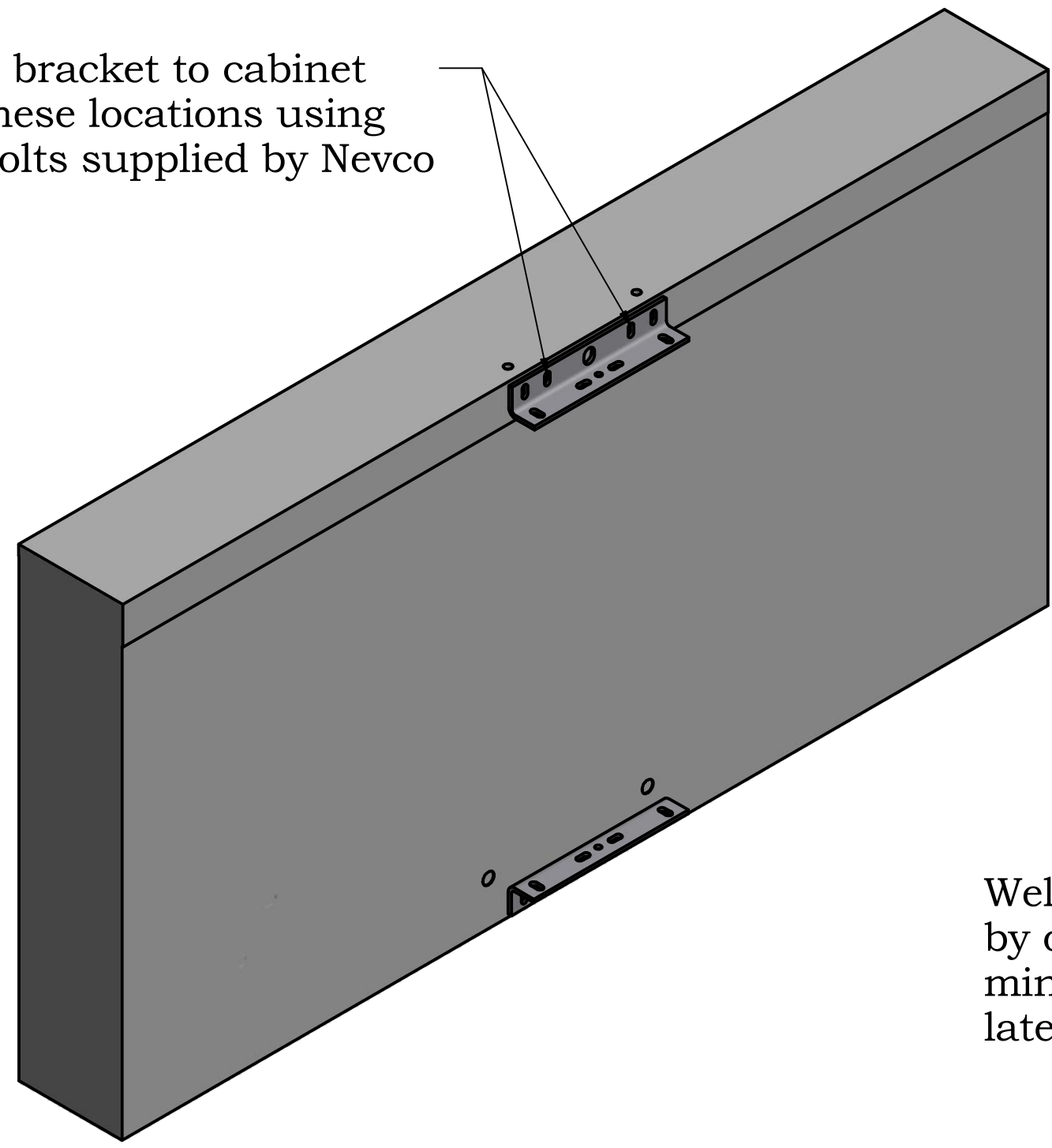


\*Dimensions do not include bolt/washer height

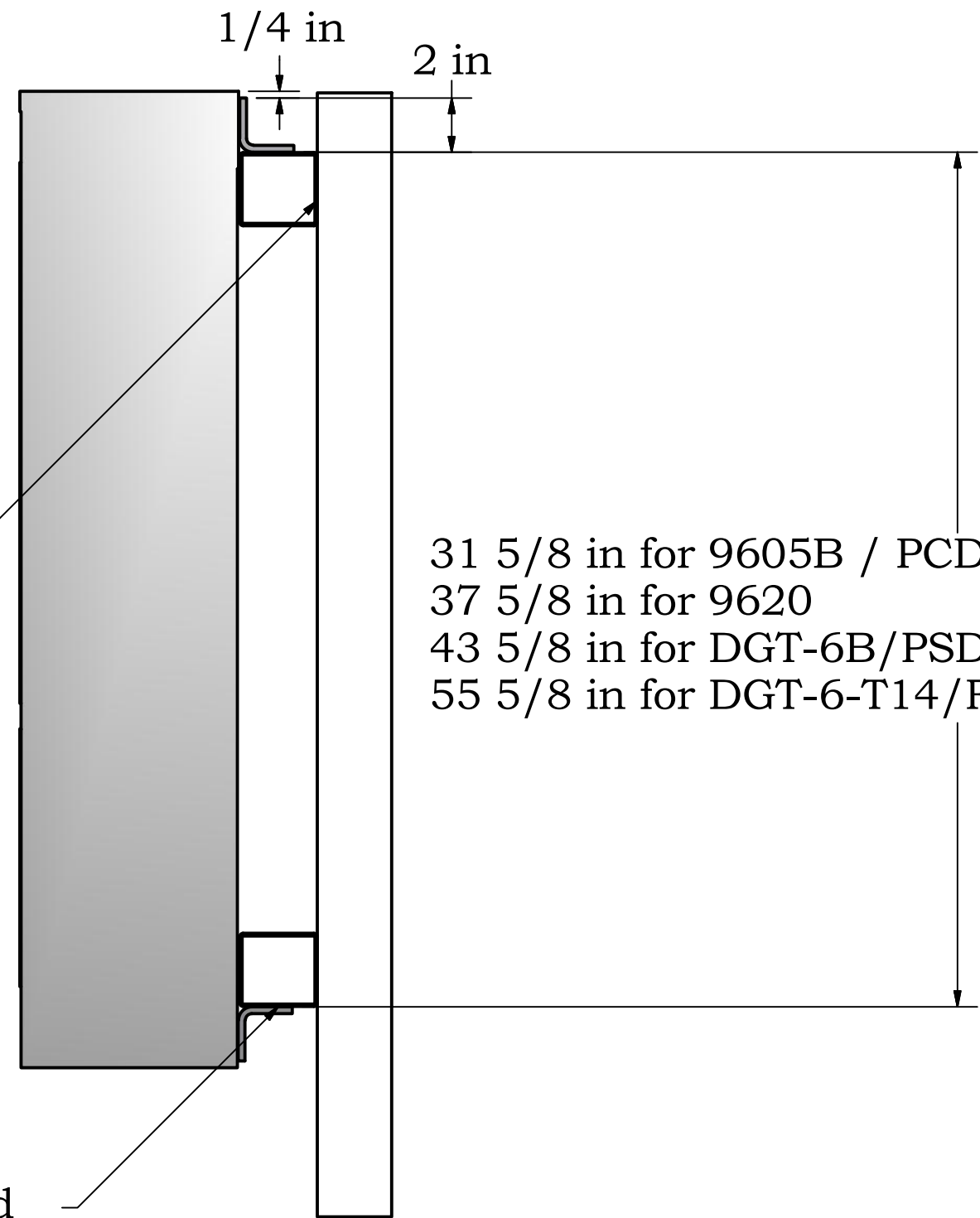
Installation for Single Section Scoreboard Requiring One Column		 Nevco, Inc. Greenville, Illinois 62246
Drawing No. 241-0367		
Drawn WHP	Date 11/16/2018	Sheet 2 of 3

**Mounting Method 3.**  
Standard installation  
to lateral

Bolt bracket to cabinet  
at these locations using  
1" bolts supplied by Nevco




Weld laterals (supplied  
by others) to column -  
minimum length of  
lateral is 12 in



- 31 5/8 in for 9605B / PCD / PCD-1
- 37 5/8 in for 9620
- 43 5/8 in for DGT-6B/PSD-6B/9651/FT-24/FT-30
- 55 5/8 in for DGT-6-T14/FT-24-T14

Drill/bolt of weld  
to laterals (bolts  
supplied by others)

**Side View**

Installation for Single Section Scoreboard Requiring One Column		 <b>Nevco, Inc.</b> Greenville, Illinois 62246	
		Drawing No. 241-0367	
Drawn <b>WHP</b>	Date 11/16/2018	Sheet 3 of 3	