

Dimensions and Steel Requirements					
Model Number	Dim "A"	Dim "B"	Dim "C"	Tube Length	Cabinet Weight
9605B	72"	36"	5' 6"	16' 6"	60 lbs
PCD / PCD-1	60"	36"	5' 6"	16' 6"	50 lbs
DGT-6B	48"	48"	5'	17'	50 lbs
PSD-6B	48"	48"	5'	17'	50 lbs
9651	60"	48"	5' 6"	17'	60 lbs
9620	48"	3' 6"	5'	16' 6"	45 lbs

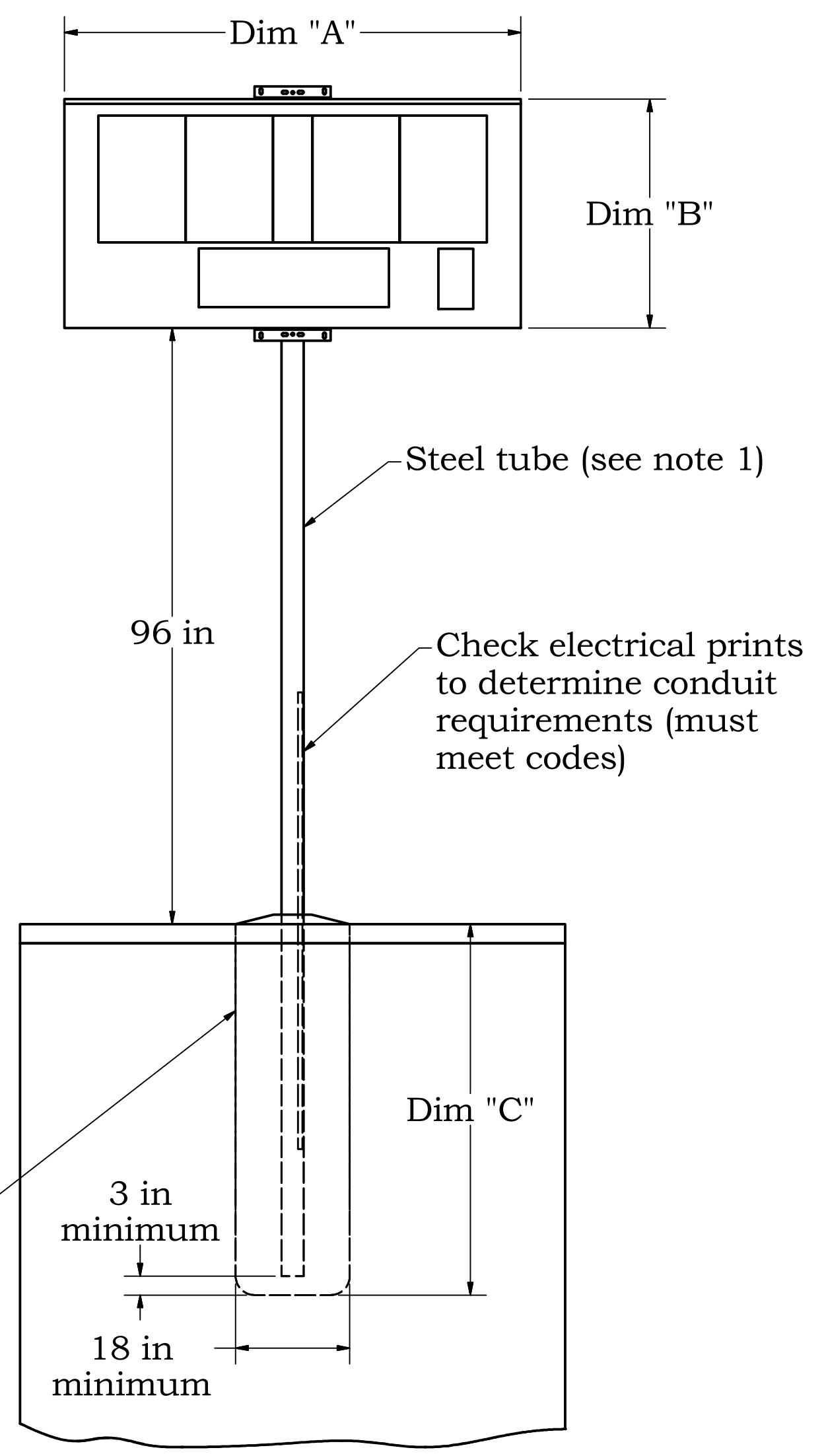
Notes:

1. Minimum steel tubing is 3½" x 3½" x ¼" (ASTM A-500) at length shown. Tubing length shown will result in approximately 96" clearance to ground level. Trim tubing to achieve clearance if necessary.
2. Pier depth is figured with 96" clearance from bottom of cabinet to ground level.
3. Pier depth figured using Exposure "C"
4. Cabinets have extra knockouts on back for power and signal to accomodate lateral or column installation


Important. Read before installation*

This is not an engineered drawing. It is intended for representation purposes only. The dimensions called out on this drawing are intended to be used as a guide only, and are not intended to be suitable for all conditions. Information specific to the scoreboard being used, such as assembly instructions and electrical connections, may be found in the installation manual for that scoreboard.

Nevco recommends that you consult a professional engineer or architect familiar with the area before attempting installation. They can verify that the brackets, screws, and other hardware items supplied by you or Nevco are adequate for your local soil conditions, wind loads and other conditions. If procedures are used that are not covered in this drawing, careful analysis of the installation is urged.

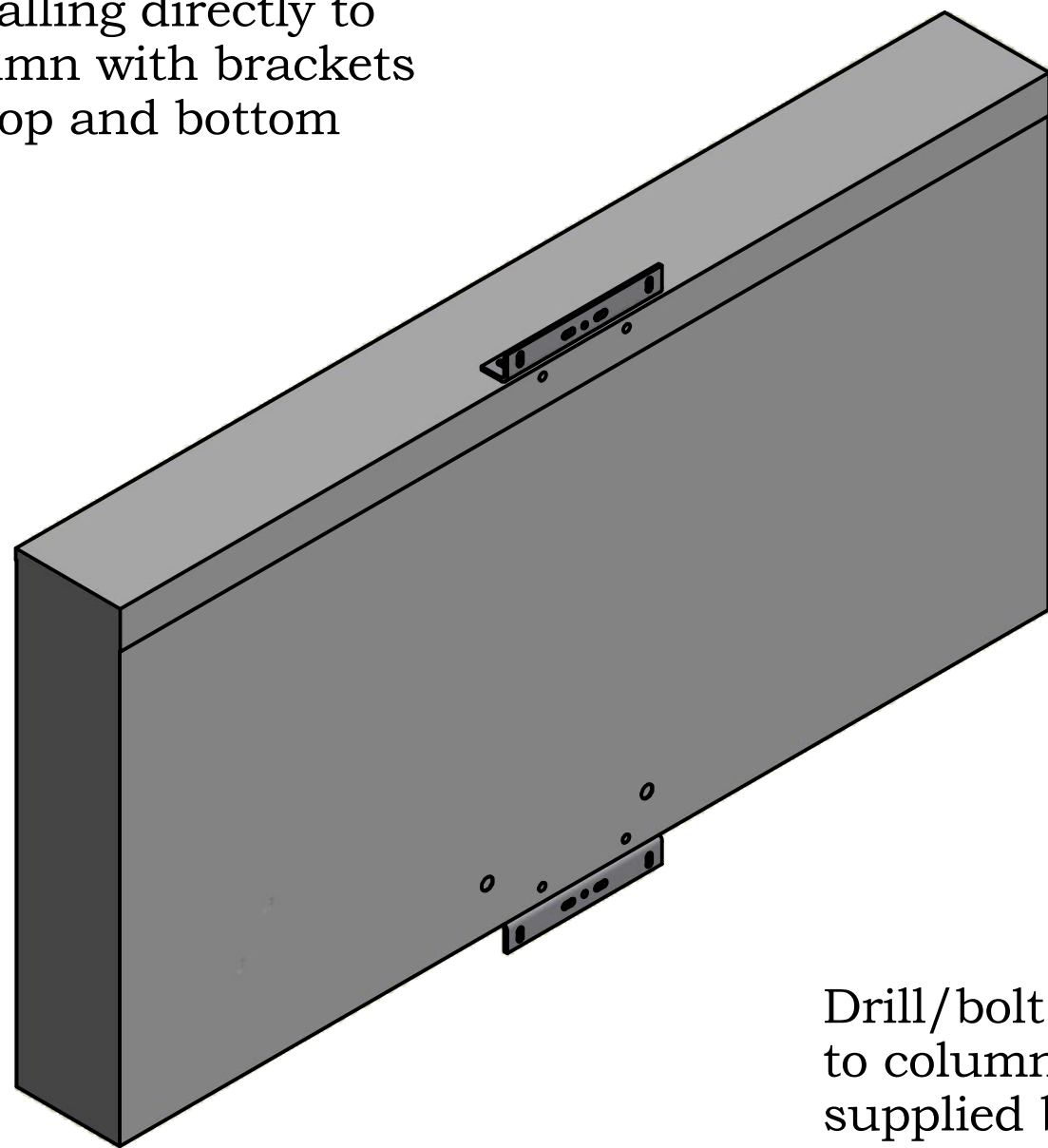


**Front View
(9605 shown)**

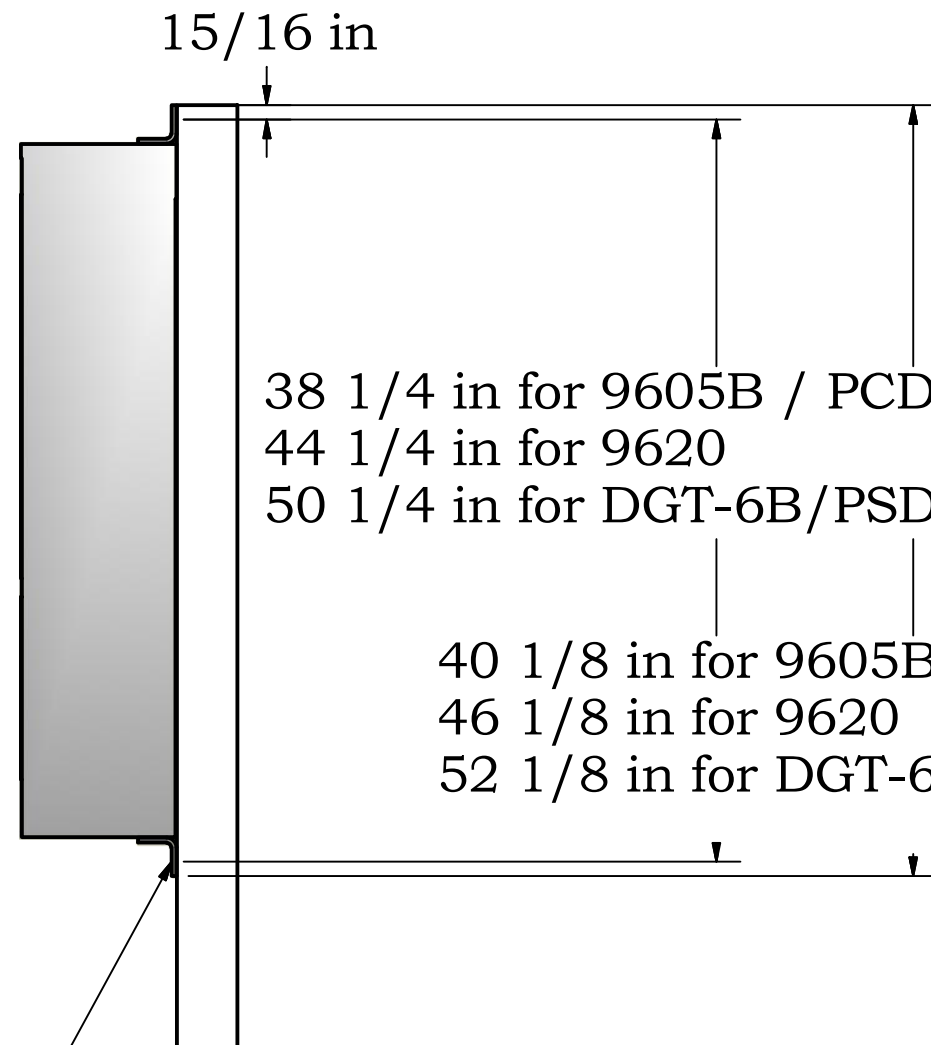
Installation for Single Section Scoreboard Requiring One Column			
		Nevco, Inc. Greenville, Illinois 62246	
Drawing No. 241-0367		Sheet 1 of 3	
Drawn WHP	Date 2/21/2017		

Mounting method 1.

Installing directly to column with brackets on top and bottom



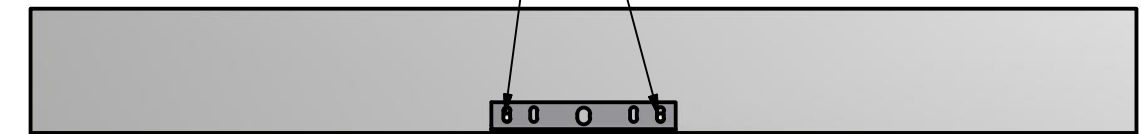
15/16 in



38 1/4 in for 9605B / PCD / PCD-1
 44 1/4 in for 9620
 50 1/4 in for DGT-6B/PSD-6B 9651

40 1/8 in for 9605B / PCD / PCD-1
 46 1/8 in for 9620
 52 1/8 in for DGT-6B/PSD-6B / 9651

Connect bracket to cabinet (top and bottom) with 1" bolts provided by Nevco at these locations

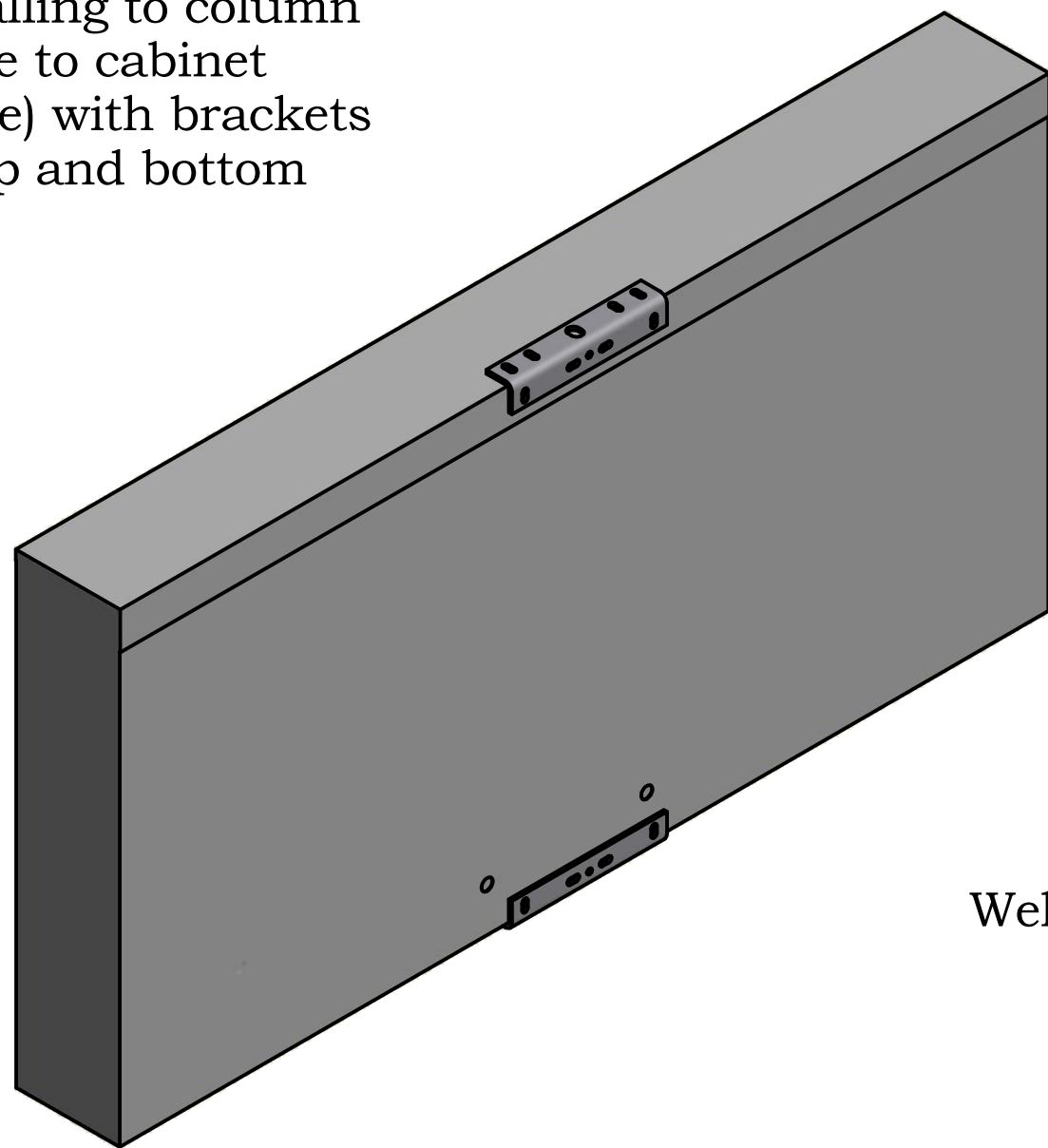


Drill/bolt or weld to column (bolts supplied by others)

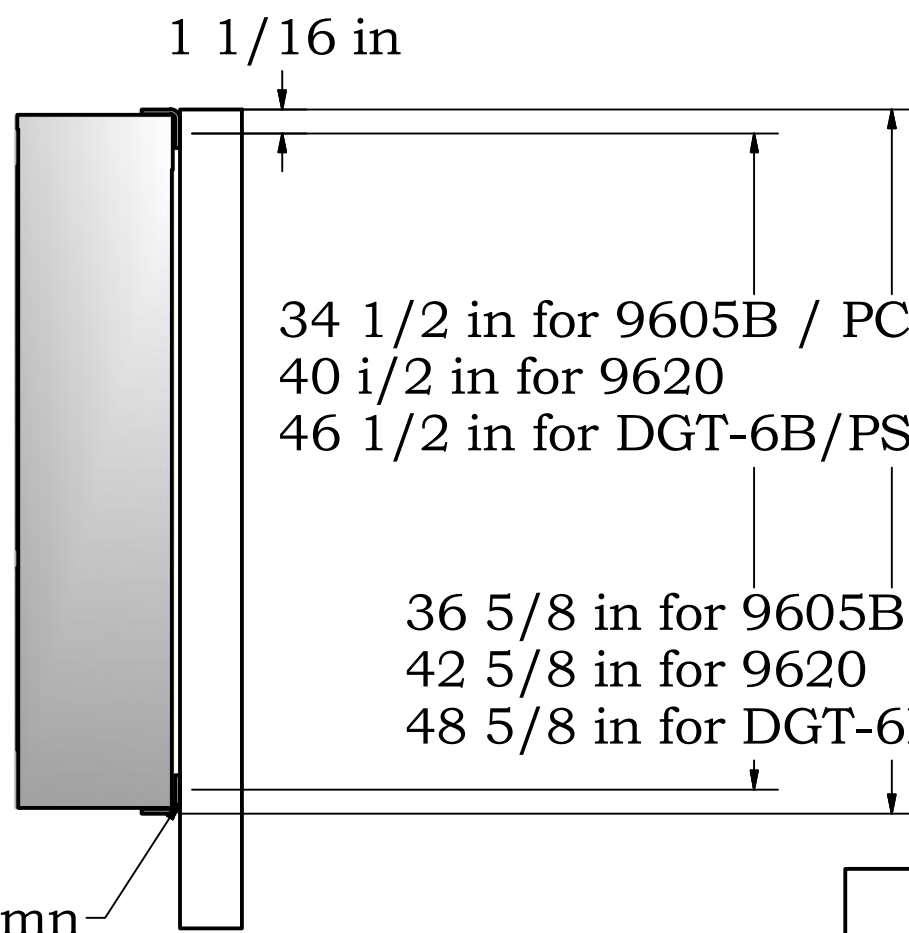
Side View

Mounting Method 2.

Installing to column (close to cabinet above) with brackets of top and bottom



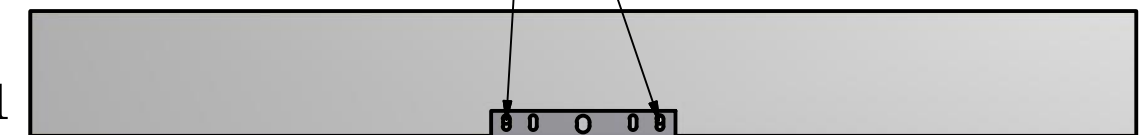
1 1/16 in



34 1/2 in for 9605B / PCD / PCD-1
 40 1/2 in for 9620
 46 1/2 in for DGT-6B/PSD-6B / 9651

36 5/8 in for 9605B / PCD / PCD-1*
 42 5/8 in for 9620
 48 5/8 in for DGT-6B/PSD-6B / 9651*

Connect bracket to cabinet (top and bottom) with 1" bolts provided by Nevco at these locations



Weld to column

Side View

*Dimensions do not include bolt/washer height

Installation for
 Single Section
 Scoreboard
 Requiring One
 Column



Nevco, Inc.
 Greenville, Illinois 62246

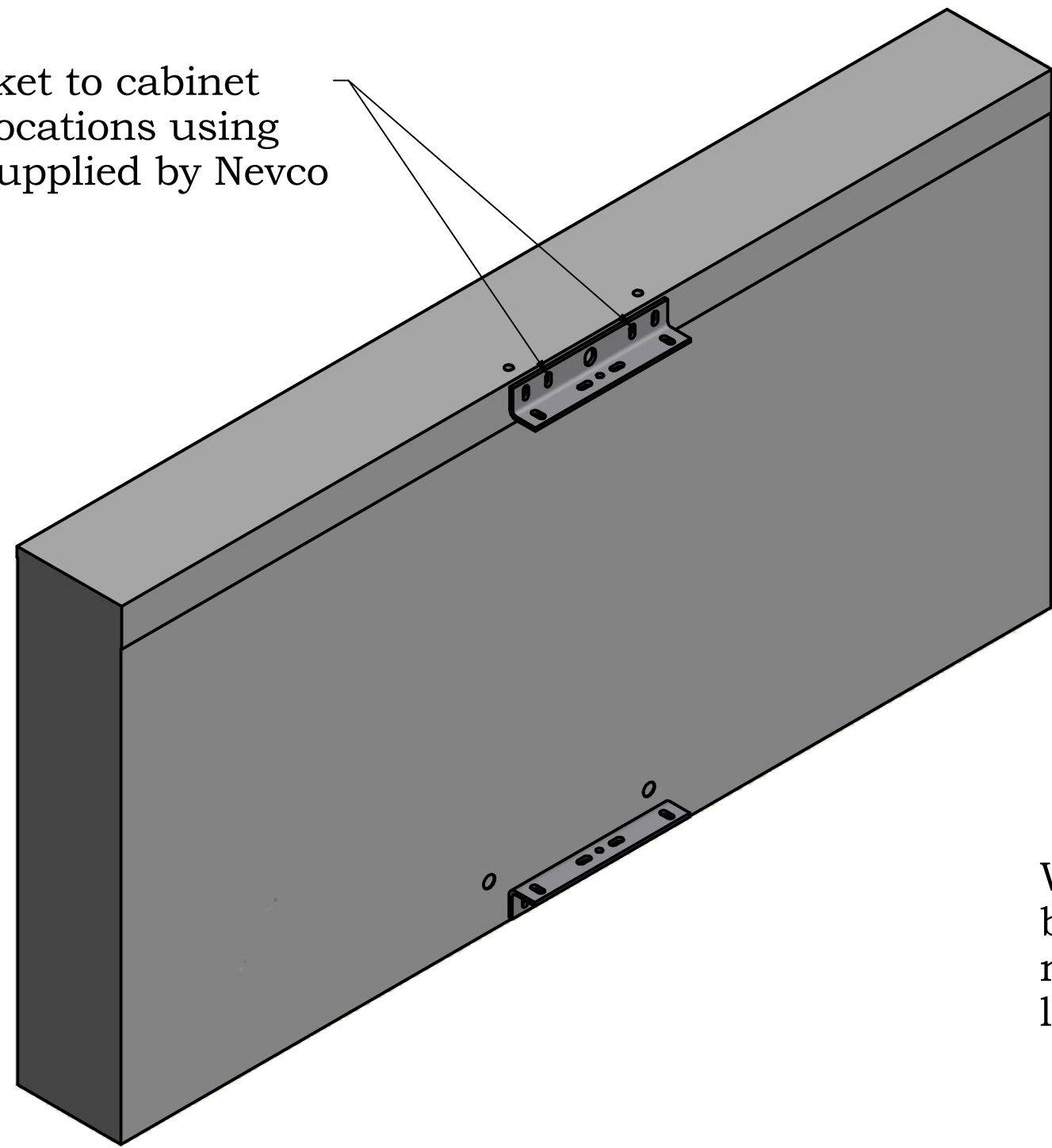
Drawing No. 241-0367

Drawn WHP Date 2/21/2017

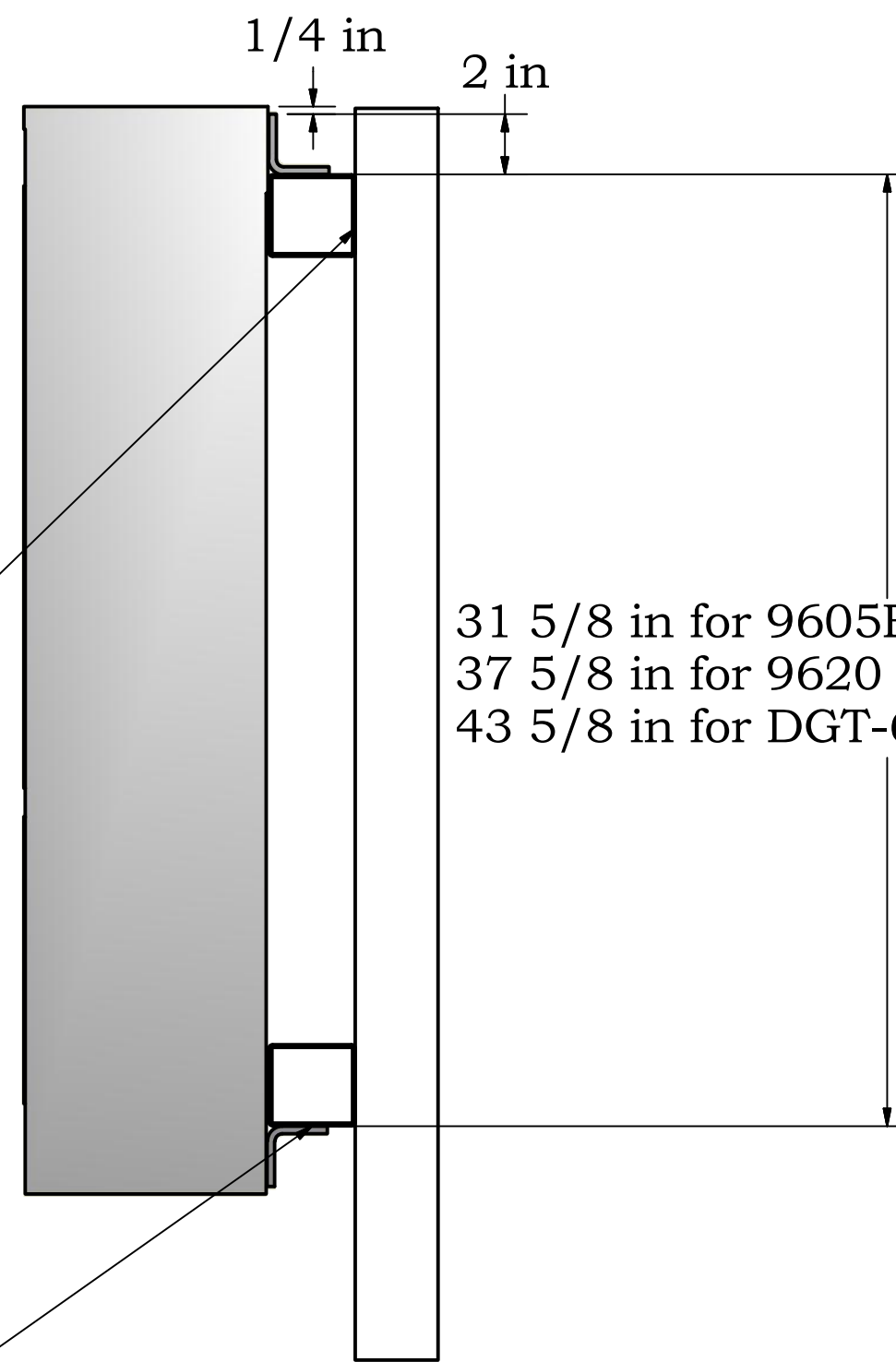
Sheet 2 of 3

Mounting Method 3.
Standard installation
to lateral

Bolt bracket to cabinet
at these locations using
1" bolts supplied by Nevco



Weld laterals (supplied
by others) to column -
minimum length of
lateral is 12 in



31 5/8 in for 9605B / PCD / PCD-1
37 5/8 in for 9620
43 5/8 in for DGT-6B/PSD-6B /9651

Drill/bolt of weld
to laterals (bolts
supplied by others)

Side View

Installation for
Single Section
Scoreboard
Requiring One
Column



Nevco, Inc.
Greenville, Illinois 62246

Drawing No. 241-0367

Drawn **WHP**

Date **2/21/2017**

Sheet **3** of **3**