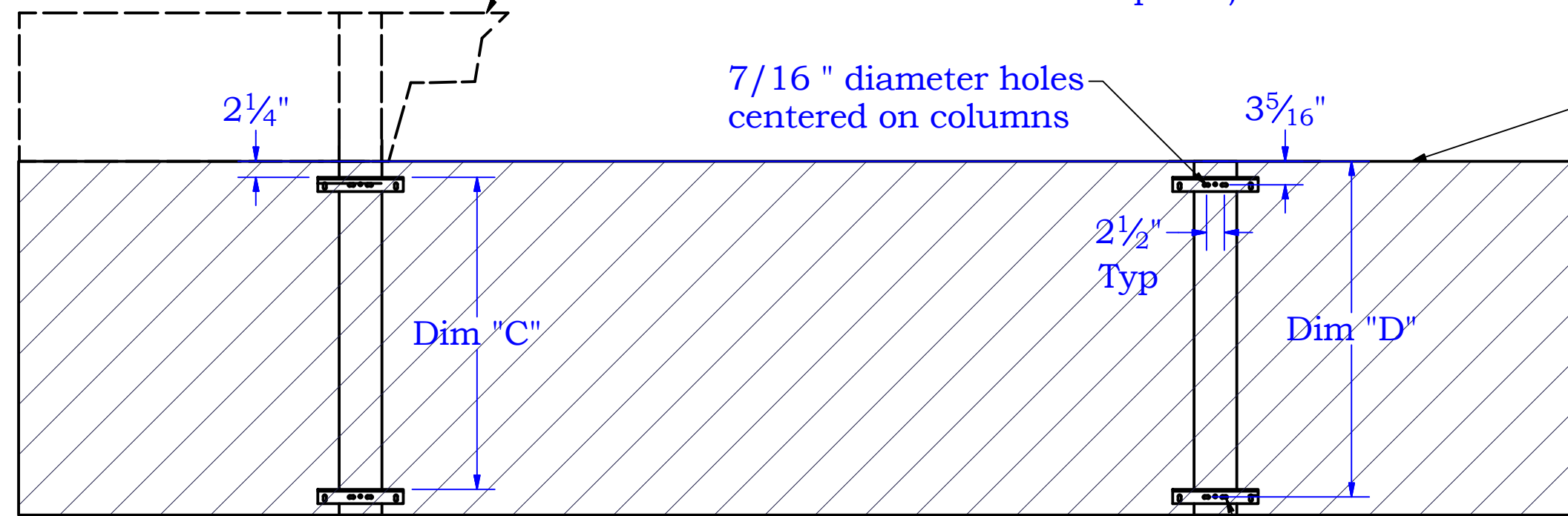


Dimensions must be increased by an amount equal to the additional column length when installation consists of additional display components above the scoreboard. (Includes dimensions for welded or bolted option.)

See notes/drawings on sheets 4,5 including bracket orientation, lateral installation (if required), wind speed requirements, etc.



Dimensions to top of brackets for **WELDING** option

Dimensions to holes for **BOLTING** option

Scoreboard	Scoreboard Height	Dim "C" (Welded)	Dim "D" (Bolted)
PCD-08	1' 6 3/32"	13 7/8"	17 5/32"
PCD-10 PCD-16 PCD-18	2' 3/32"	19 7/8"	23 5/32"
1650	3' 3/32"	31 7/8"	35 5/32"
1610 1620 3650 9652	4' 3/32"	43 7/8"	47 5/32"
1600 1625 1632 3602	5' 3/32"	55 7/8"	59 5/32"

Hardware Supplied by Others	
Description	Quantity
3/8 x 1 1/2 Bolt*	8
3/8 Flat Washer	16
3/8 Lock Washer	8
3/8 Nut	8
3/8 -16 Eye Bolts**	

* Minimum bolt grade is A307
**see sheet 4

Outdoor Scoreboard
Installation
2 Column



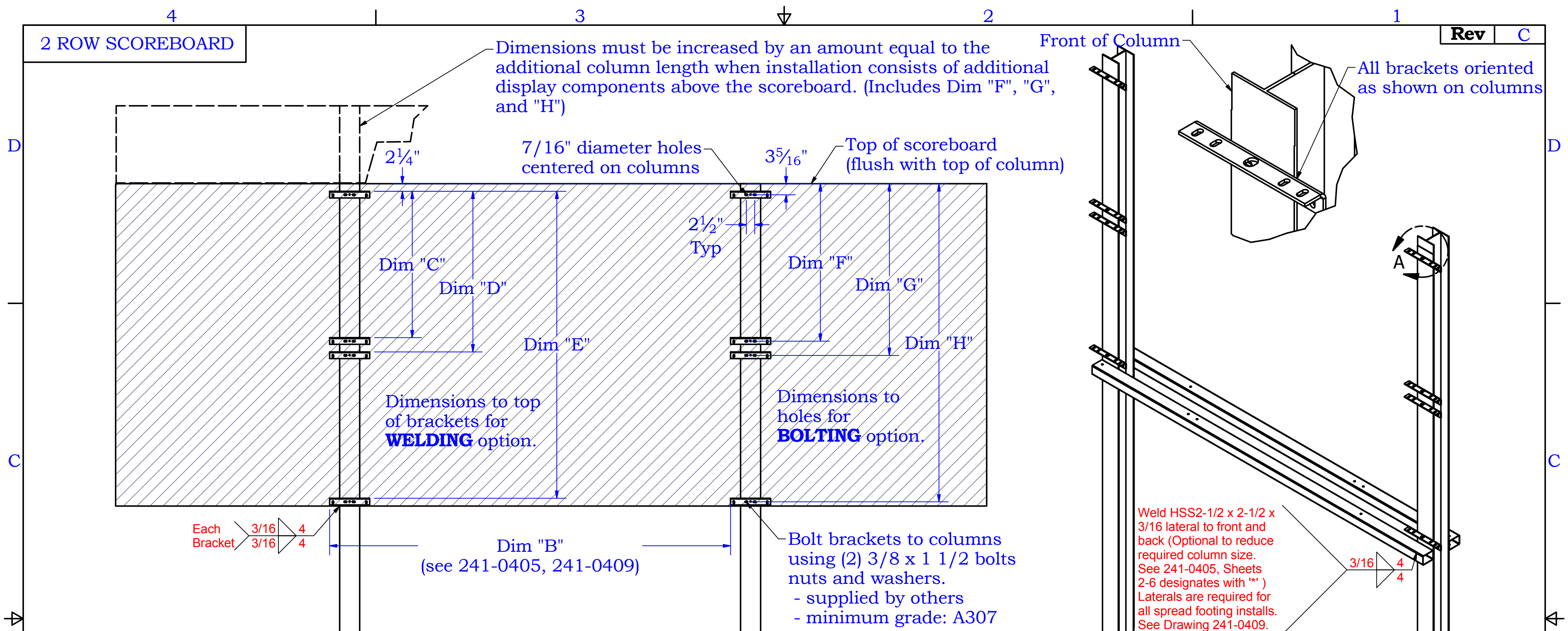
Neveco, Inc.
Greenville, Illinois 62246

Drawing No. 241-0413

Drawn KAB

Date 1/10/2017

Sheet 1 of 5



Model #	Scoreboard Height	WELDING DIMENSIONS			BOLTING DIMENSIONS									
		Dim "C"	Dim "D"	Dim "E"	Dim "F"	Dim "G"	Dim "H"							
9660	6' 3/16"	19 7/8"	24 1/8"	67 15/16"	23 5/32"	27 7/16"	71 1/4"							
5625	8' 3/16"	43 7/8"	48 1/8"	91 15/16"	47 5/32"	51 7/16"	95 1/4"							
3655 3658	5' 3/16"	31 7/8"	36 1/8"	55 15/16"	35 5/32"	39 7/16"	59 1/4"							
1608 1609 1635	6' 3/16"	31 7/8"	36 1/8"	67 15/16"	35 5/32"	39 7/16"	71 1/4"							
5634 1615	6' 3/16" 7' 3/16"	43 7/8" 19 7/8"	48 1/8" 24 1/8"	67 15/16" 79 15/16"	47 5/32" 23 5/32"	51 7/16" 27 7/16"	71 1/4" 83 1/4"							
1630 1640 3600 3614 3634 3656 3680 5635	8' 3/16"	43 7/8"	48 1/8"	91 15/16"	47 5/32"	51 7/16"	95 1/4"							
3625								9' 3/16"	43 7/8"	48 1/8"	103 15/16"	47 5/32"	51 7/16"	107 1/4"

FRONT VIEW

NOTE: Minimum bolt grade is A307
* Hardware not needed if installer uses welding option.


HARDWARE SUPPLIED BY OTHERS	
Description	Quantity
*3/8 x 1 1/2 Bolt	16
*3/8 Flat Washer	32
*3/8 Lock Washer	16
*3/8 Nut	16
3/8-16 eye bolts (see sheet 8)	2

- Required Hand Tools:**
1. Phillips head screw driver/drill with phillips driver.
 2. 9/16" wrench
 3. Ratchet wrench and 9/16" socket
 4. Level
 5. Tape measure

Notes:

- 1) If welding brackets to columns, According to IBC standards, all welds are to be performed by AWS certified welder. The city in which the display is installed may waive this standard. Contact local officials if necessary.
- 2) **FOR HIGH WIND AREAS:** For installations in wind zones higher than 150 mph, brackets must be welded to columns.
- 3) Dimensions above should be taken from the top of the **SHORTEST** column, marked and leveled across to other column.
- 4) Brackets shipped in separate container.

Outdoor Scoreboard
Installation
2 Column



NEVCO
Nevco, Inc.
Greenville, Illinois 62246

Drawn	KAB	Date	1/10/2017
Drawing No.		241-0413	
Sheet		of 5	
2		5	

3 Row Scoreboard

Dimensions must be increased by an amount equal to the additional column length when installation consists of additional display components above the scoreboard. (Includes dimensions for welded or bolted option.)

12 feet
(typical for all models below)

See notes/drawings on sheets 4,5 including bracket orientation, lateral installation (if required), wind speed requirements, etc.


Hardware Supplied by Others	
Description	Quantity
3/8 x 1 1/2 Bolt*	24
3/8 Flat Washer	48
3/8 Lock Washer	24
3/8 Nut	24
3/8 -16 Eye Bolts**	

* Minimum bolt grade is A307
**see sheet 4

Bolted Dimensions Only					
Model #	Dim "H"	Dim "I"	Dim "J"	Dim "K"	Dim "L"
7604					
7614	29 5/32"	33 13/32"	77 1/4"	81 1/2"	125 3/8"
7624					
7680					
9650	23 3/16"	27 7/16"	71 1/4"	75 1/2"	119 3/8"

Welding Dimensions Only					
Model #	Dim "C"	Dim "D"	Dim "E"	Dim "F"	Dim "G"
7604					
7614	25 7/8"	30 3/32"	73 15/16"	78 3/16"	122 1/16"
7624					
7680					
9650	19 7/8"	24 1/8"	67 15/16"	72 3/16"	116 1/16"

Outdoor Scoreboard
Installation
2 Column



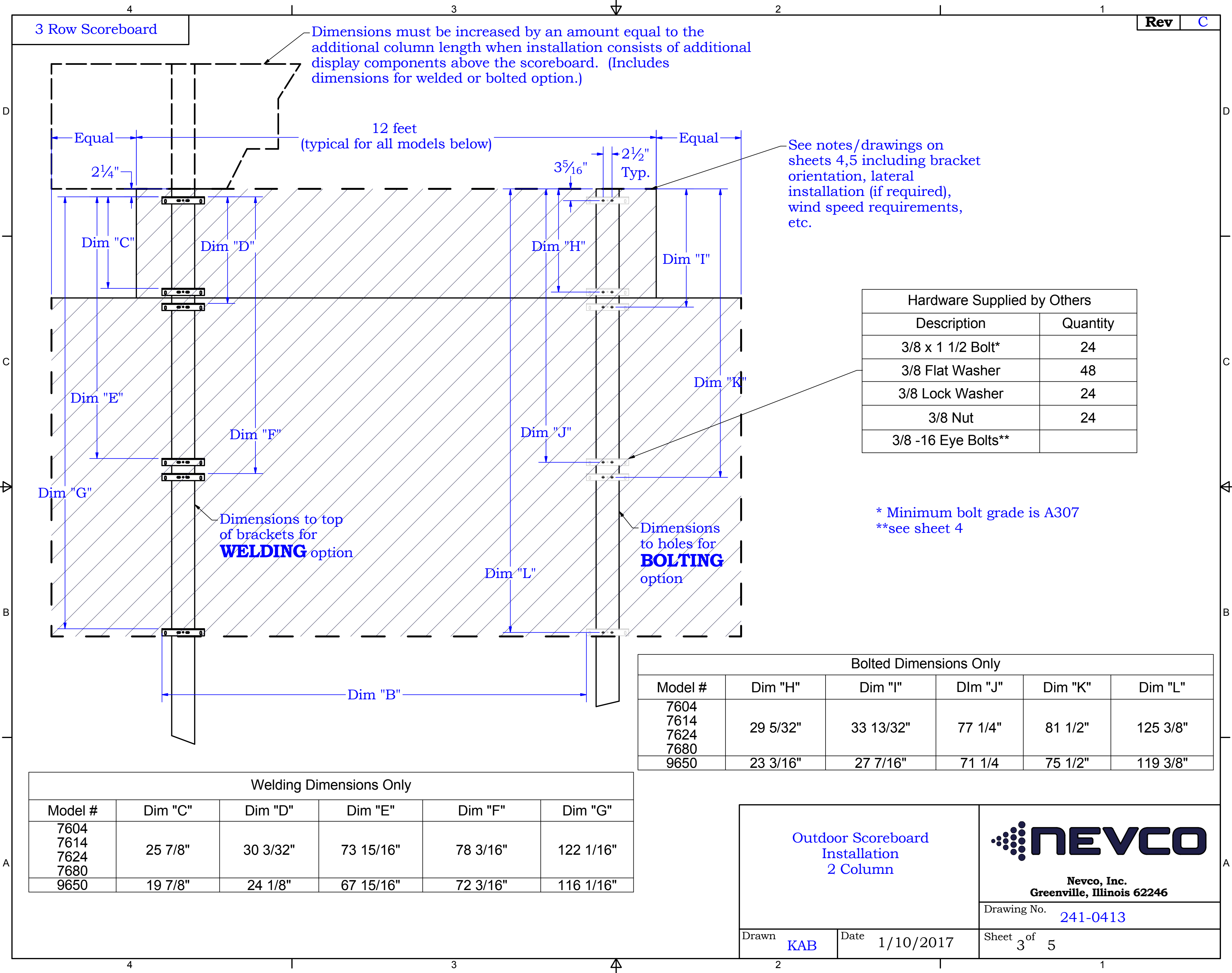
NEVCO

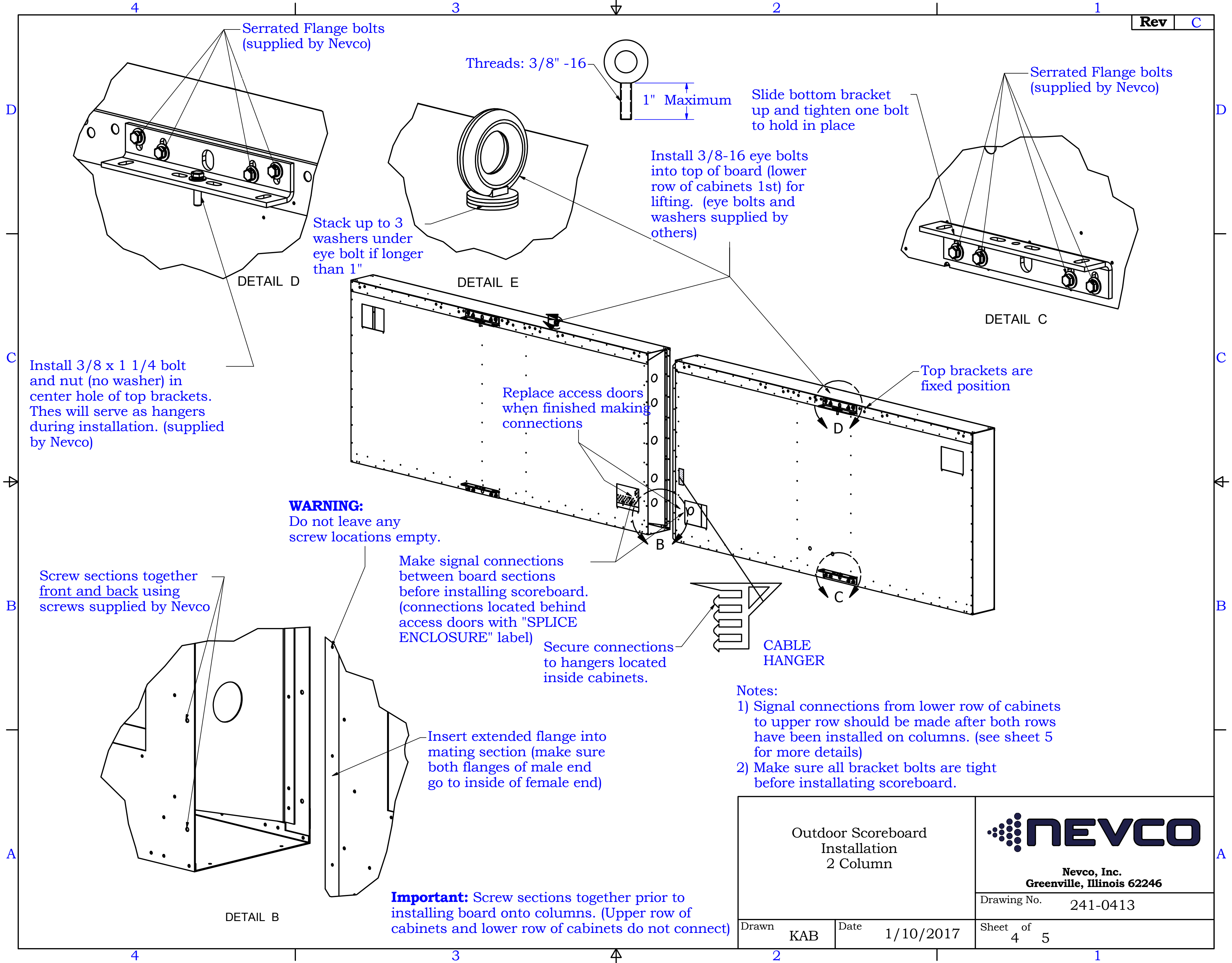
Neveco, Inc.
Greenville, Illinois 62246

Drawn **KAB** Date 1/10/2017

Drawing No. **241-0413**

Sheet 3 of 5





Outdoor Scoreboard Installation 2 Column	
Drawn	KAB
Date	1/10/2017

NEVCO

Nevco, Inc.
Greenville, Illinois 62246

Drawing No.	241-0413
Sheet of	4 5

Important: Screw sections together prior to installing board onto columns. (Upper row of cabinets and lower row of cabinets do not connect)

- Notes:
- 1) Signal connections from lower row of cabinets to upper row should be made after both rows have been installed on columns. (see sheet 5 for more details)
 - 2) Make sure all bracket bolts are tight before installing scoreboard.

WARNING:
Do not leave any screw locations empty.

Screw sections together front and back using screws supplied by Nevco

Make signal connections between board sections before installing scoreboard. (connections located behind access doors with "SPICE ENCLOSURE" label)

Secure connections to hangers located inside cabinets.

Insert extended flange into mating section (make sure both flanges of male end go to inside of female end)

Install 3/8 x 1 1/4 bolt and nut (no washer) in center hole of top brackets. These will serve as hangers during installation. (supplied by Nevco)

Install 3/8-16 eye bolts into top of board (lower row of cabinets 1st) for lifting. (eye bolts and washers supplied by others)

Stack up to 3 washers under eye bolt if longer than 1"

Slide bottom bracket up and tighten one bolt to hold in place

DETAIL D

DETAIL E

DETAIL C

DETAIL B

Remove eye bolts from first row and install on second row

Spreader bar preferred for lifting (see installation instructions for more details)

Make power/signal connection between upper and lower rows of cabinets after board has been installed.
 - connections located behind access doors
 - Pull cables from lower section into upper section (connections must be made and permanently located in upper section)

Tighten all bracket bolts on first row before installation of second row

WARNING:
 Do not lift scoreboards with any other additional weight attached such as laterals or other structural components

Install top row and tighten all bracket bolts.

Secure connections to hangers located inside cabinets.

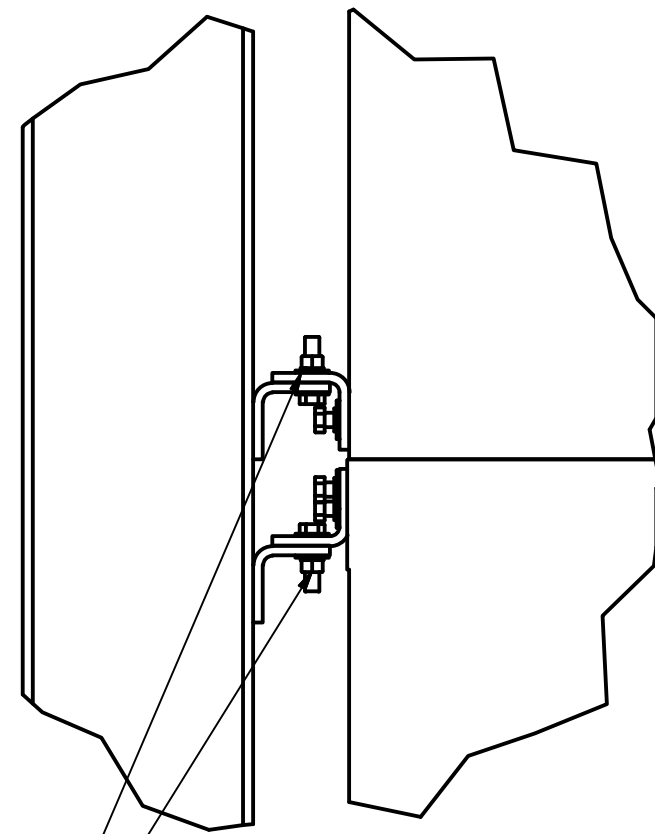
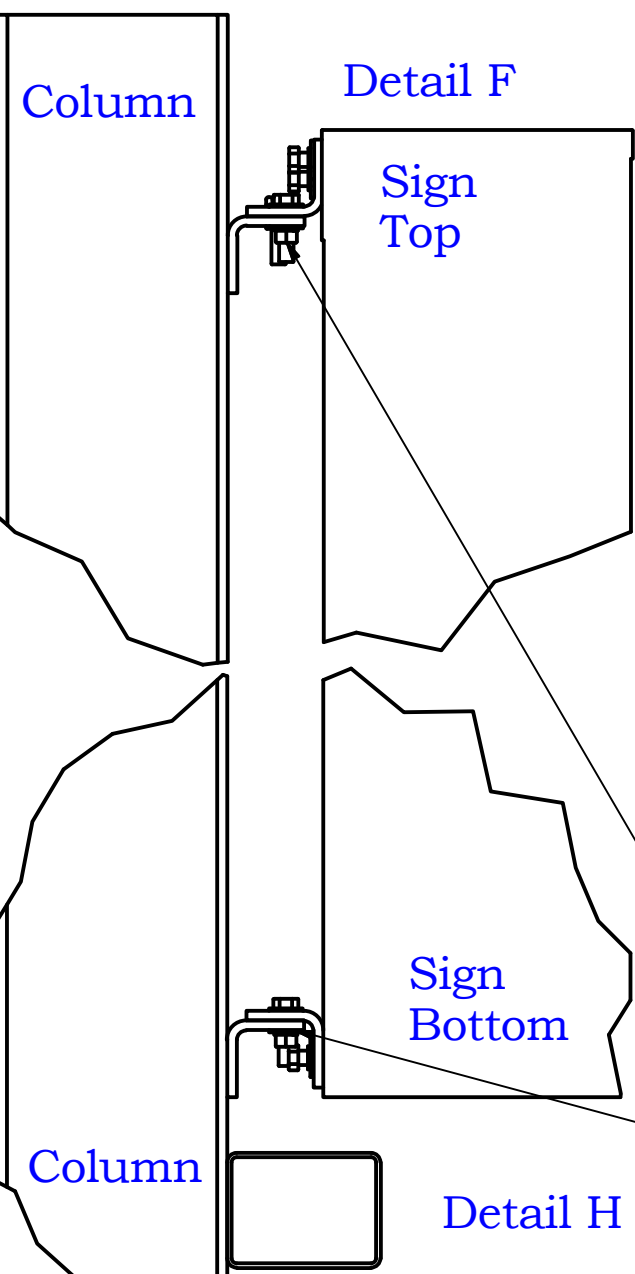
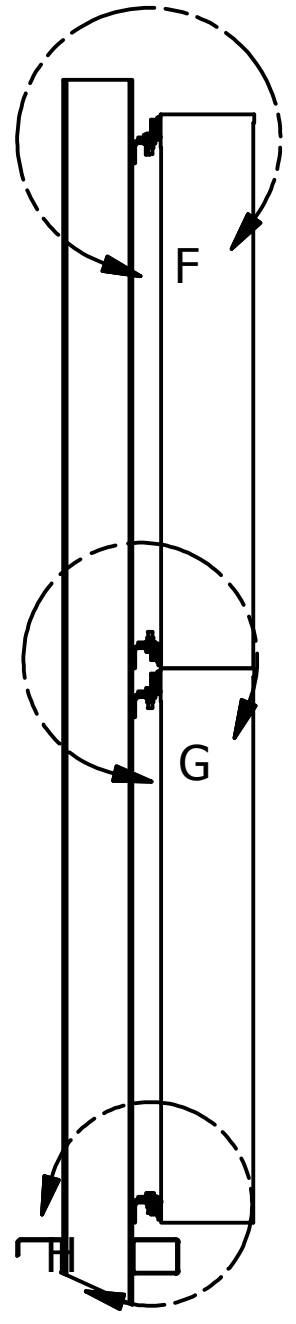
CABLE HANGER

Scoreboard

Bolt installed in top brackets of each row will serve as hanger

STEP ONE
 Install First Row


STEP TWO
 Install Second Row



column

Hanging Detail

Bolt brackets together using bolts, nuts, washers, and lock washers supplied by Nevco (3/8 x 1 1/4 bolts)

Outdoor Scoreboard Installation 2 Column		 Nevco, Inc. Greenville, Illinois 62246
Drawn KAB	Date 1/10/2017	
		Sheet 5 of 5