


NOTE: Minimum bolt grade is A307 (not required if welding brackets to columns)

- Required Hand Tools:**
1. Phillips head screw driver/drill with phillips driver.
 2. 9/16" wrench
 3. Ratchet wrench and 9/16" socket
 4. Level
 5. Tape measure

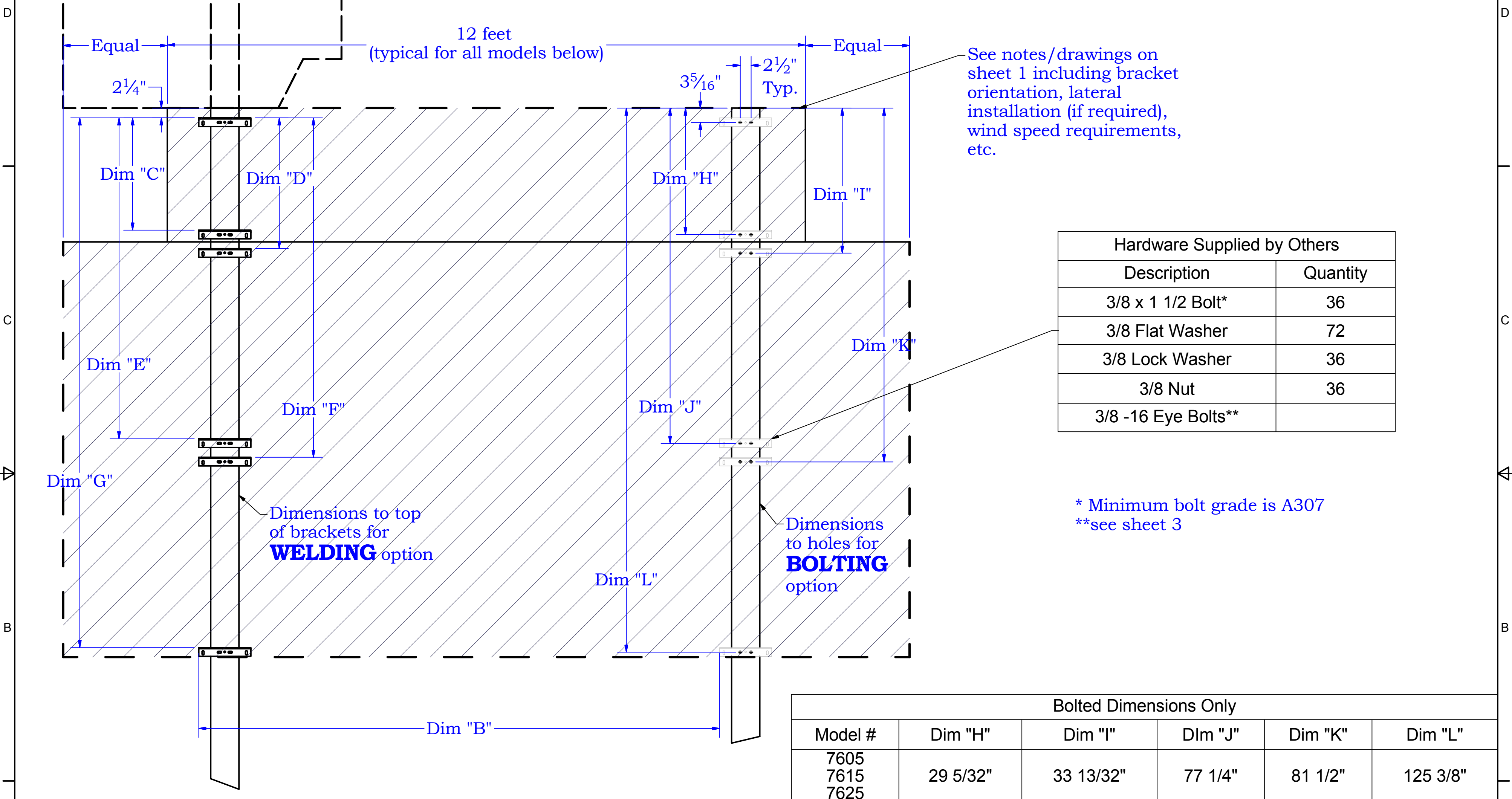
HARDWARE SUPPLIED BY OTHERS	
Description	Quantity
3/8 x 1 1/2 Bolt	24
3/8 Flat Washer	48
3/8 Lock Washer	24
3/8 Nut	24
3/8-16 eye bolts (see sheet 6)	2

Model #	WELDING DIMENSIONS			BOLTING DIMENSIONS		
	Dim "C"	Dim "D"	* Dim "E"	Dim "F"	Dim "G"	Dim "H"
1604						
1606						
3615						
3617						
3618						
3619						
3621	43 7/8"	48 1/8"	91 15/16"	47 5/32"	51 7/16"	95 1/4"
3682						
3685						
7630						
7631						
7632						
7685						

- Notes:**
- 1) If welding brackets to columns, According to IBC standards, all welds are to be performed by AWS certified welder. The city in which the display is installed may waive this standard. Contact local officials if necessary.
 - 2) **FOR HIGH WIND AREAS:** For installations in wind zones higher than 150 mph, brackets must be welded to columns.
 - 3) Dimensions above should be taken from the top of the SHORTEST column, marked and leveled across to other column.
 - 4) Brackets shipped in separate container.

Outdoor Scoreboard Installation 3 Column Multi-Section		 NeVco, Inc. Greenville, Illinois 62246					
				Drawing No. 241-0414			
Drawn	KAB	Date	1/10/2017	Sheet	1	of	4

Dimensions must be increased by an amount equal to the additional column length when installation consists of additional display components above the scoreboard. (Includes dimensions for welded or bolted option.)




See notes/drawings on sheet 1 including bracket orientation, lateral installation (if required), wind speed requirements, etc.

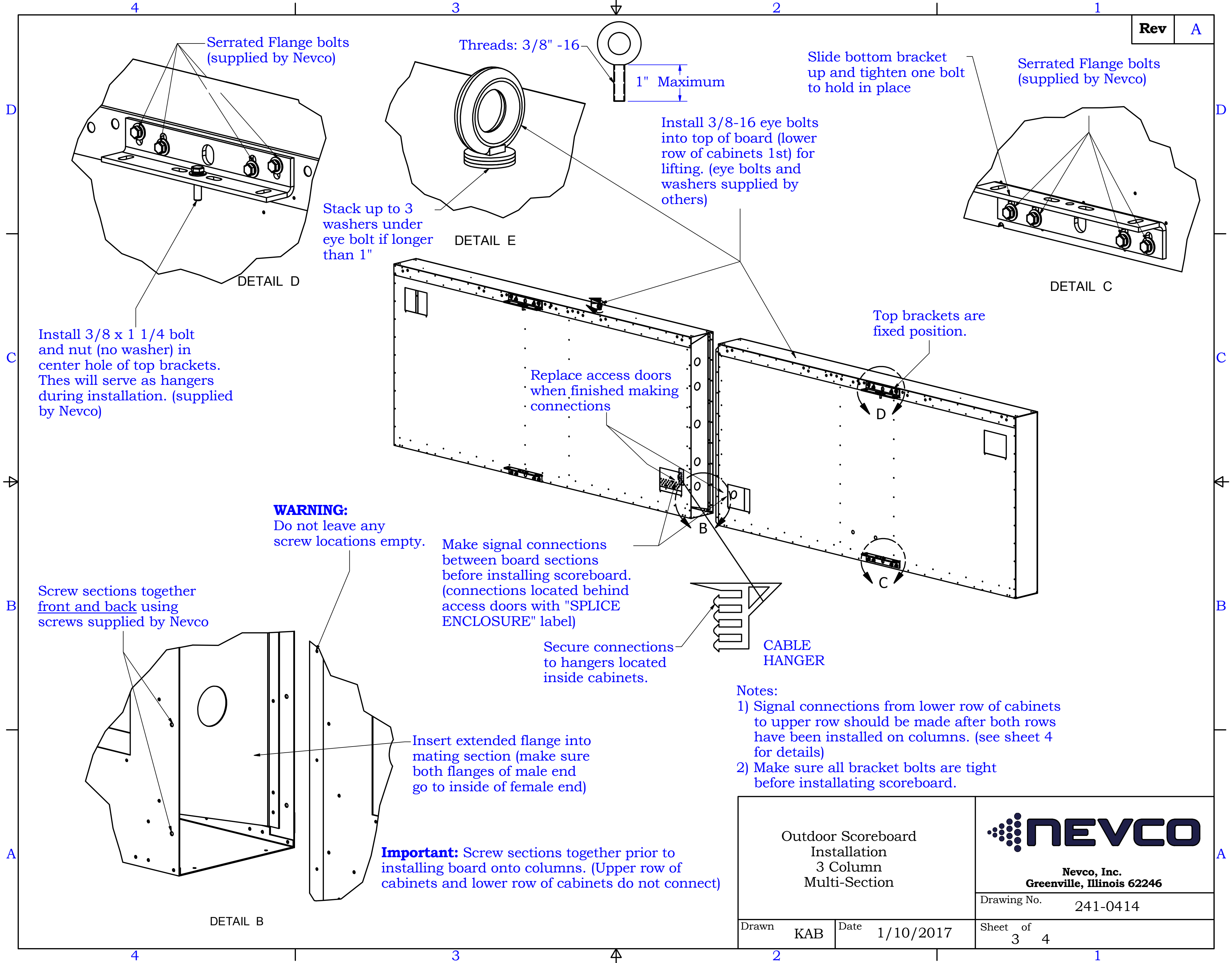
Hardware Supplied by Others	
Description	Quantity
3/8 x 1 1/2 Bolt*	36
3/8 Flat Washer	72
3/8 Lock Washer	36
3/8 Nut	36
3/8 -16 Eye Bolts**	

* Minimum bolt grade is A307
 **see sheet 3

Bolted Dimensions Only					
Model #	Dim "H"	Dim "I"	Dim "J"	Dim "K"	Dim "L"
7605					
7615	29 5/32"	33 13/32"	77 1/4"	81 1/2"	125 3/8"
7625					

Welding Dimensions Only					
Model #	Dim "C"	Dim "D"	Dim "E"	Dim "F"	Dim "G"
7605					
7615	25 7/8"	30 3/32"	73 15/16"	78 3/16"	122 1/16"
7625					

Outdoor Scoreboard Installation 3 Column Multi-Section		 Nevco, Inc. Greenville, Illinois 62246	
Drawn KAB	Date 1/10/2017	Sheet 2 of 4	



Serrated Flange bolts (supplied by Nevco)

Threads: 3/8" -16

1" Maximum

Slide bottom bracket up and tighten one bolt to hold in place

Serrated Flange bolts (supplied by Nevco)

Install 3/8-16 eye bolts into top of board (lower row of cabinets 1st) for lifting. (eye bolts and washers supplied by others)

Stack up to 3 washers under eye bolt if longer than 1"

DETAIL E

DETAIL D

DETAIL C

Install 3/8 x 1 1/4 bolt and nut (no washer) in center hole of top brackets. This will serve as hangers during installation. (supplied by Nevco)

Top brackets are fixed position.

Replace access doors when finished making connections

WARNING: Do not leave any screw locations empty.

Make signal connections between board sections before installing scoreboard. (connections located behind access doors with "SPICE ENCLOSURE" label)

Screw sections together front and back using screws supplied by Nevco

Secure connections to hangers located inside cabinets.


CABLE HANGER

- Notes:
- 1) Signal connections from lower row of cabinets to upper row should be made after both rows have been installed on columns. (see sheet 4 for details)
 - 2) Make sure all bracket bolts are tight before installing scoreboard.

Insert extended flange into mating section (make sure both flanges of male end go to inside of female end)

Important: Screw sections together prior to installing board onto columns. (Upper row of cabinets and lower row of cabinets do not connect)

DETAIL B

Outdoor Scoreboard Installation 3 Column Multi-Section		 Nevco, Inc. Greenville, Illinois 62246
Drawn	KAB	
Date	1/10/2017	Sheet 3 of 4

Remove eye bolts from first row and install on second row

Spreader bar preferred for lifting (see installation instructions for more details)

Note: Details below show only two columns for clarity. Actual installation will have 3 columns.

Make power/signal connection between upper and lower rows of cabinets after board has been installed.

- connections located behind access doors
- Pull cables from lower section into upper section (connections must be made and permanently located in upper section)

CABLE HANGER

Tighten all bracket bolts on first row before installation of second row

WARNING:
Do not lift scoreboards with any other additional weight attached such as laterals or other structural components

Install top row and tighten all bracket bolts.

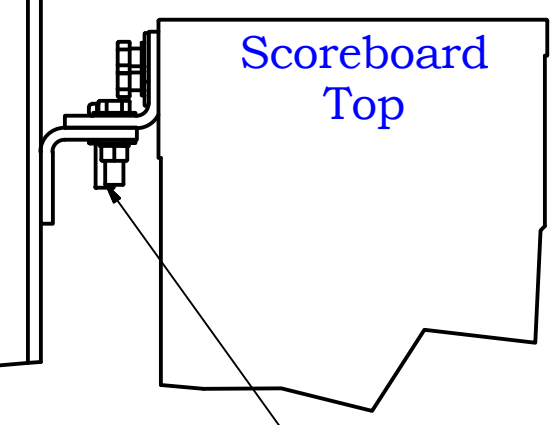
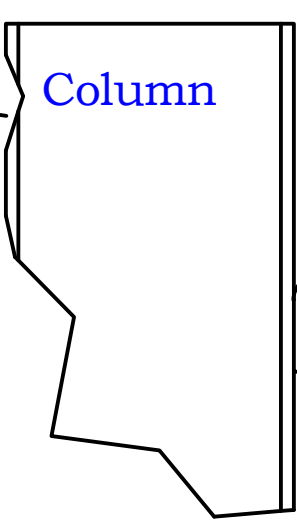
Secure connections to hangers located inside cabinets.

Scoreboard

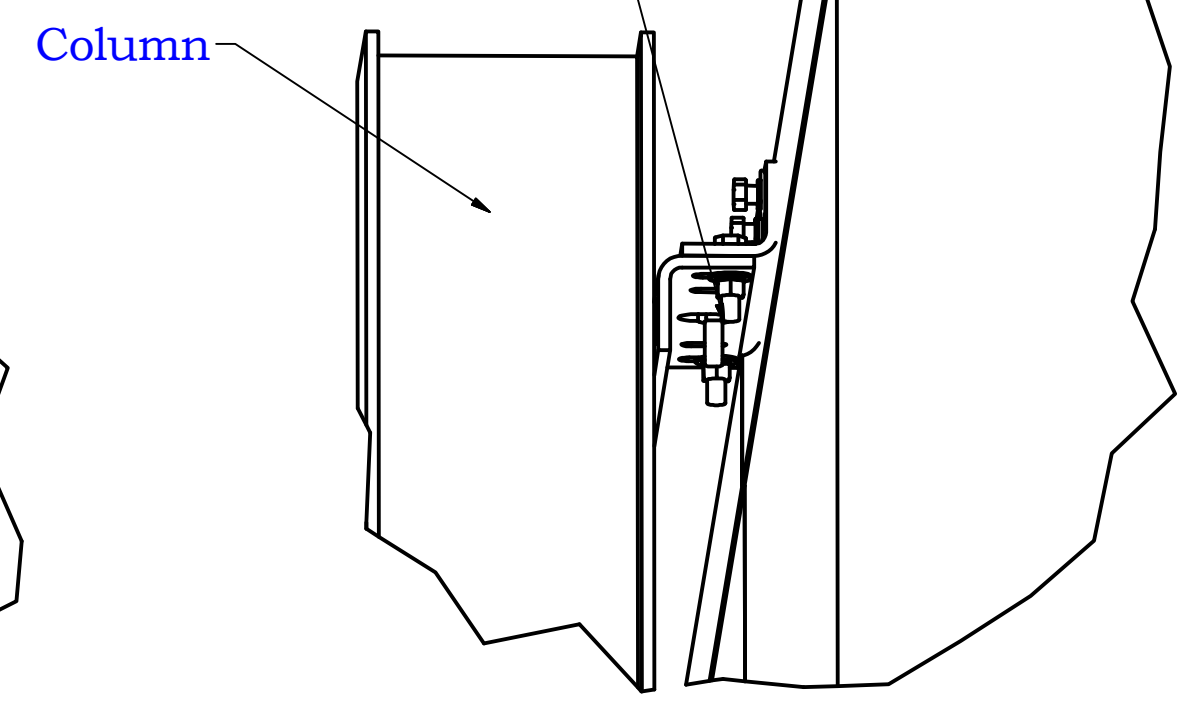
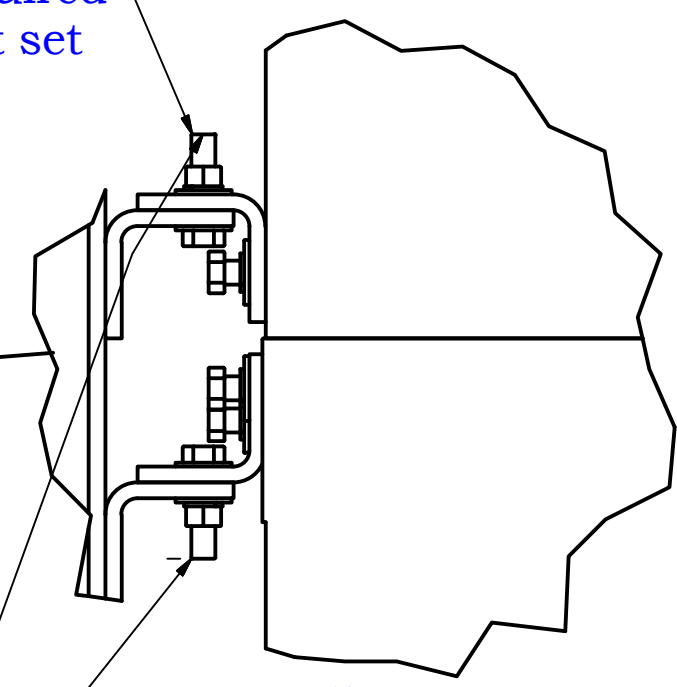
STEP ONE
Install First Row

STEP TWO
Install Second Row

Bolt installed in top brackets of each row will serve as hanger



2 Bolts required per bracket set



Upper Section

Detail F

Lower Section

Scoreboard Bottom

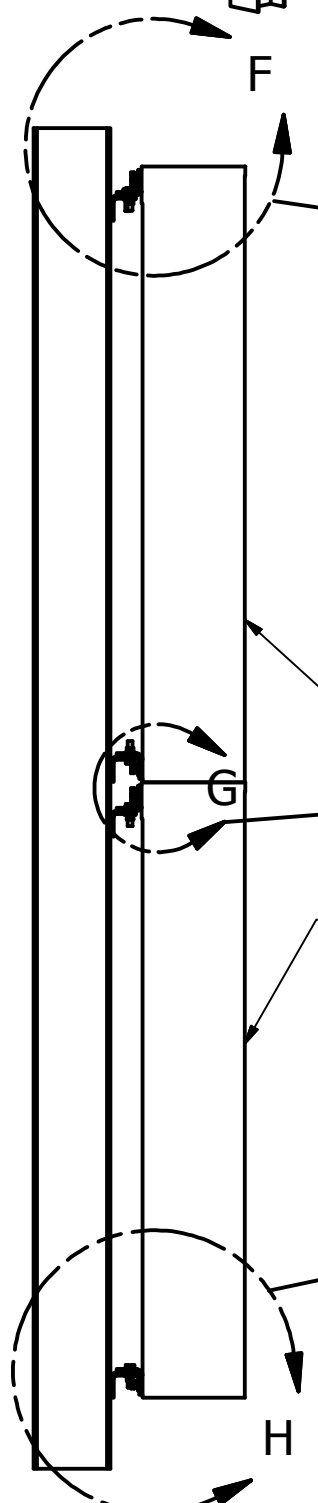
Detail G

Hanging Detail

Column

Detail H

Bolt brackets together using bolts, nuts, washers and lock washers supplied by Nevco. (3/8 x 1 3/4 bolts)



Outdoor Scoreboard Installation 3 Column Multi-Section	
Drawn KAB	Date 1/10/2017

NEVCO

Nevco, Inc.
Greenville, Illinois 62246

Drawing No. 241-0414

Sheet 4 of 4