


Rev	
-----	--

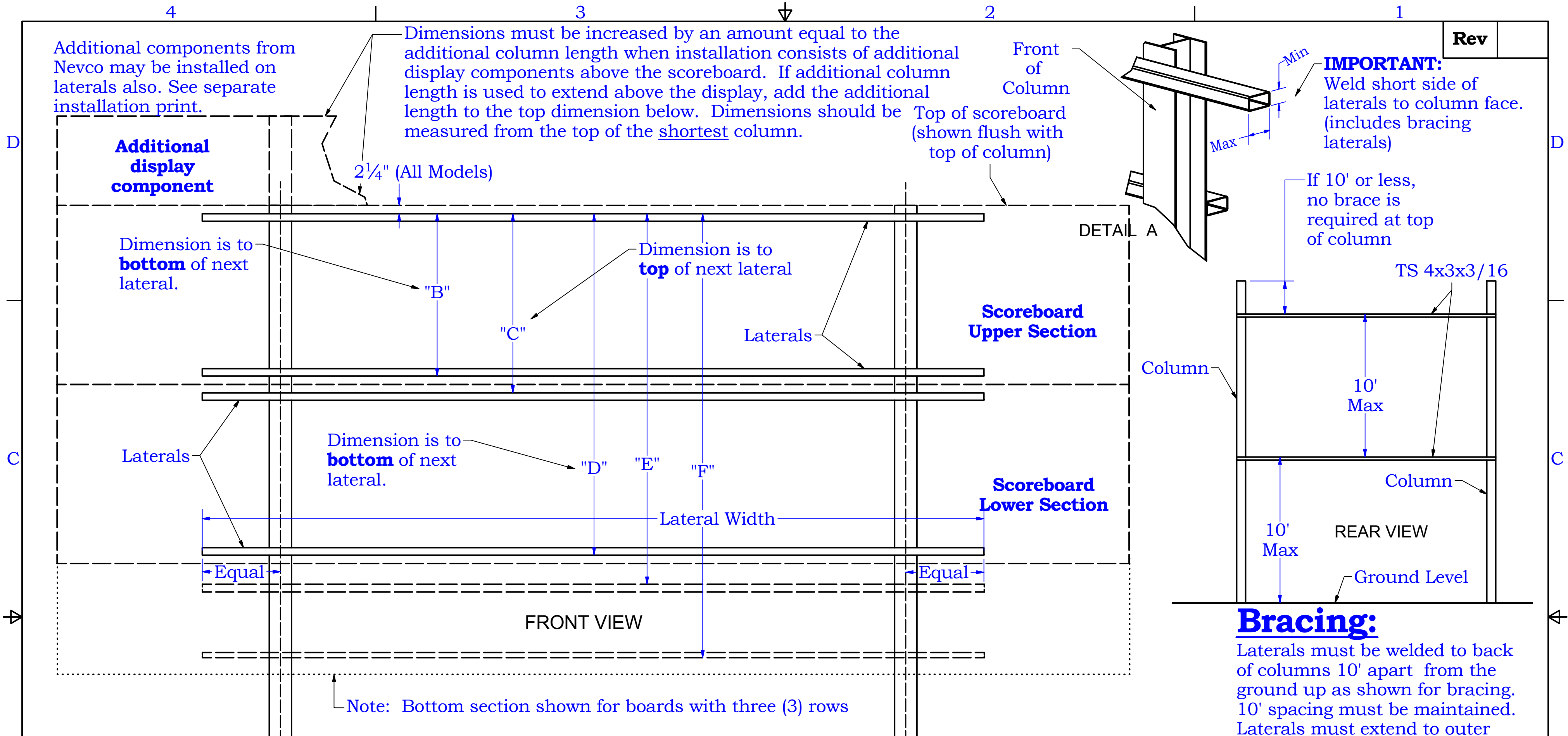
LATERAL REQUIREMENTS

Model	105 mph Lateral	120 mph Lateral	130 mph Lateral	150 mph Lateral	180 mph Lateral	# Laterals Req.	Lateral Length	Bracing Laterals
1603, 3616, 7616	TS 3 x 3 x 1/8	TS 3 x 3 x 3/16	TS 3 x 3 x 3/16	TS 3 x 3 x 1/4	TS 3 x 3 x 5/16	4	31' 6"	TS 4 x 3 x 3/16
3657, 3688	TS 2.25 x 2.25 x 3/16	TS 2.25 x 2.25 x 3/16	TS 2.5 x 2.5 x 3/16	TS 2.5 x 2.5 x 1/4	TS 3 x 3 x 1/4	4	25' 6"	TS 4 x 3 x 3/16
3620, 7620	TS 2.5 x 2.5 x 1/8	TS 2.25 x 2.25 x 3/16	TS 2.25 x 2.25 x 3/16	TS 2.5 x 2.5 x 3/16	TS 3 x 3 x 3/16	4	25' 6"	TS 4 x 3 x 3/16
1604	TS 3 x 3 x 1/4	TS 4 x 2.5 x 3/16	TS 4 x 2.5 x 3/16	TS 5 x 3 x 3/16	TS 5 x 3 x 1/4	4	21' 6"	TS 4 x 3 x 3/16
7605, 7615, 7625	TS 3 x 3 x 1/8	TS 3 x 3 x 3/16	TS 3 x 3 x 3/16	TS 3 x 3 x 3/16	TS 3 x 3 x 1/4	6	17' 6"	TS 4 x 3 x 3/16
1606, 3615, 3617 3618, 3619, 3685, 7630, 7631, 7632, 7685, 8601, 8602	TS 3 x 3 x 1/8	TS 3 x 3 x 3/16	TS 3 x 3 x 3/16	TS 3 x 3 x 1/4	TS 3 x 3 x 1/4	4	17' 6"	TS 4 x 3 x 3/16
3621, 3682	TS 3 x 3 x 1/8	TS 3 x 3 x 3/16	TS 3 x 3 x 1/4	TS 3 x 3 x 5/16	TS 5 x 3 x 1/4	4	19' 6"	TS 4 x 3 x 3/16

Notes:

- 1) Lateral material to be ASTM A500 Grade B minimum.
- 2) Quantity of laterals in the chart above includes the quantity required to mount the scoreboard only and does not include bracing laterals. (See detail on sheet 2 to determine required amount of bracing laterals).
- 3) Additional display components such as signs, message centers or video displays will require additional laterals. See separate installation print for details.

Outdoor Scoreboard Installation 2/3 Column With Laterals		 NEVCO Nevco, Inc. Greenville, Illinois 62246	
		Drawing No. 241-0415	
Drawn KAB	Date 2/1/2016	Sheet 1 of 4	



Lateral and Hardware Requirements for 3 row Boards(hardware supplied by others)

Model Number	Dim "B"	C	D	E	F	Lateral Width	3/8 Washers	3/8 Lock	3/8 Nuts
7605,7615, 7625	25 7/8	30 1/16	73 15/16	78 3/16	122	17'6"	72	36	36

Lateral and Hardware Requirements for 2 row Boards(hardware supplied by others)

Model #	Dim "B"	Dim "C"	Dim "D"	Lateral Width	3/8 Washers	3/8 Lock Washers	3/8 Nuts
3616, 7616	55 3/4"	60 1/8"	115 7/8"	31' 6"	64	32	32
1603	43 3/4"	48 1/8"	103 7/8"	31' 6"	64	32	32
3657	55 3/4"	60 1/8"	115 7/8"	25' 6"	64	32	32
3620, 7620, 3688	43 3/4"	48 1/8"	91 7/8"	25' 6"	64	32	32
1604	43 3/4"	48 1/8"	91 7/8"	21' 6"	48	24	24
1606, 3615, 3617 3618, 3619, 3685, 7630, 7631, 7632, 7685, 8601, 8602	43 3/4"	48 1/8"	91 7/8"	17' 6"	48	24	24
3621, 3682	43 3/4"	48 1/8"	91 7/8"	19' 6"	48	24	24

Required Hand Tools:


1. Drill with phillips driver.
2. 9/16" wrench
3. Ratchet wrench and 9/16" socket
4. Level
5. Tape measure

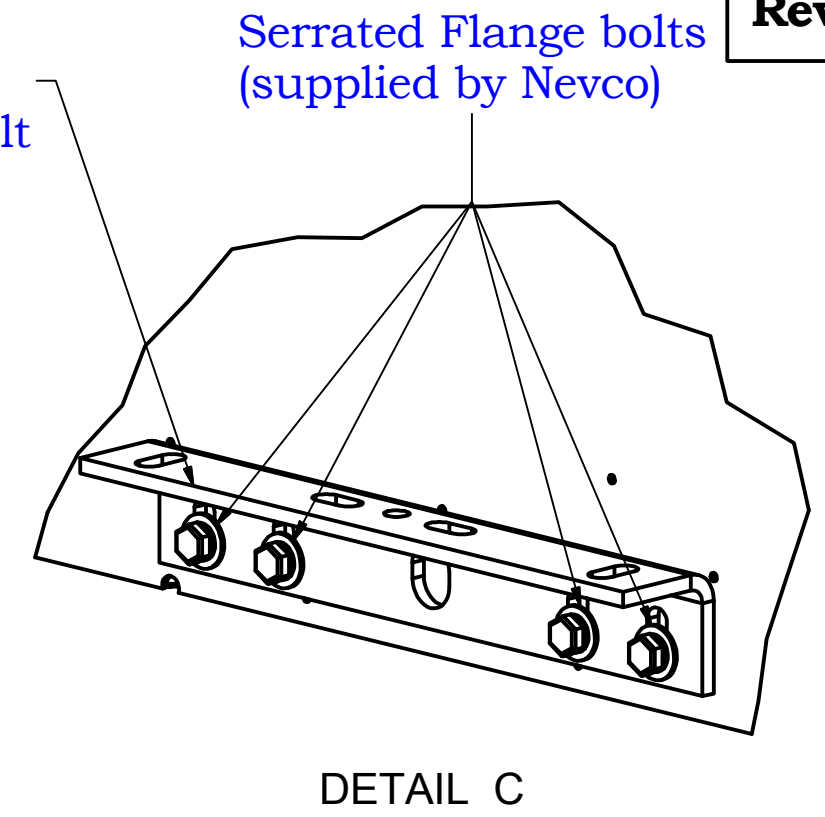
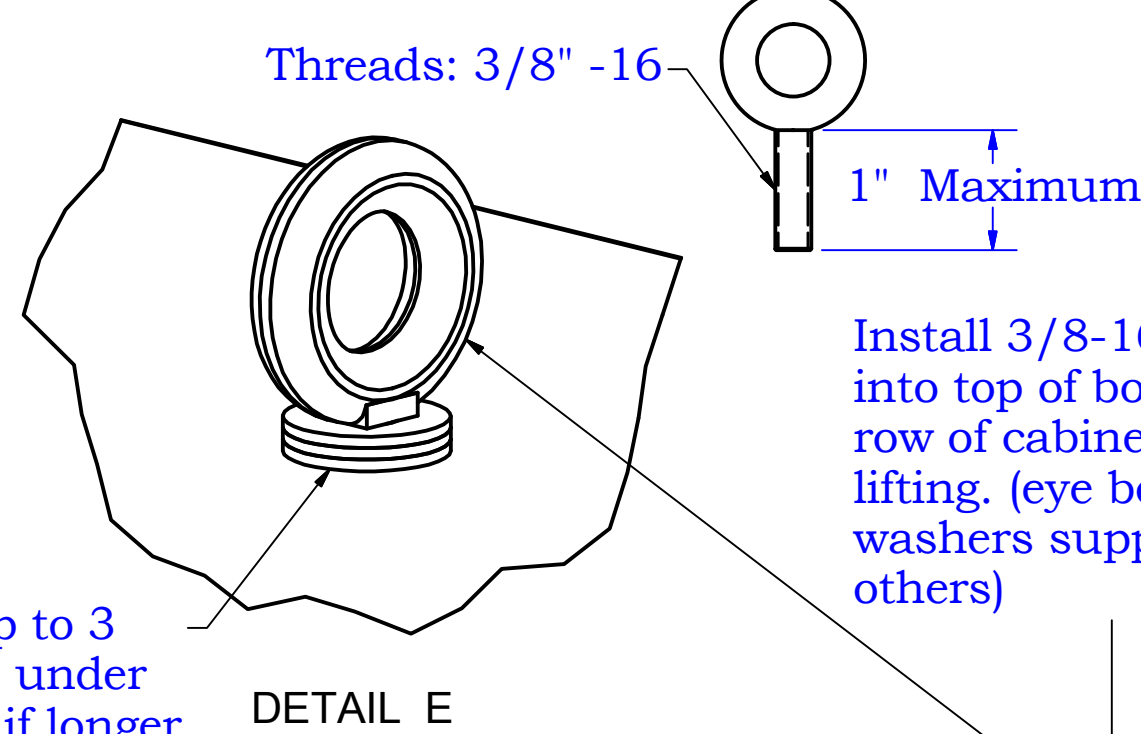
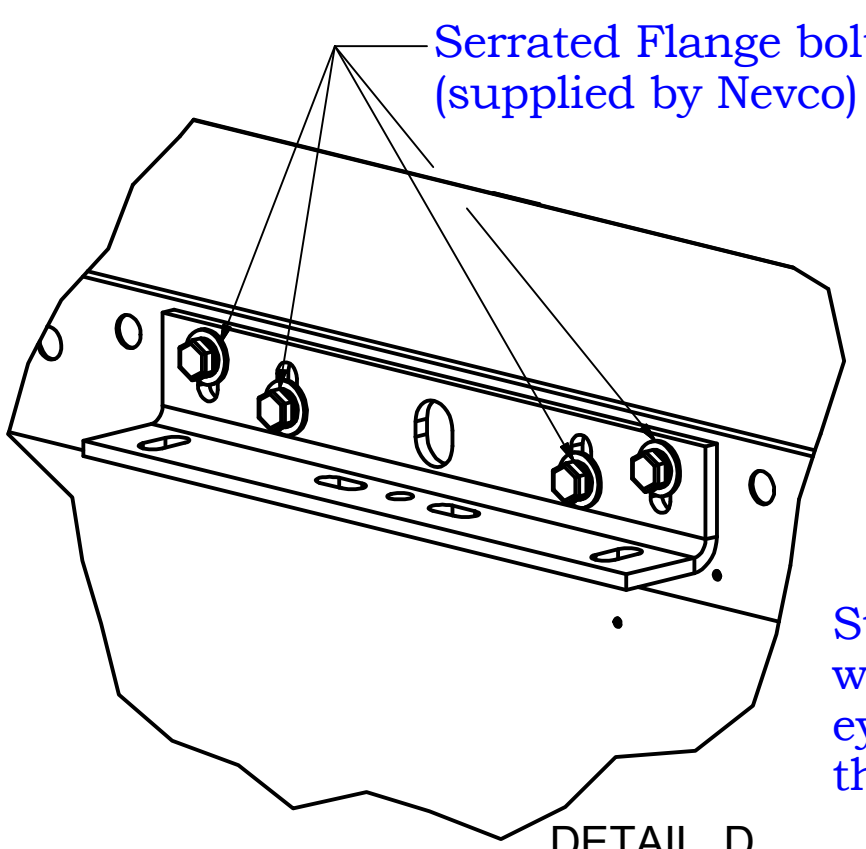
Hardware Notes:

- 1) Minimum bolt grade: A307.
- 2) Hardware above is not required if welding brackets to laterals.
- 3) **Consider lateral size when choosing bolt length.**

General Notes:

- 1) See sheet 1 for lateral size requirements.
- 2) Center and weld Laterals to front face of columns (weld around full perimeter of contact surface with 3/16 fillet).
- 3) Dimensions above should be taken from the top of the **SHORTEST** column, marked and leveled across to other column.
- 4) Mounting Brackets shipped in separate container.

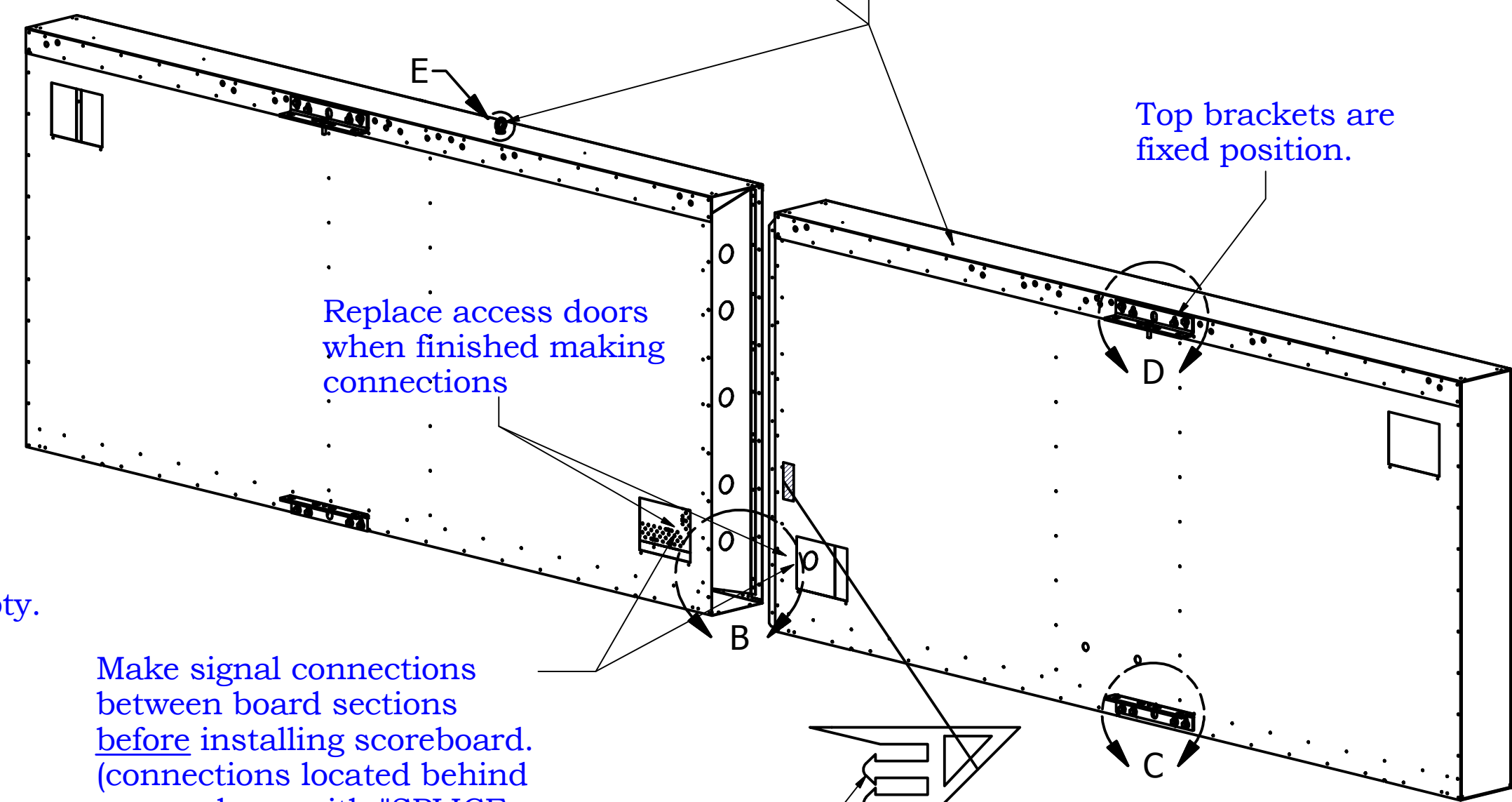
Outdoor Scoreboard Installation 2/3 Column With Laterals		 Nevco, Inc. Greenville, Illinois 62246
Drawing No. 241-0415		
Drawn KAB	Date 2/1/2016	Sheet 2 of 4



Stack up to 3 washers under eye bolt if longer than 1"

Slide bottom bracket up and tighten one bolt to hold in place

Install 3/8-16 eye bolts into top of board (lower row of cabinets 1st) for lifting. (eye bolts and washers supplied by others)



WARNING:
Do not leave any screw locations empty.

Make signal connections between board sections before installing scoreboard. (connections located behind access doors with "SPlice ENCLOSURE" label)

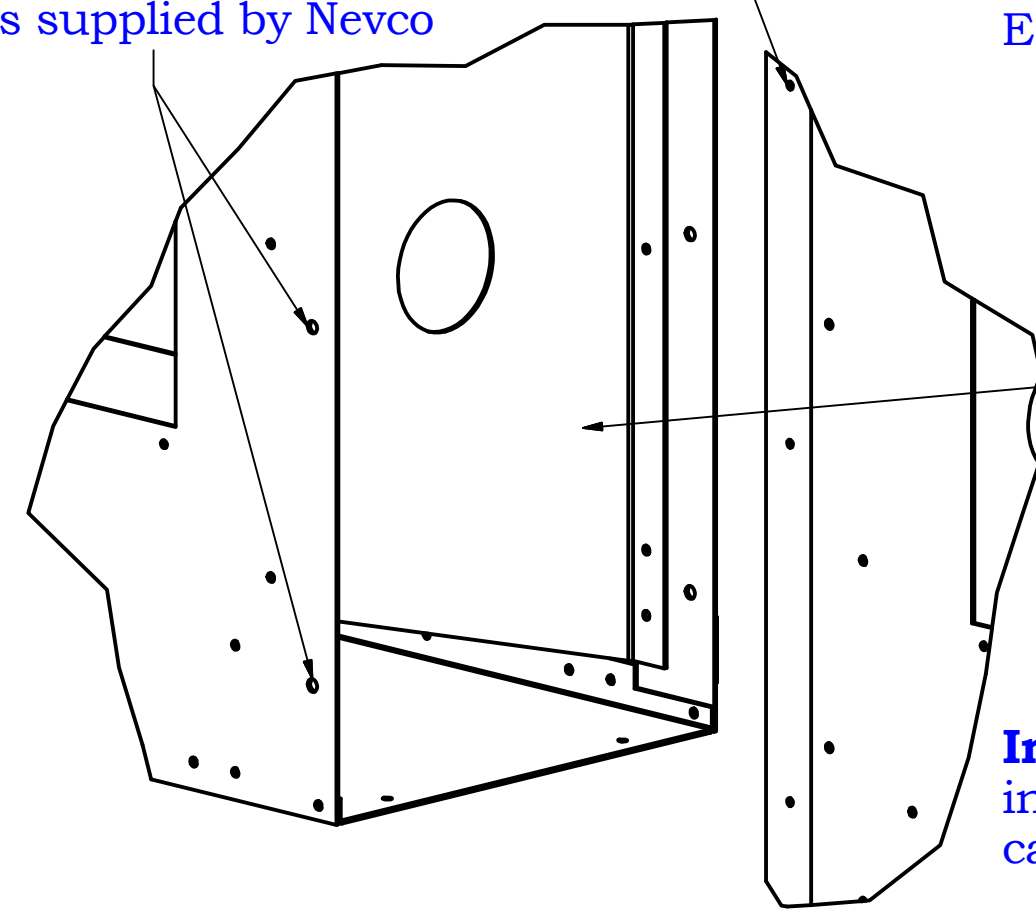
Secure connections to hangers located inside cabinets.

Screw sections together front and back using screws supplied by Nevco

Insert extended flange into mating section (make sure both flanges of male end go to inside of female end)

Important: Screw sections together prior to installing board onto columns. (Upper row of cabinets and lower row of cabinets do not connect)

- Notes:
- 1) Signal connections from lower row of cabinets to upper row should be made after both rows have been installed on columns. (see sheet 4 for details)
 - 2) Make sure all bracket bolts are tight before installing scoreboard.



Outdoor Scoreboard Installation 2/3 Column With Laterals		<p>Nevco, Inc. Greenville, Illinois 62246</p>
Drawn KAB	Date 2/1/2016	Sheet of 3 4

Remove eye bolts from first row and install on second row

Spreader bar preferred for lifting (see installation instructions for more details)

Make power/signal connections between upper and lower rows of cabinets after board has been installed.
- connections located behind access doors labeled "splice enclosure"
- Pull cables from lower section into upper section (connections must be made and permanently located in upper section)

CABLE HANGER

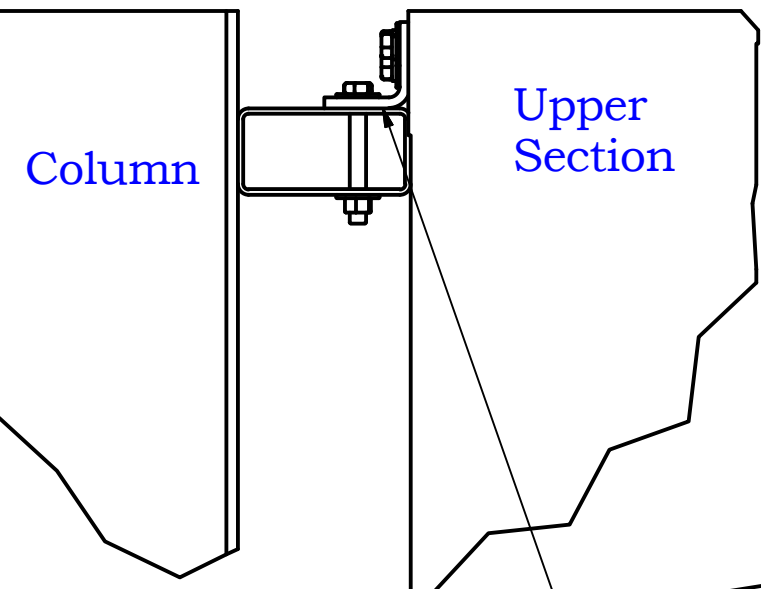
DETAIL I

WARNING:

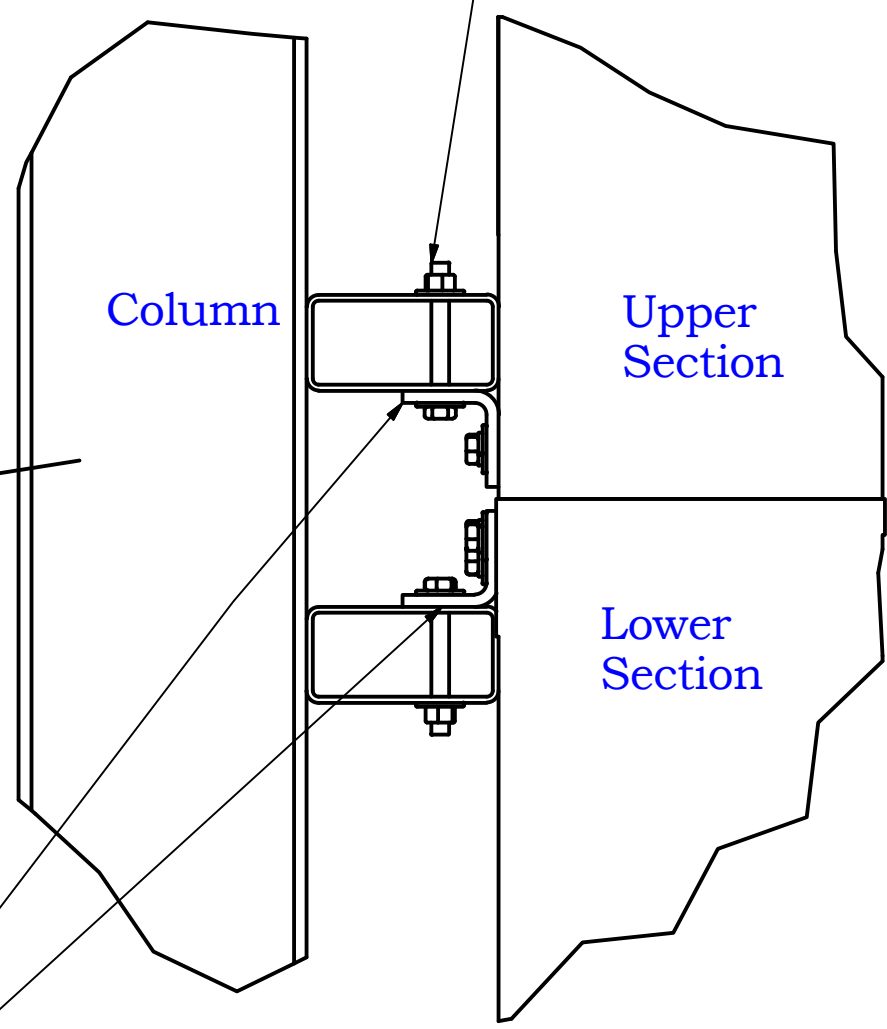
Do not lift scoreboards with any additional weight attached such as laterals or other structural components

Step 1
Install Bottom Row

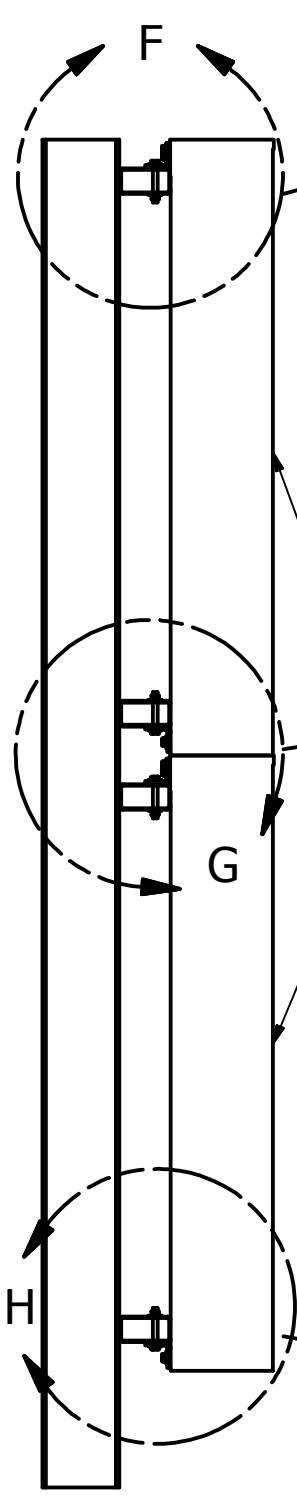
Step 2
Install Top Row



DETAIL F



DETAIL G



DETAIL H

Weld (3/16 fillet) or Bolt brackets to laterals using 3/8 bolts, nuts, washers and lock washers supplied by others. (bolt length to be determined by installer; See lateral size required on sheet 1)

Outdoor Scoreboard Installation 2/3 Column With Laterals	
Drawn	KAB
Date	2/1/2016

NEVCO
Nevco, Inc.
Greenville, Illinois 62246

Drawing No.	241-0415
Sheet of	4 4

