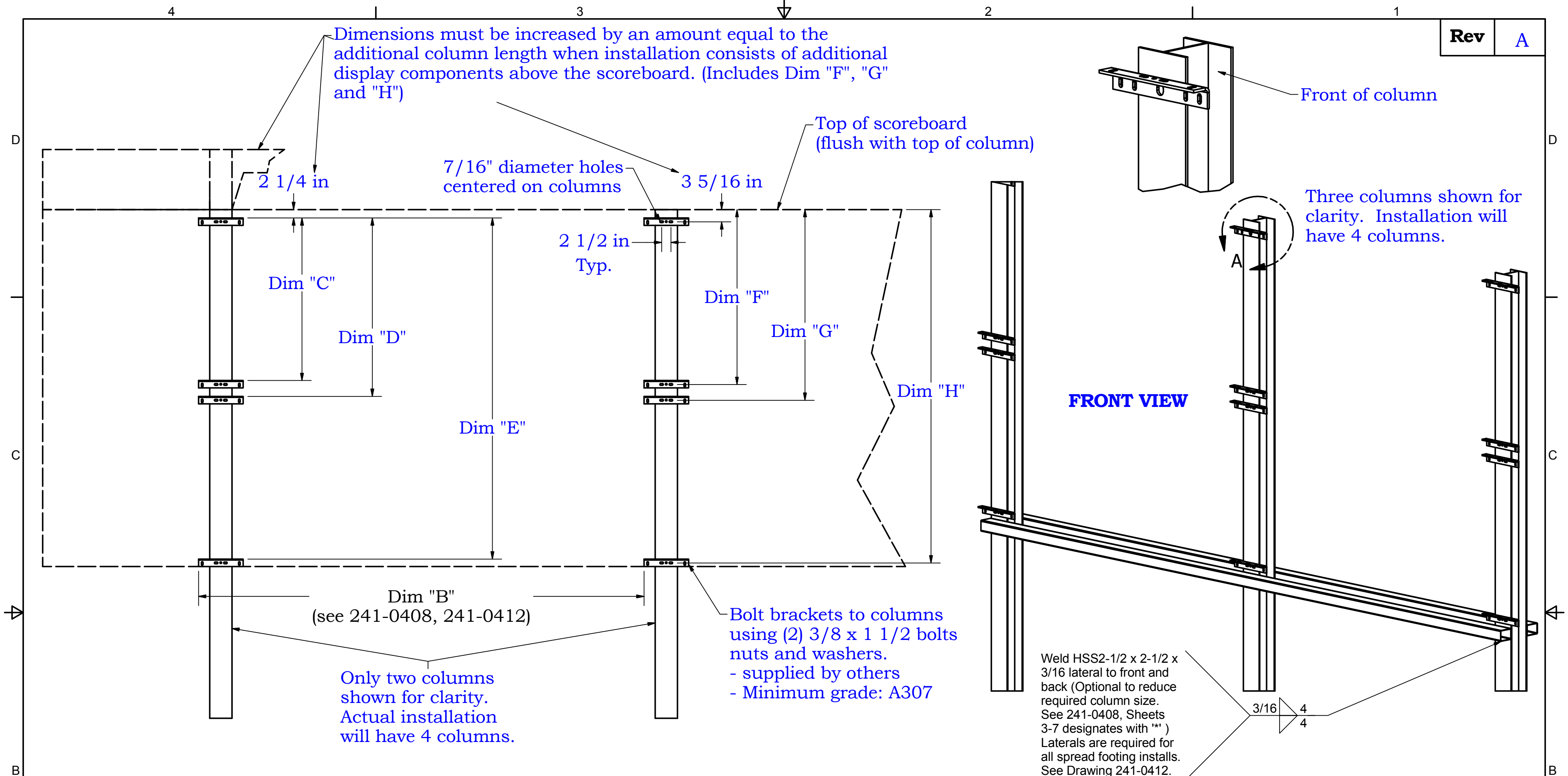


Dimensions must be increased by an amount equal to the additional column length when installation consists of additional display components above the scoreboard. (Includes Dim "F", "G" and "H")



Model #	WELDING DIMENSIONS			BOLTING DIMENSIONS		
	Dim "C"	Dim "D"	* Dim "E"	Dim "F"	Dim "G"	Dim "H"
1603	43 7/8"	48 1/8"	103 15/16"	47 5/32"	51 7/16"	107 1/4"
3620, 7620 3688, 7688	43 7/8"	48 1/8"	91 15/16"	47 5/32"	51 7/16"	95 1/4"
3604, 3616 3657, 7616	55 7/8"	60 1/8"	115 15/16"	59 5/32"	63 7/16"	119 1/4"


HARDWARE SUPPLIED BY OTHERS	
Description	Quantity
3/8 x 1 1/2 Bolt	32
3/8 Flat Washer	64
3/8 Lock Washer	32
3/8 Nut	32
3/8-16 eye bolts (see sheet 2)	2

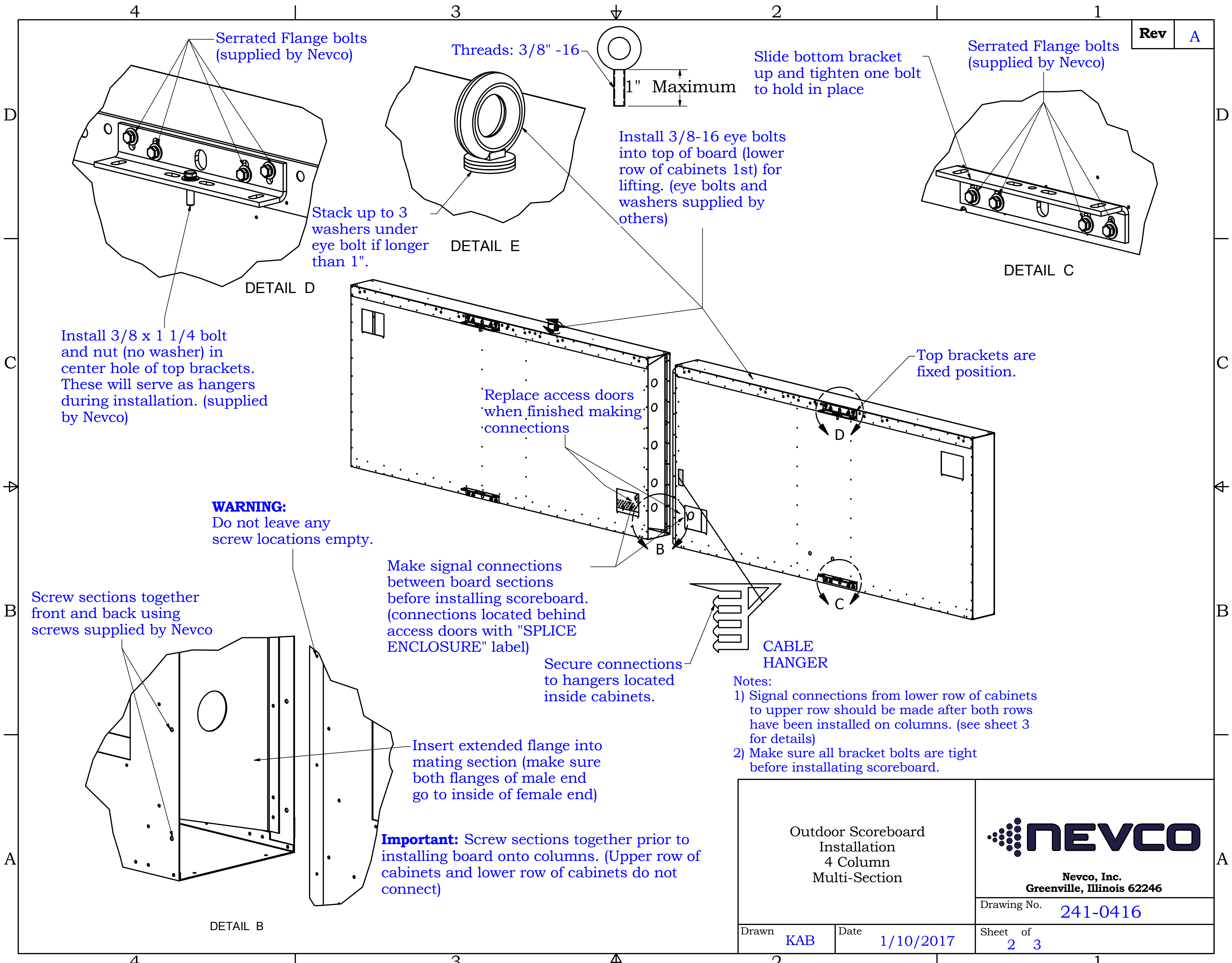
Required Hand Tools:

1. Phillips head screw driver/drill with phillips driver.
2. 9/16" wrench
3. Ratchet wrench and 9/16" socket
4. Level
5. Tape measure

Notes:

- 1) If welding brackets to columns, weld around full contact surface of brackets.
- 2) **FOR HIGH WIND AREAS:** For installations in wind zones higher than 150 mph, brackets must be welded to columns.
- 3) Dimensions above should be taken from the top of the SHORTEST column, marked and leveled across to other column.
- 4) Brackets shipped in separate container.

Outdoor Scoreboard Installation 4 Column Multi-Section		 Nevco, Inc. Greenville, Illinois 62246	
Drawn	KAB	Date	1/10/2017
Sheet		of	
1		3	



Serrated Flange bolts (supplied by Nevco)

Threads: 3/8" -16

1" Maximum

Slide bottom bracket up and tighten one bolt to hold in place

Serrated Flange bolts (supplied by Nevco)

Stack up to 3 washers under eye bolt if longer than 1".

DETAIL E

DETAIL C

DETAIL D

Install 3/8 x 1 1/4 bolt and nut (no washer) in center hole of top brackets. These will serve as hangers during installation. (supplied by Nevco)

Replace access doors when finished making connections

Top brackets are fixed position.

**WARNING:**  
Do not leave any screw locations empty.


Make signal connections between board sections before installing scoreboard. (connections located behind access doors with "SPICE ENCLOSURE" label)

Secure connections to hangers located inside cabinets.

Insert extended flange into mating section (make sure both flanges of male end go to inside of female end)

**Important:** Screw sections together prior to installing board onto columns. (Upper row of cabinets and lower row of cabinets do not connect)

- Notes:
- 1) Signal connections from lower row of cabinets to upper row should be made after both rows have been installed on columns. (see sheet 3 for details)
  - 2) Make sure all bracket bolts are tight before installing scoreboard.

Outdoor Scoreboard Installation 4 Column Multi-Section		 Nevco, Inc. Greenville, Illinois 62246		
				Drawing No. 241-0416
Drawn	KAB	Date	1/10/2017	Sheet of 2 3

DETAIL B

Remove eye bolts from first row and install on second row

Spreader bar preferred for lifting (see installation instructions for more details)

Note: Details below show only two columns for clarity. Actual installation will have 4 columns.

Make power/signal connection between upper and lower rows of cabinets after board has been installed.  
 - connections located behind access doors)  
 - Pull cables from lower section into upper section (connections must be made and permanently located in upper section)

Tighten all bracket bolts on first row before installing second row.

**WARNING:**  
 Do not lift scoreboards with any other additional weight attached such as laterals or other structural components

Install top row and tighten all bracket bolts.

Secure connections to hangers located inside cabinets.

STEP ONE  
 Install First Row

STEP TWO  
 Install Second Row

Bolt installed in top brackets of each row will serve as hanger.

Scoreboard

Column

Hanging Detail

2 bolts required per bracket set.

DETAIL G

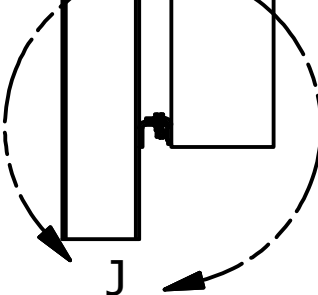
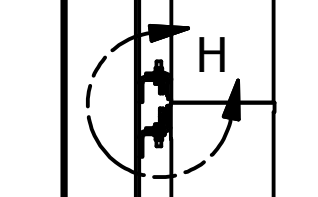
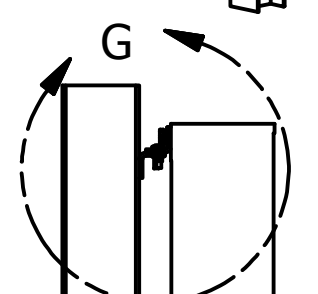
DETAIL H

Column


Scoreboard Bottom

DETAIL J

Bolt brackets together using bolts, nuts, washers and lock washers supplied by Nevco. (3/8 x 1 3/4 bolts)



Side View  
 Scoreboard Installation

Outdoor Scoreboard Installation 4 Column Multi-Section		 Nevco, Inc. Greenville, Illinois 62246	
		Drawing No. 241-0416	
Drawn KAB	Date 1/10/2017	Sheet 1 of 3	