

Extension of columns may be required if mounting Add-On on top of existing display.

Add-On cabinet

New or existing scoreboard.

ADD-ON HEIGHT

Scoreboard Height (see standard instal. print)

ADD-ON HEIGHT

"A"

"B"

"A"

Add-On cabinet

FRONT VIEW

DIMENSIONS AND SPECIFICATIONS

Model	WIDTH	ADD-ON HEIGHT	WEIGHT	DIM "A"	DIM "B"	Std. Instal Print
5633	18'	2' 3/16"	120	4'	10'	241-0413

General Notes:

1. See standard installation print for column and pier depth requirements.
3. Minimum bolt grade: A307
4. All welds to conform to AWS standards

Required Hand Tools:

1. Phillips head screw driver/drill with phillips driver.
2. 9/16" wrench
3. Ratchet wrench and 9/16" socket
4. Level
5. Tape measure

Important. Read before installation.

This is not an engineered drawing. It is intended for representational purposes only. The dimensions called out on this drawing are intended to be used as a guide only, and are not intended to be suitable for all conditions. Adding signs or other components around the scoreboard beyond the scope of this drawing or increasing the display height from the ground will affect the installation requirements. Nevco recommends that you consult a professional engineer or architect familiar with the area before attempting installation. They can verify that the selected mounting beams or posts along with the brackets, screws, and other hardware items provided by others or Nevco are adequate for your local soil conditions, wind loads and other local codes. If procedures are used that are not covered in this drawing, careful analysis of the installation is urged.

Outdoor Scoreboard Installation
2 Column
Multi-Section



Nevco, Inc.
Greenville, Illinois 62246

Drawing No. 241-0418

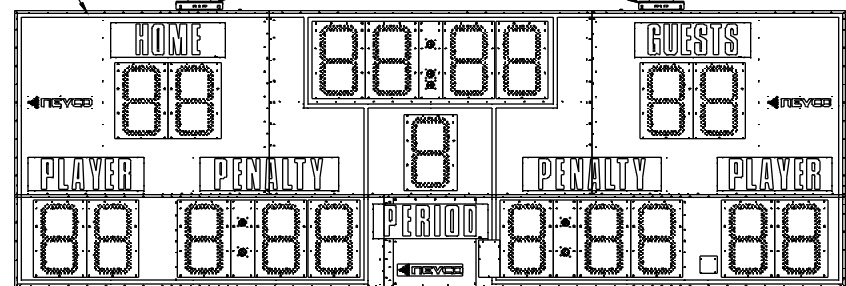
Drawn KAB Date 3/17/2014

Sheet 1 of 4

Brackets for Add-On mounted above new or existing scoreboard.

Brackets centered on columns.

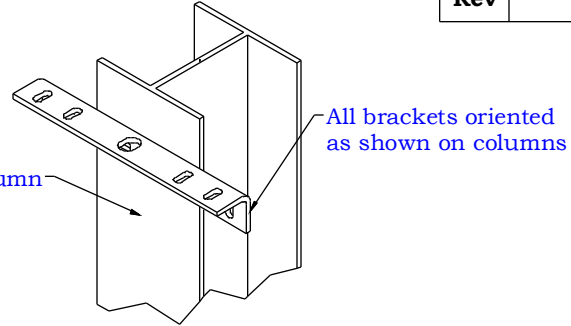
New or existing scoreboard



Weld or bolt brackets to columns using 3/8 bolts, nuts and washers (supplied by others)

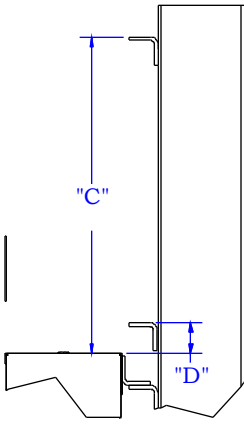
Brackets for Add-On mounted below new or existing scoreboard.

"B" (see sheet 1)

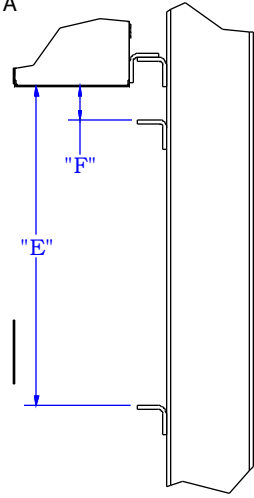


Front of Column

Detail A

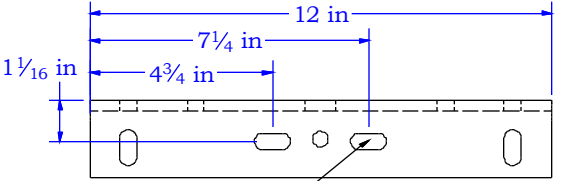


DETAIL B



DETAIL C

Model #	Dim "C"	Dim "D"	Dim "E"	Dim "F"
5633	22"	2 1/8"	22 1/4"	2 3/8"



Slots for bolting to column.



BRACKET DETAIL

HARDWARE SUPPLIED BY OTHERS	
Description	Quantity
3/8 x 1 1/2 Bolt	8
3/8 Flat Washer	16
3/8 Lock Washer	8
3/8 Nut	8
3/8-16 eye bolts (see sheet 4)	2

- Notes:
- 1) If welding brackets to columns, weld around full contact surface of brackets.
 - 2) **FOR HIGH WIND AREAS:** For installations in wind zones higher than 150 mph, brackets must be welded to columns.
 - 3) Brackets shipped in separate container.

Outdoor Scoreboard Installation 2 Column Multi-Section		<p>Neveco, Inc. Greenville, Illinois 62246</p>
Drawing No. 241-0418		
Drawn KAB	Date 3/17/2014	Sheet of 4

4

3

2

1

D

C

B

A

D

C

B

A

Serrated Flange bolts
(supplied by Nevco)

Threads: 3/8" -16

1" Maximum

Slide bottom bracket
up and tighten one bolt
to hold in place

Serrated Flange bolts
(supplied by Nevco)

Stack up to 3
washers under
eye bolt if longer
than 1".

Install 3/8-16 eye bolts
into top of board (lower
row of cabinets 1st) for
lifting. (eye bolts and
washers supplied by
others) **Do not use eye
bolts if installing below
existing scoreboard.**

(Top Brackets)

(Bottom Brackets)

Install 3/8 x 1 1/4 bolt
and nut (no washer) in
center hole of top brackets.
These will serve as hangers
during installation. (supplied
by Nevco) **Do not use hanger
bolt if installing below
existing scoreboard.**

Electrical connections between
cabinets can be made before
installing board on columns.

Remove access doors on back
of cabinet to make connections
Replace doors when finished.

Bolt 4 brackets to
board as shown using
Serrated Flange bolts
supplied by Nevco.

MULTI-SECTION
PITCH COUNT
DISPLAYS

WARNING:
Do not leave any
screw locations empty.


Secure connections
to hangers located
inside cabinets.

CABLE
HANGER

Slide extended flange of
male cabinet into female
cabinet. Screw sections
together with sheet metal
screws front and back.
(screws supplied by Nevco)

MULTI-SECTION ADD-ON
Screwing Sections Together

Important: Screw
sections together prior to
installing board onto
columns.

Outdoor Scoreboard Installation 2 Column Multi-Section		 Nevco, Inc. Greenville, Illinois 62246	
Drawn	KAB	Date	3/17/2014
		Sheet	of 3 4

Drawing No. 241-0418

4

3

4

2

1

Lift using eye bolts (spreader bar preferred; see installation instructions for more details)

WARNING:
Do not lift cabinets with any other additional weight attached such as laterals or other structural components

Optional: If not mounting with an existing scoreboard, mount Add-On first. This allows use of eye bolts for lifting.

Do not use eye bolts to lift.

1/8" gap between Add-On and scoreboard

1/8" gap between Add-On and scoreboard

MOUNTING ADD-ON ABOVE SCOREBOARD

MOUNTING ADD-ON BELOW SCOREBOARD

Add-On

Important: Bolt serves as hanger only. 2 additional bolts still required to bolt brackets together.

Bolt installed in top brackets serve as hanger.

2 bolts required per bracket set.

Important: Do not use hanger bolt if installing below existing scoreboard.

Bolt brackets together using 3/8 x 1 3/4 bolts, nuts, washers and lock washers supplied by Nevco. (2 bolts required)

Hanging Detail

Column

Cabinet Top

Add On

Scoreboard

Add On

Column

Cabinet Bottom

Column

Bracket orientation typical for mounting Add On below.

Scoreboard not shown for clarity

Outdoor Scoreboard Installation
2 Column Multi-Section



Nevco, Inc.
Greenville, Illinois 62246

Drawing No. 241-0418

Drawn KAB

Date 3/17/2014

Sheet of 4 4

