

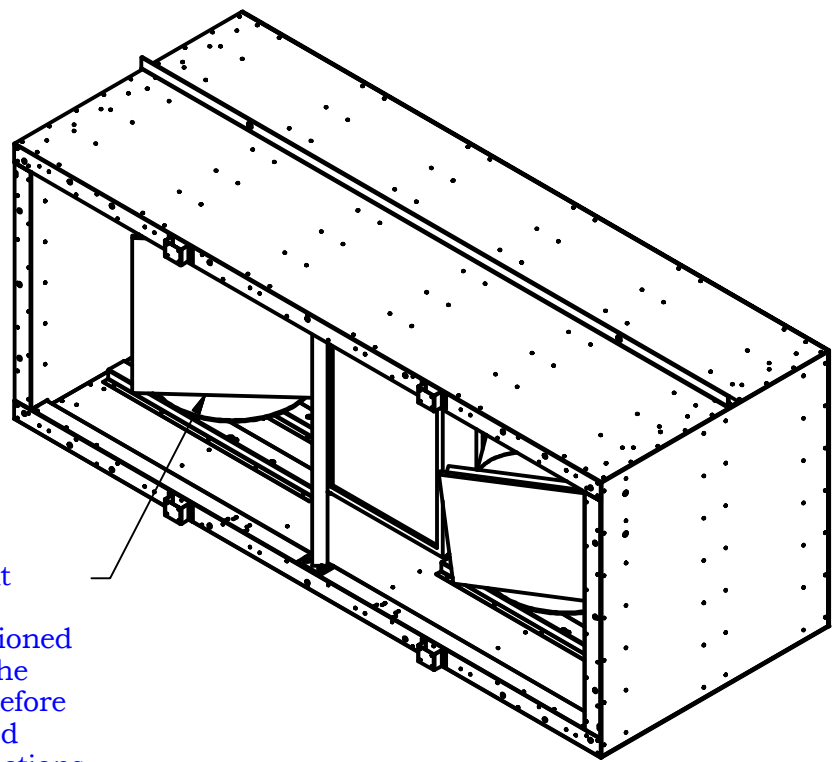
Important. Read before installation.

This is not an engineered drawing. It is intended for representational purposes only. The dimensions called out in this drawing are intended to be used as a guide only, and are not intended to be suitable for all conditions.

Nevco recommends that you consult a professional engineer or architect familiar with the area before attempting installation. They can verify that the selected mounting laterals and columns, along with the brackets, screws, and other hardware items provided by you or Nevco are adequate for your local soil conditions, wind loads or other conditions. If procedures are used that are not covered in this drawing, careful analysis of the installation is urged.

Step One. Unpack cabinet

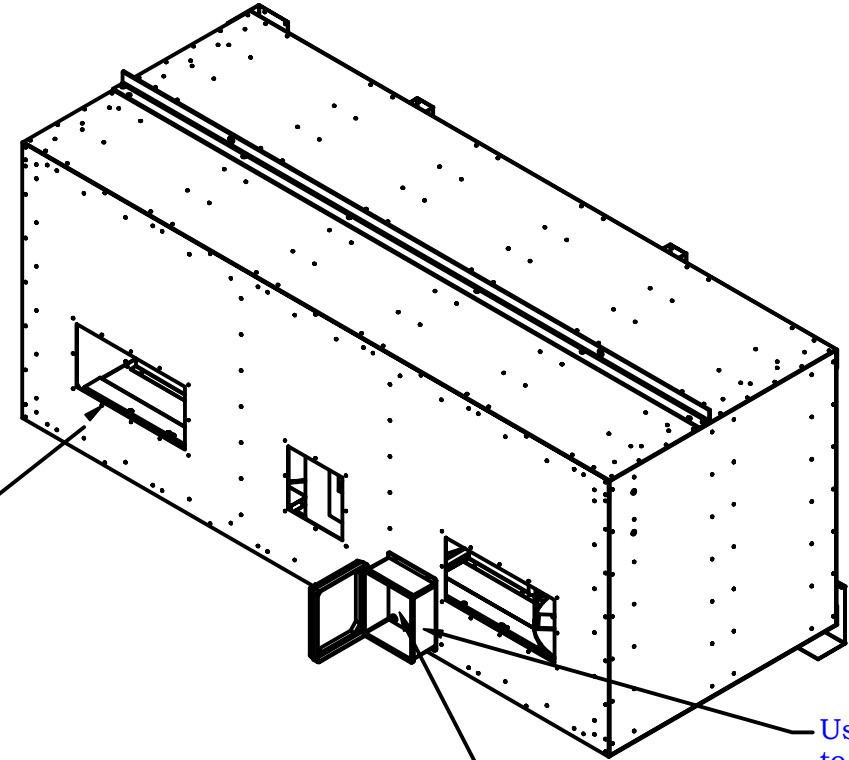
Unpack speaker from crating and check for damage. Do not lift cabinet until step three.



It is suggested that the speaker horns be tentatively positioned so that they face the correct direction before the speaker is lifted into position - directions are found on sheet 3

Step Two. Install electrical box and wiring.

Remove all three access doors and retain screws

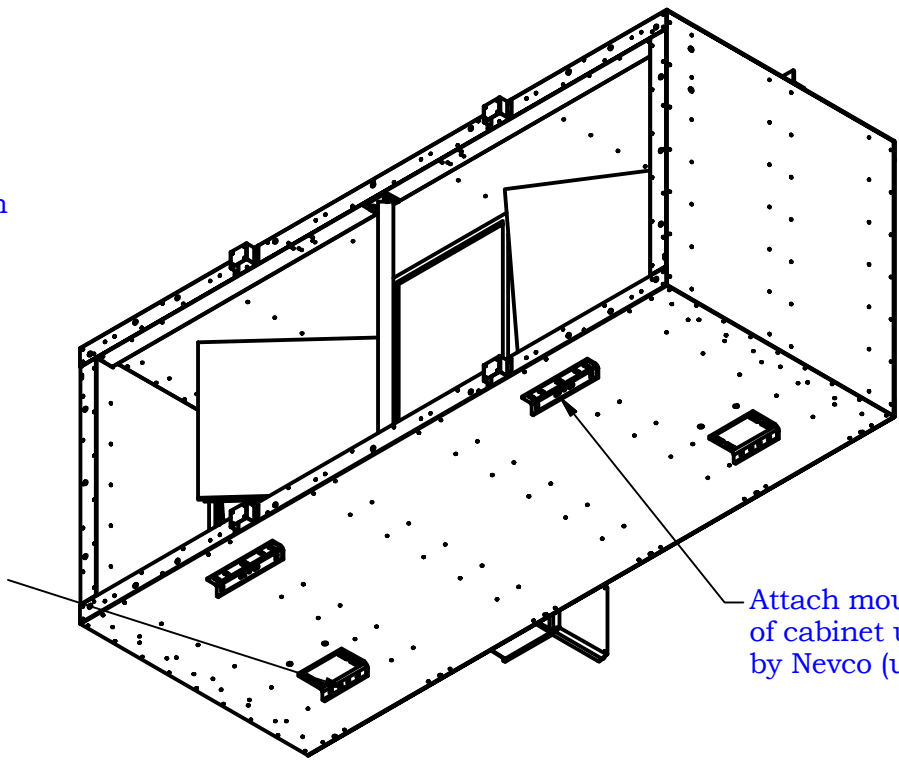


Use 2" conduit to run signal/power to cabinet (See print Dwg-0763)

Speaker cables terminate in box so that final connections can be made after speaker box is installed


Step Three. Attach mounting brackets

Back mounting brackets will be installed after speaker box is in position. Adjust to fit back lateral.



Attach mounting brackets to bottom of cabinet using 3/8" bolts supplied by Nevco (use all 8 bolts)

Estimated weight of single cabinet - 708 lbs (dimensions on sheet 2)

Installation SP-1000/2000 Speaker System		 Nevco, Inc. Greenville, Illinois 62246	
Last ECO		Drawing No. 241-0442	
Drawn BRS	Date 5/21/2015	Sheet 1 of 5	

Step Four. Lift speaker into place and install

Lift at these two points only. Make sure that lift bar is securely attached to cabinet before lifting.

Center cabinet between columns
Lift bar may be removed after speaker cabinet is secured to laterals

44³/₈ in

Front View

108 in

8¹⁵/₁₆ in

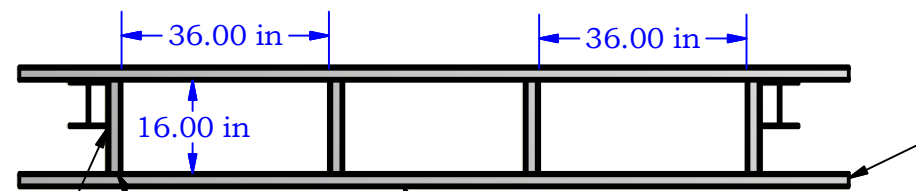
42¹/₁₆ in

Side View

Minimum distance between laterals is 16 inches

If column is less than required minimum distance, build ladder framework as shown below

Laterals must be a minimum of 2¹/₂ x 2¹/₂ x 3/16 steel tubing




Weld outer supports to columns

Weld back and front lateral to cross supports

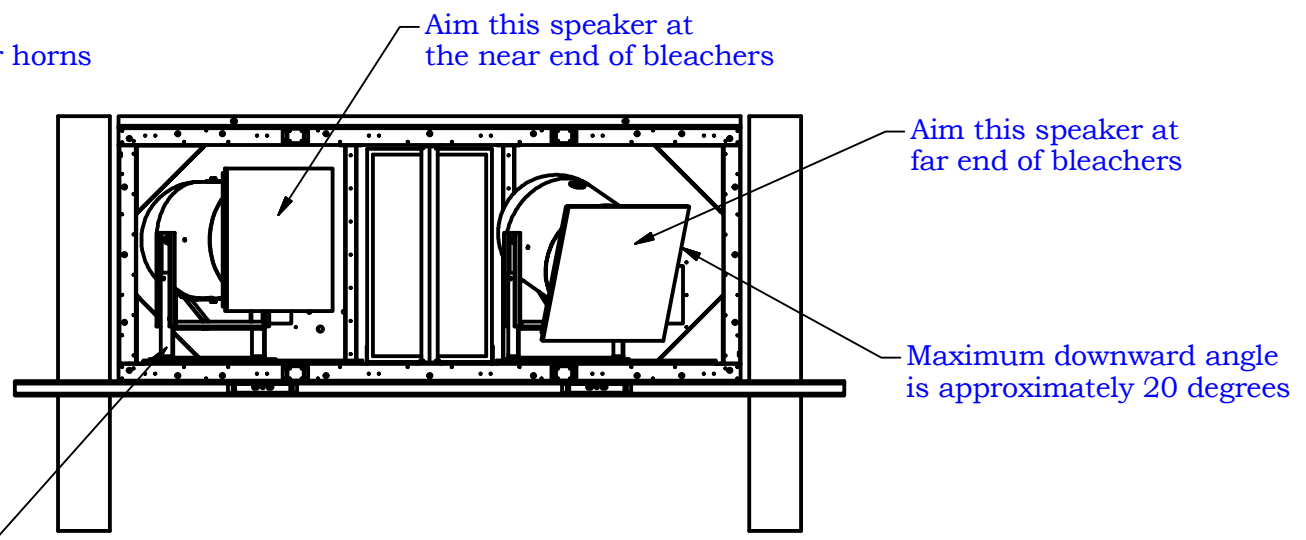
Tubing 2¹/₂ x 2¹/₂ x 3/16 typical

Weld/Bolt brackets to laterals

Bottom View from Back of Installation

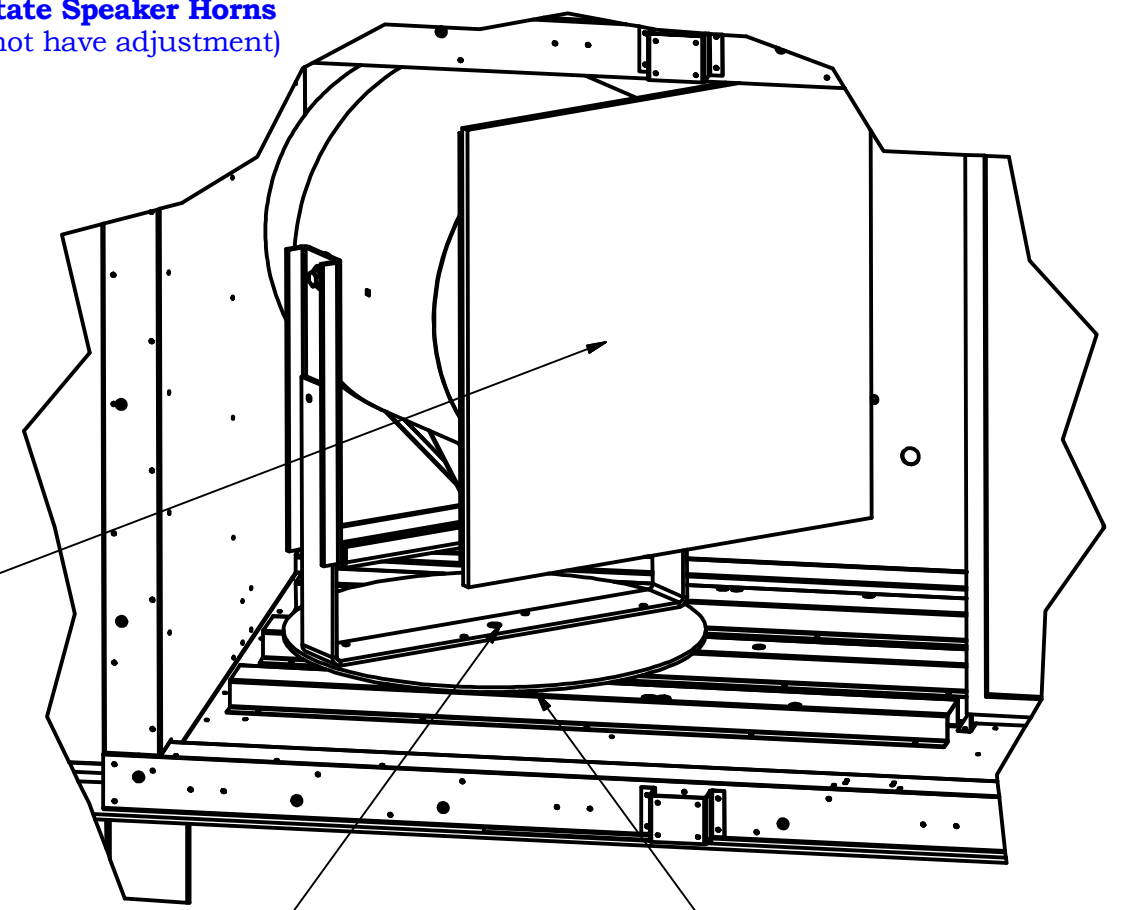
Installation SP-1000/2000 Speaker System		 NEVCO Nevco, Inc. Greenville, Illinois 62246
Last ECO	Date	
Drawn BRS	Date 5/21/2015	Sheet 2 of 5

Step Five. Adjust speaker horns



Maximum rotation angle (note location of speaker) is approximately 42 degrees

Position and Rotate Speaker Horns
(Subwoofer does not have adjustment)

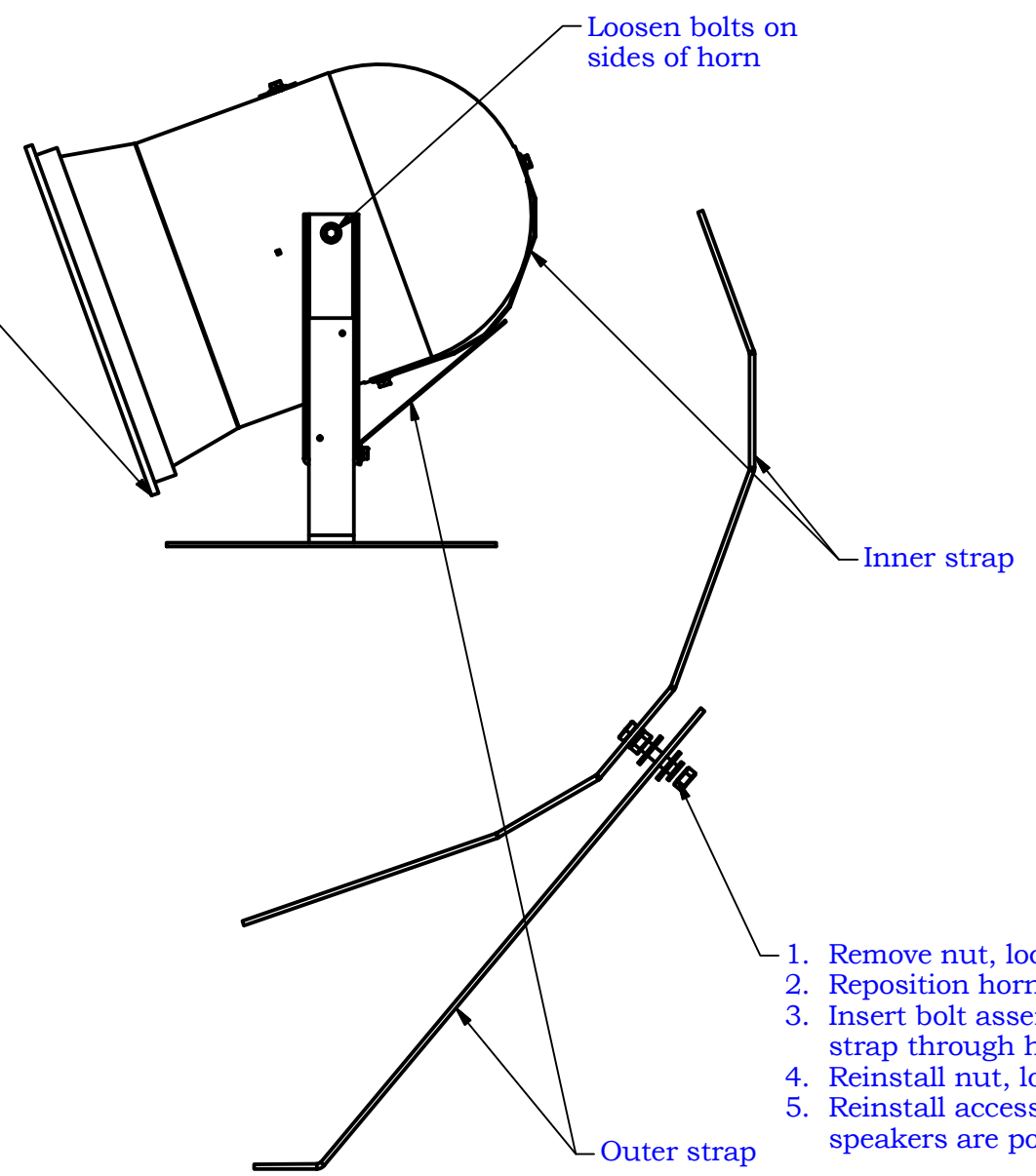


Nevco suggests that one speaker horn be pointed near each end of the home bleachers approximately halfway up

Speaker horn positions and rotates on center bolt here (mounting rail has left, center and right positions)

Front and back rail have bolts/washers here to keep horn from turning. After positioning on center rail snug these bolts.

Adjust tilt angle of speaker horns



1. Remove nut, lock, and washer
2. Reposition horn
3. Insert bolt assembly on inner strap through hole of outer strap
4. Reinstall nut, lock, and washer
5. Reinstall access doors after speakers are positioned

Installation
SP-1000/2000
Speaker System



Nevco, Inc.
Greenville, Illinois 62246

Last ECO
Drawn **BRS** Date **5/21/2015**

Drawing No. **241-0442**
Sheet **3** of **5**

Step Six. Attach speaker jersey

Step Seven. Attach trim

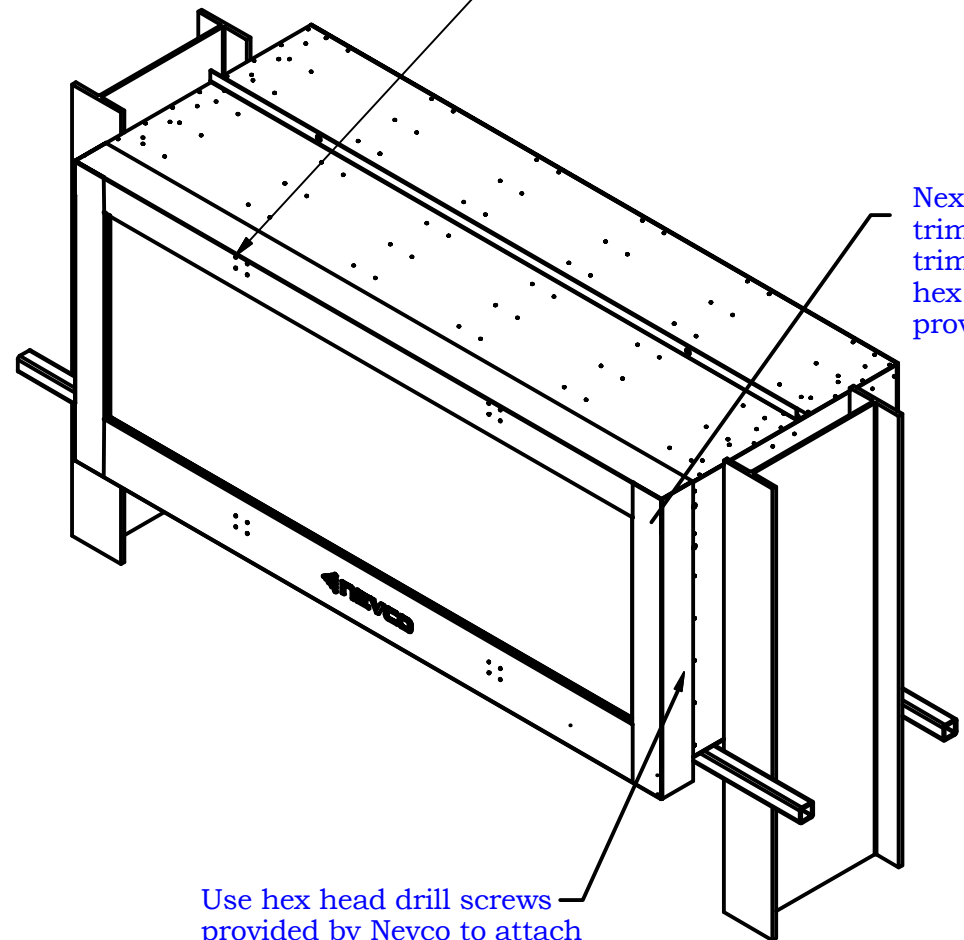
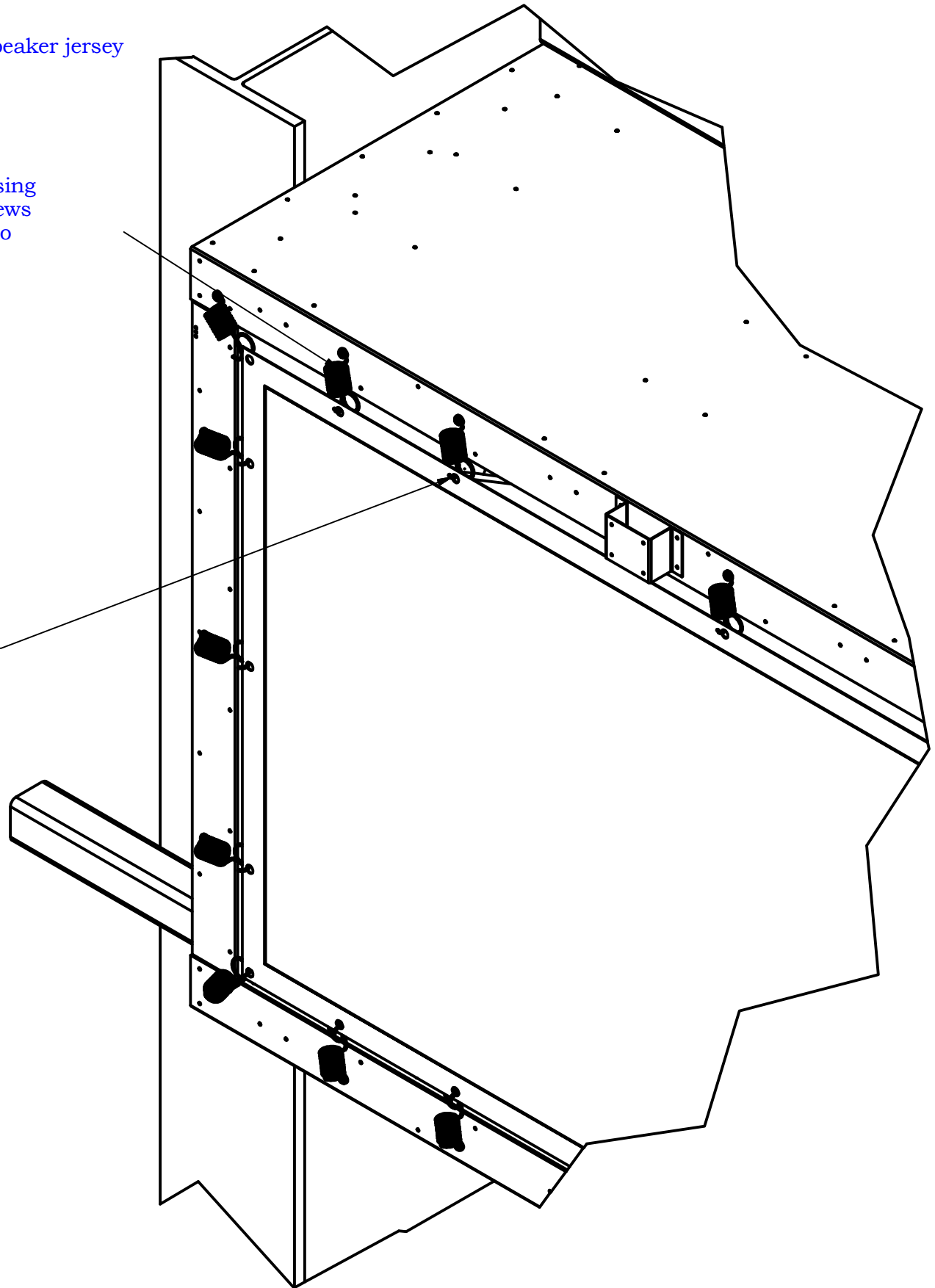
Install springs using 1/4" pan head screws supplied by Nevco


Attach horizontal trim pieces first using pan head screws provided by Nevco here (both top and bottom)

Install jersey with installed springs through grommet (make sure there is a spring in each grommet)

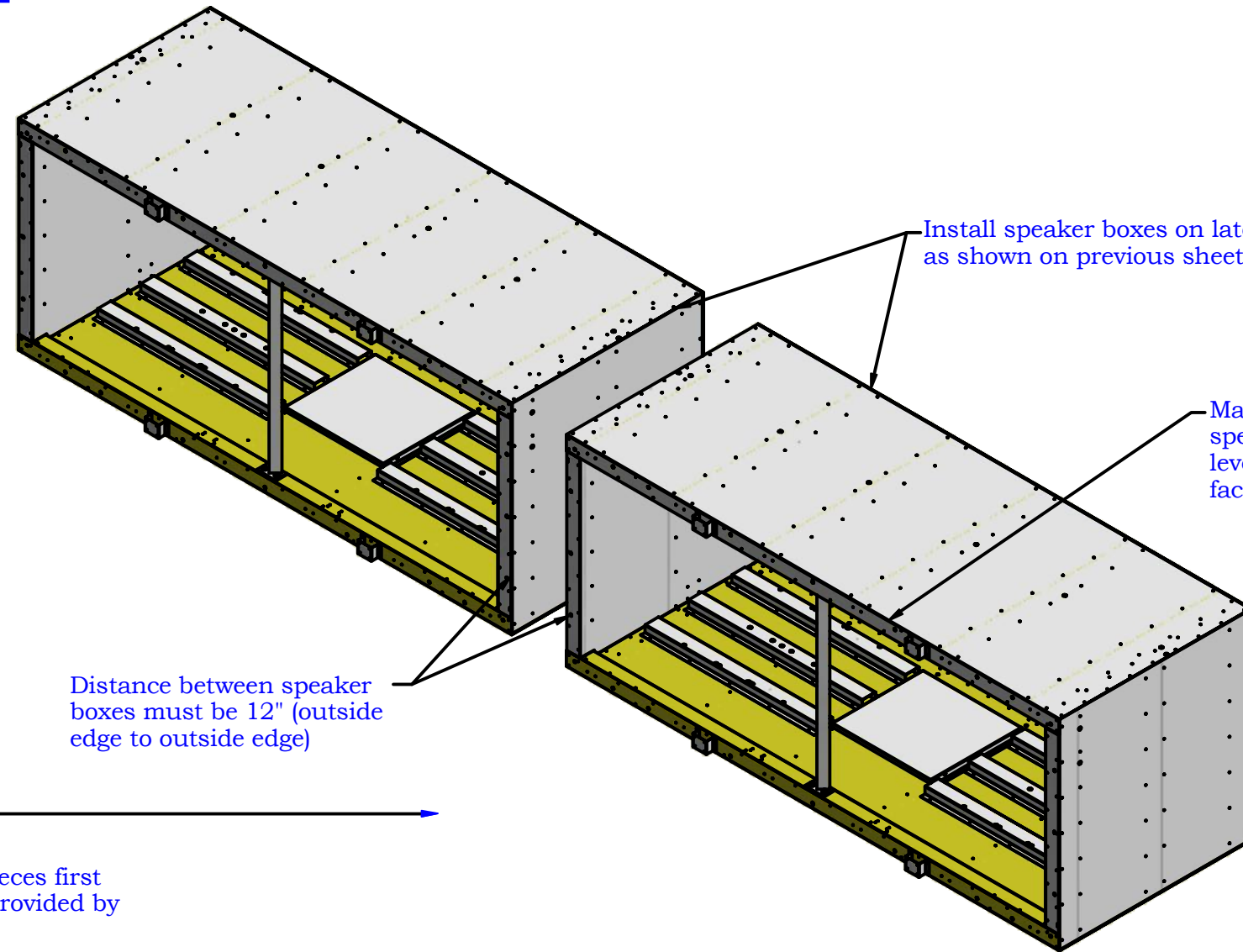
Next, attach vertical trim pieces to horizontal trim pieces here using hex head screws provided by Nevco

Use hex head drill screws provided by Nevco to attach trim approximately every ten inches on horizontal and vertical pieces (Cabinet underneath may not allow access)

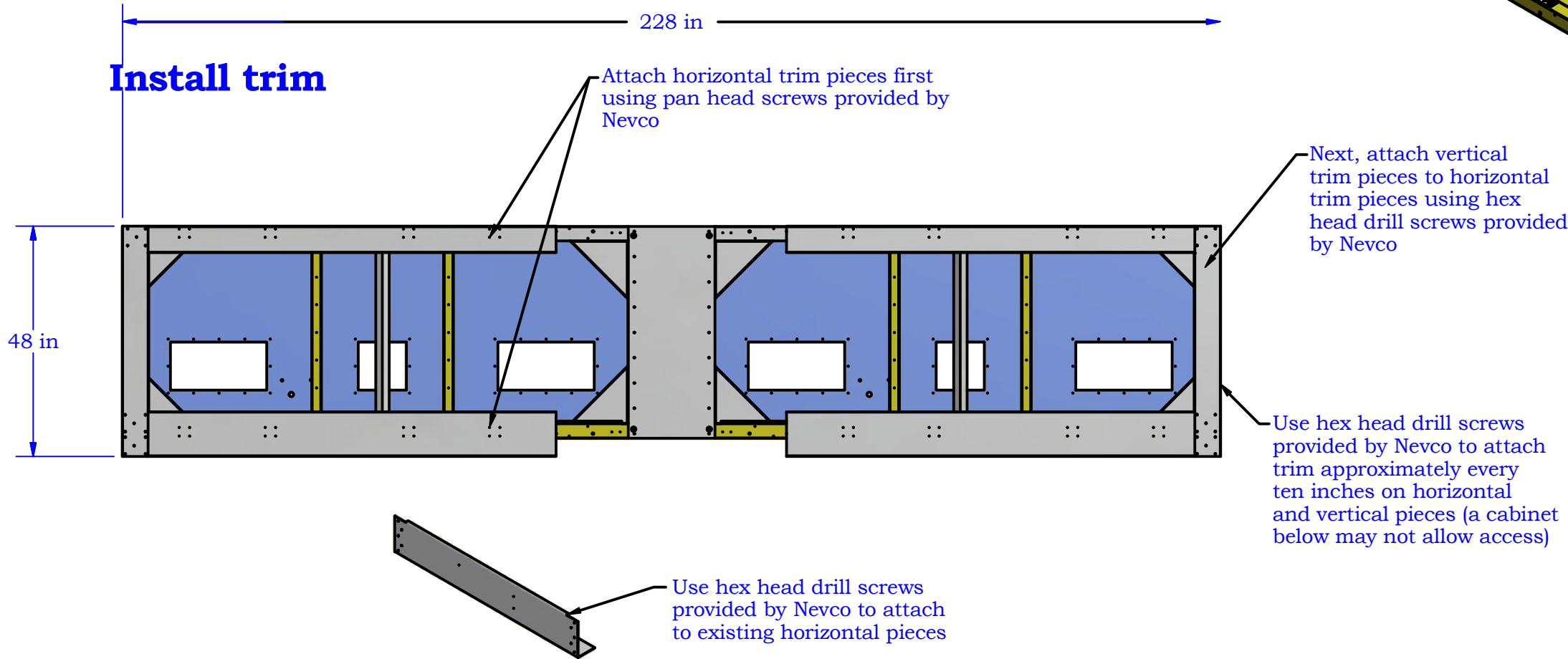



Installation SP-1000/2000 Speaker System		 Nevco, Inc. Greenville, Illinois 62246	
Last ECO		Drawing No. 241-0442	
Drawn BRS	Date 5/21/2015	Sheet 4 of 5	

Installing the SP-2000 system



Install trim



Installation SP1000/2000 Speaker system		 Nevco, Inc. Greenville, Illinois 62246	
Last ECO		Drawing No. 241-0442	
Drawn BRS	Date 5/21/2015	Sheet 5 of 5	