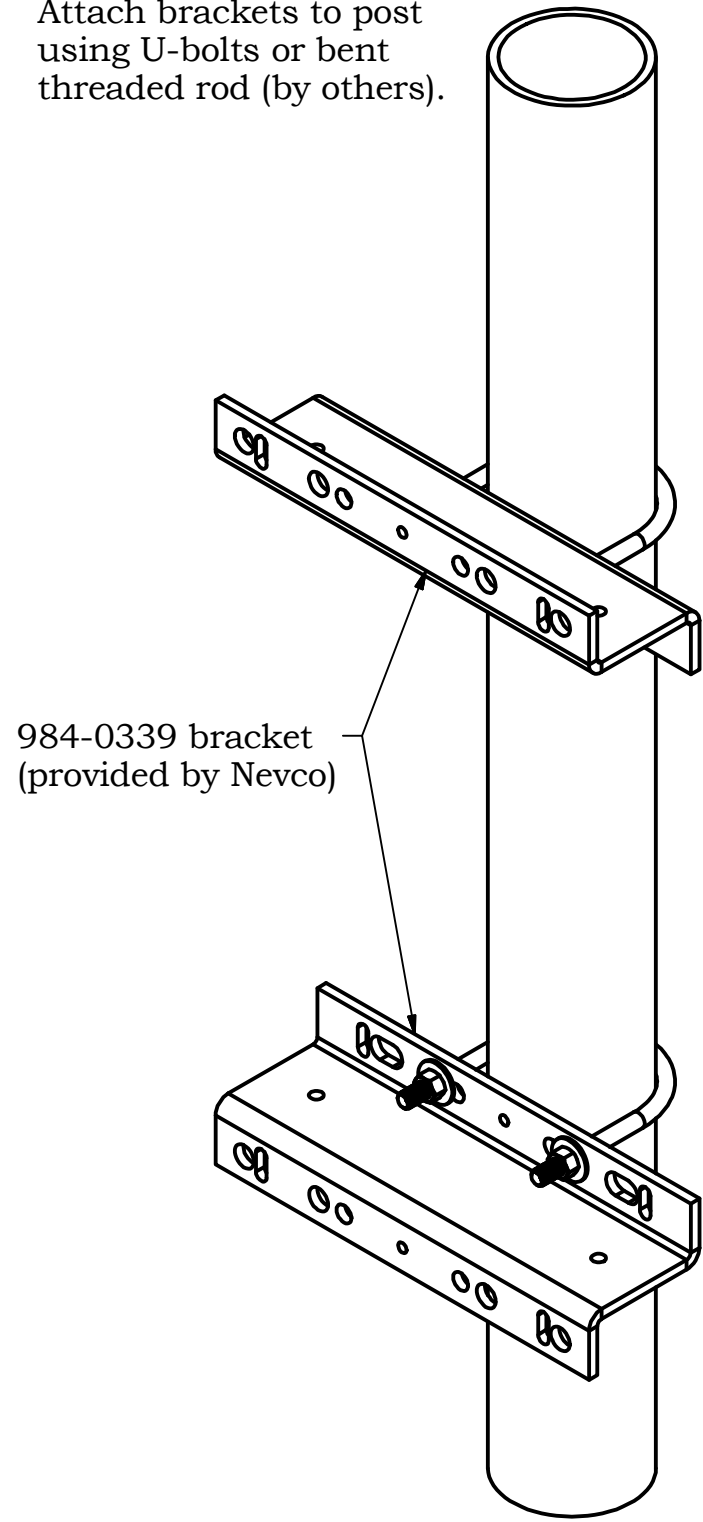


SINGLE SIDED SHOT CLOCK INSTALLATION

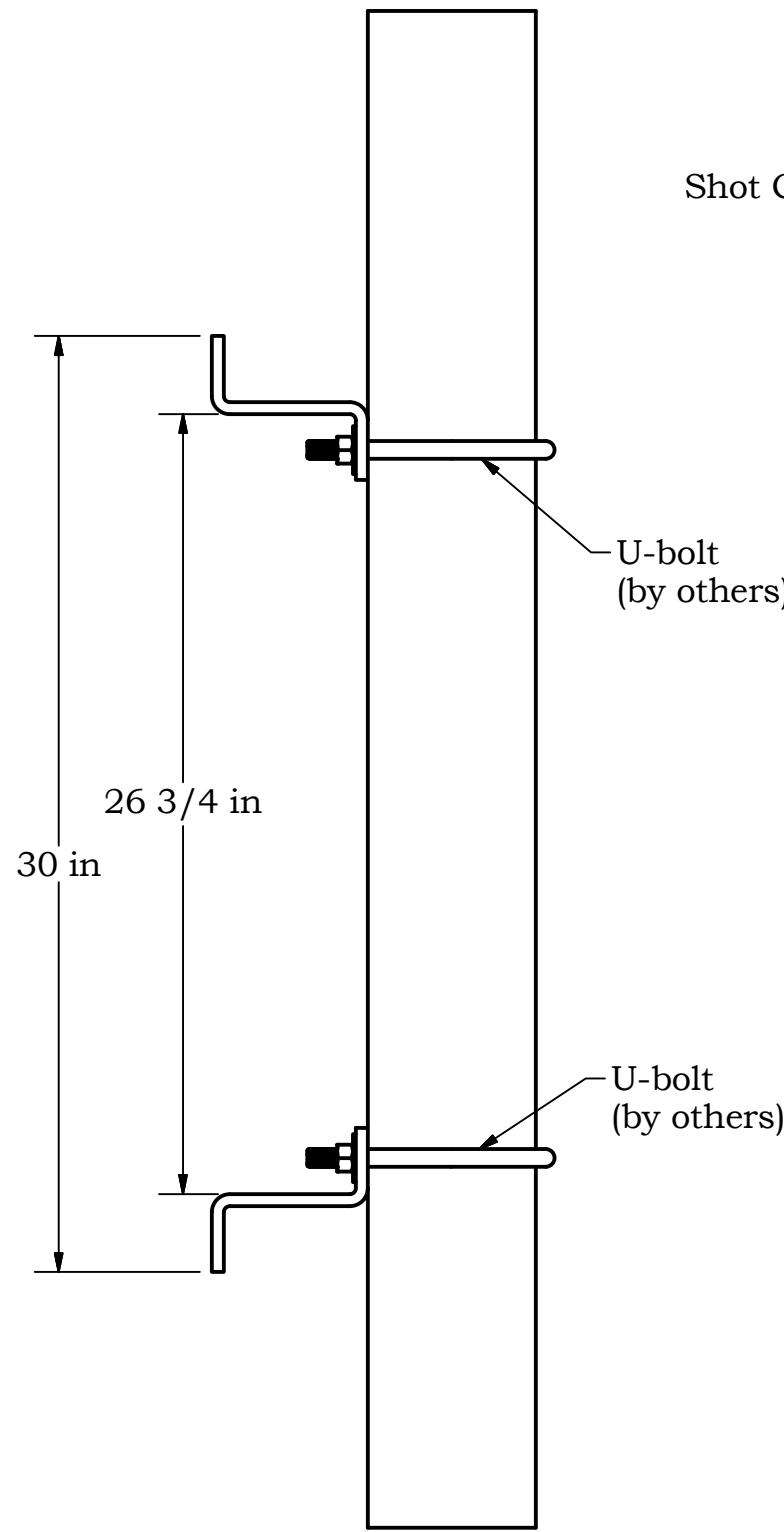
Rev A

STEP 1

Attach brackets to post using U-bolts or bent threaded rod (by others).



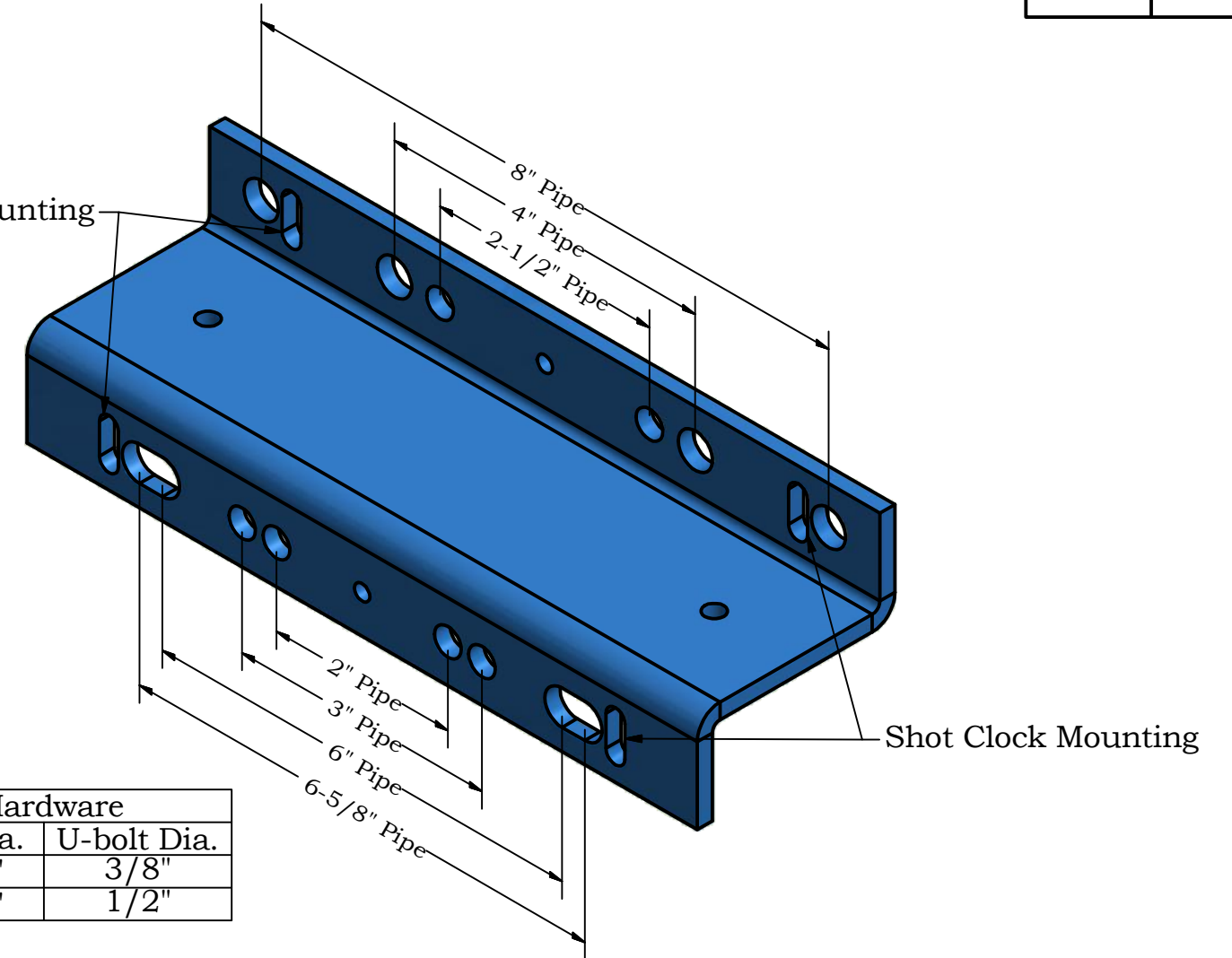
984-0339 bracket (provided by Nevco)



Shot Clock Mounting

U-bolt (by others)

U-bolt (by others)



Hardware	
Post Dia.	U-bolt Dia.
2" - 3"	3/8"
4" - 8"	1/2"

Hole locations in bracket match standard U-bolt dimensions. Determine post size and attach corresponding side of bracket to the post as shown on this sheet.

SSC-T9 Indoor LED Shot Clock Installation



Nevco, Inc.
Greenville, Illinois 62246

Last ECO

Drawing No. 241-0443

Drawn BDS Date 4/1/2016

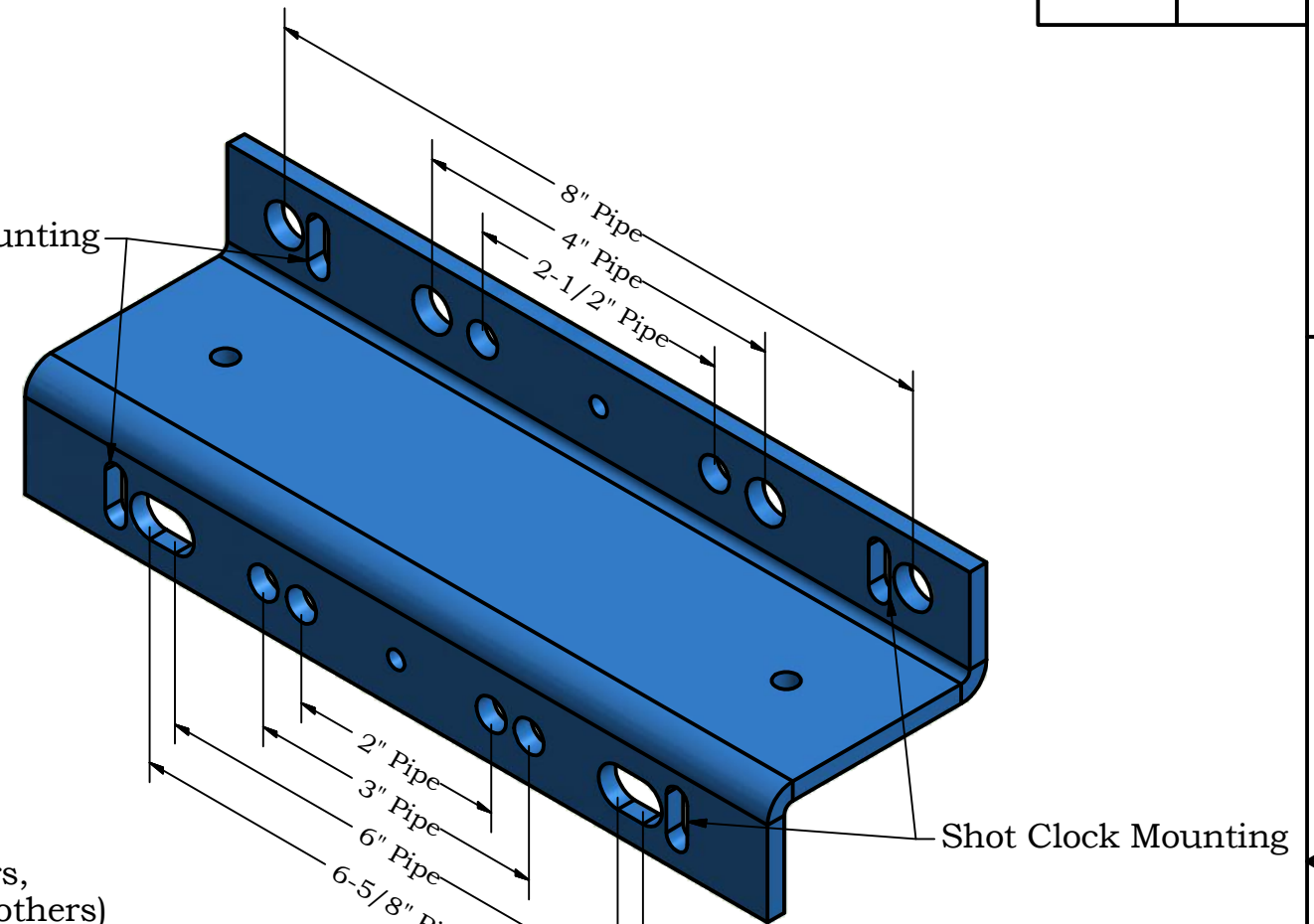
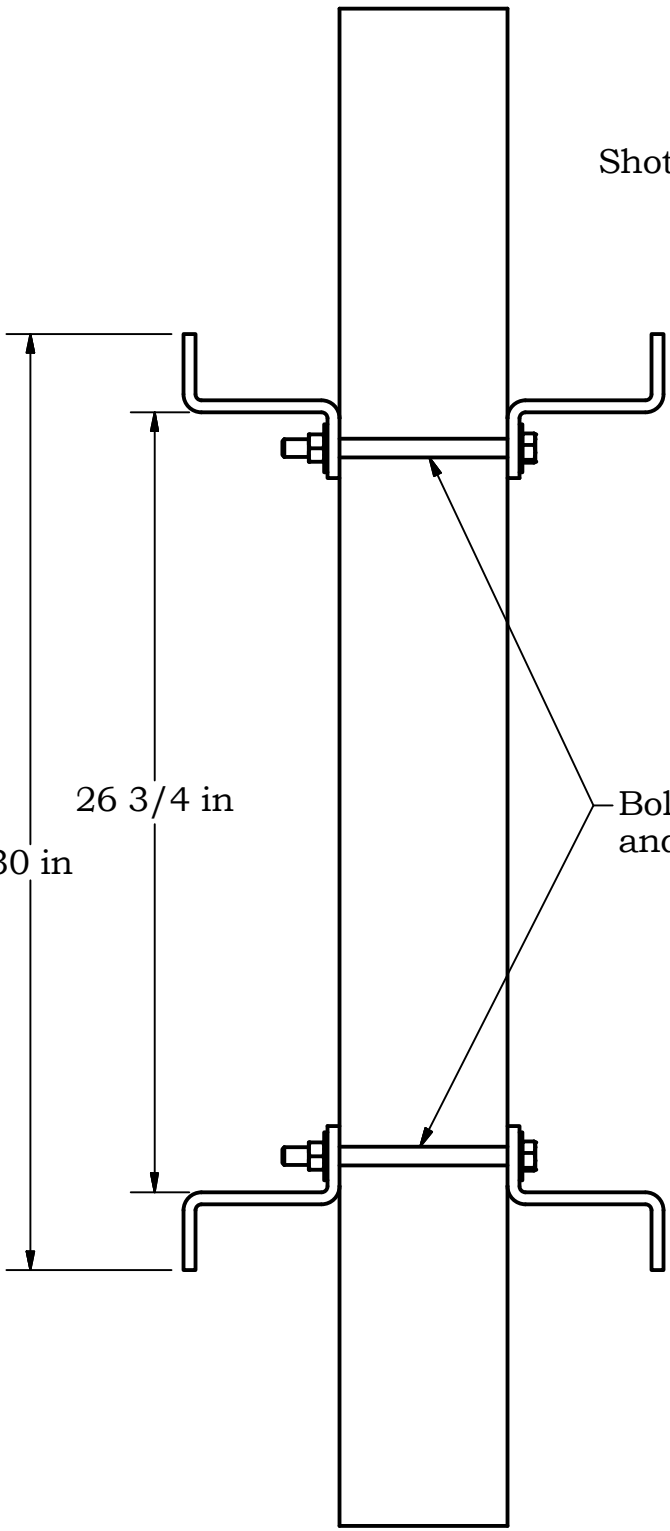
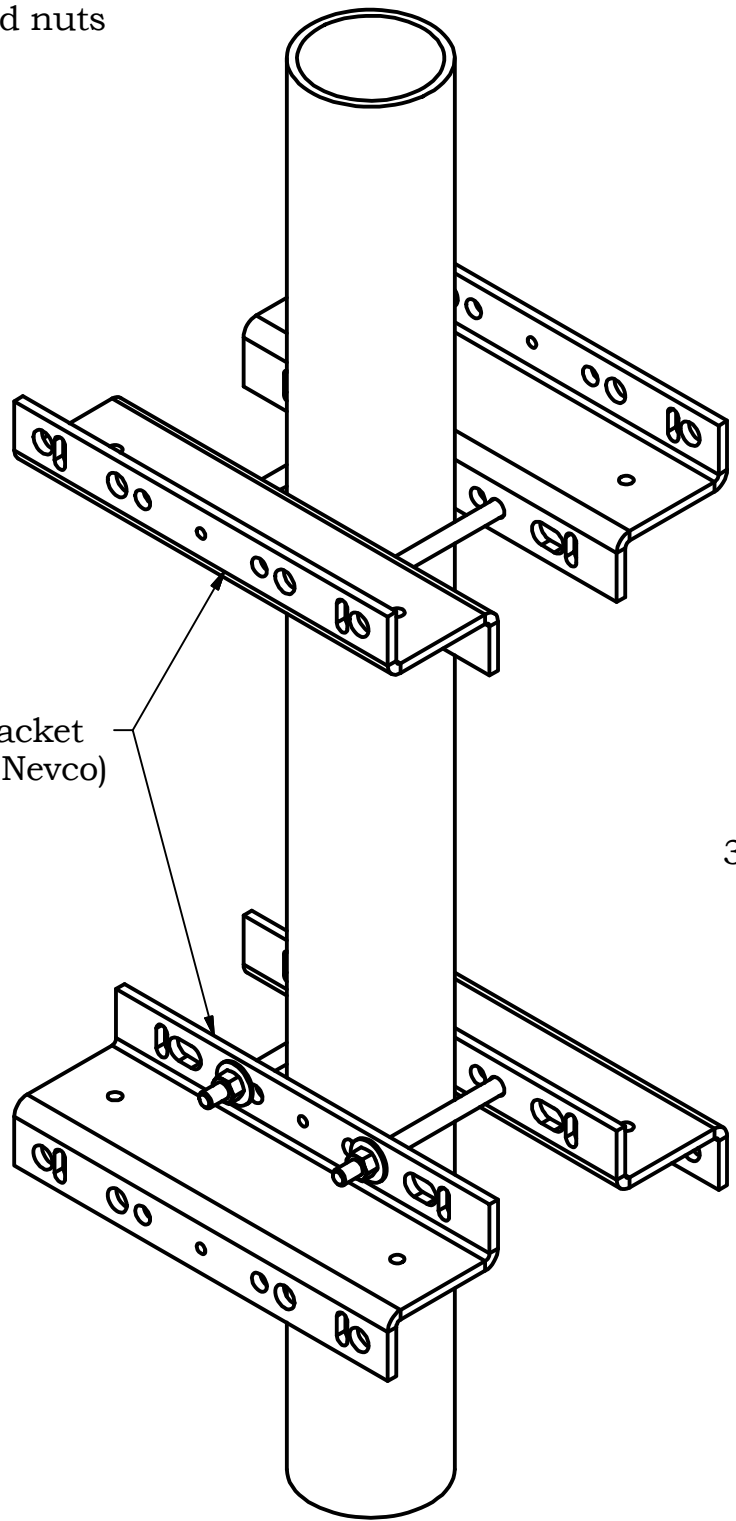
Sheet 1 of 6

STEP 1

Attach brackets to post using straight bolts, washers, and nuts (by others).


DOUBLE SIDED SHOT CLOCK INSTALLATION

Rev A



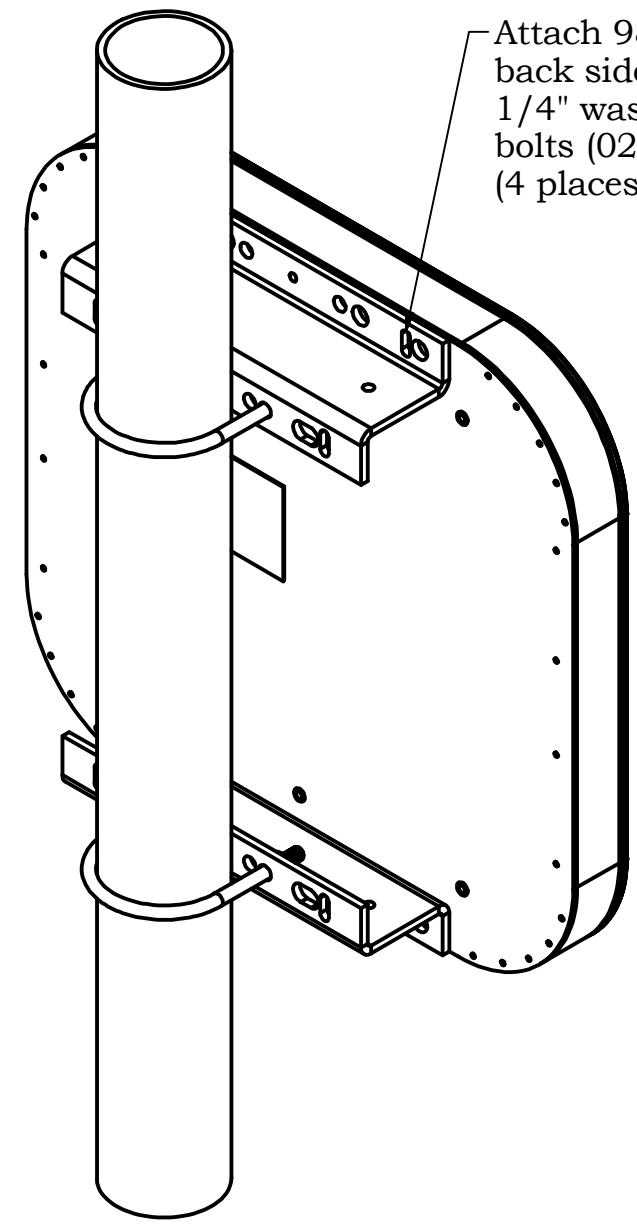
Hardware	
Post Dia.	Bolt Dia.
2" - 3"	3/8"
4" - 8"	1/2"

Hole locations in bracket match standard U-bolt dimensions. Determine post size and attach corresponding side of bracket to the post as shown on this sheet.

SSC-T9 Indoor LED Shot Clock Installation		 Nevco, Inc. Greenville, Illinois 62246
Last ECO		
Drawn BDS	Date 4/1/2016	Sheet 2 of 6

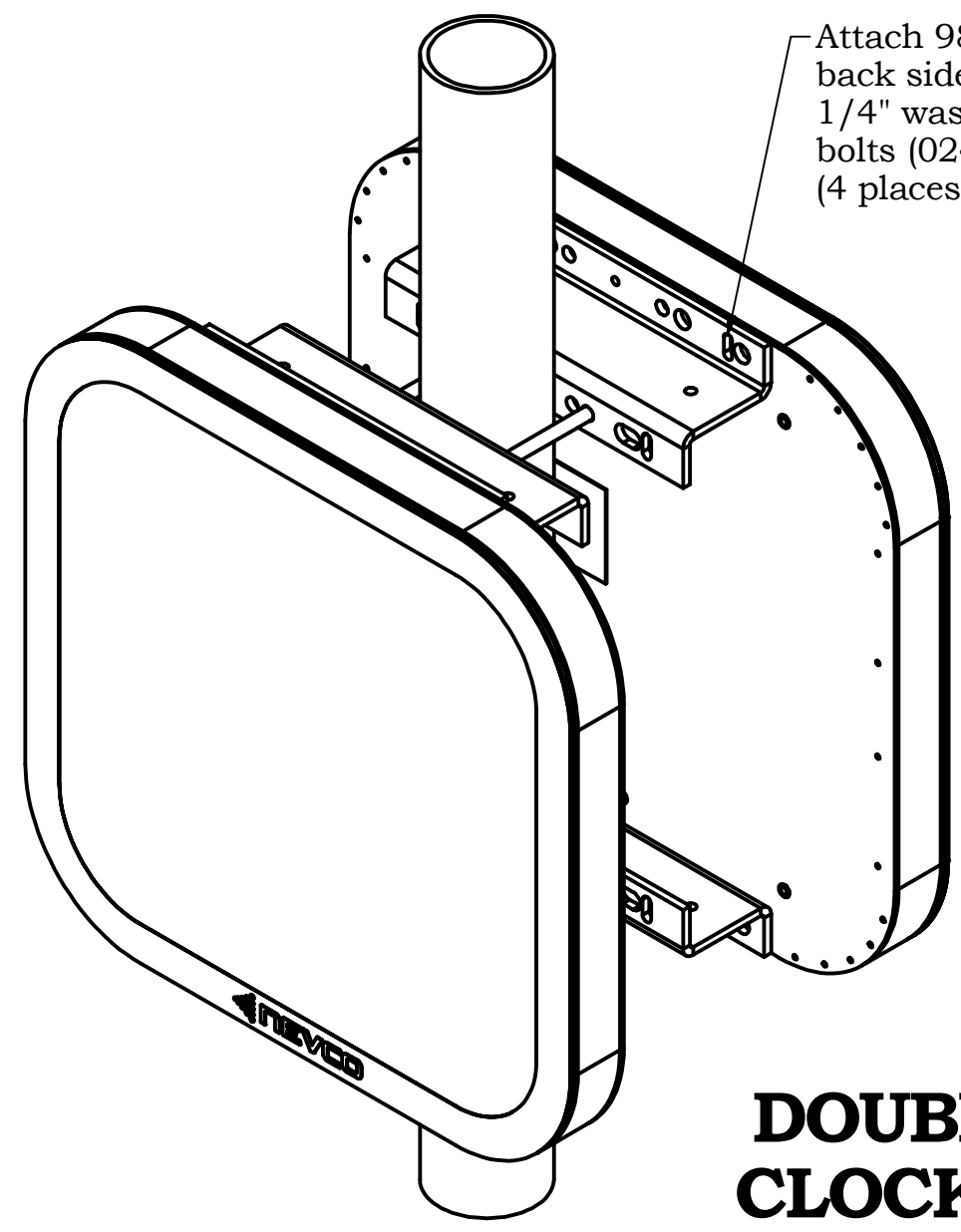
STEP 2

Rev	A
-----	---




Attach 984-0339 brackets on the back side of the shot clock using 1/4" washers (024-0579) and 1/4" bolts (024-0909) provided by Nevco. (4 places)

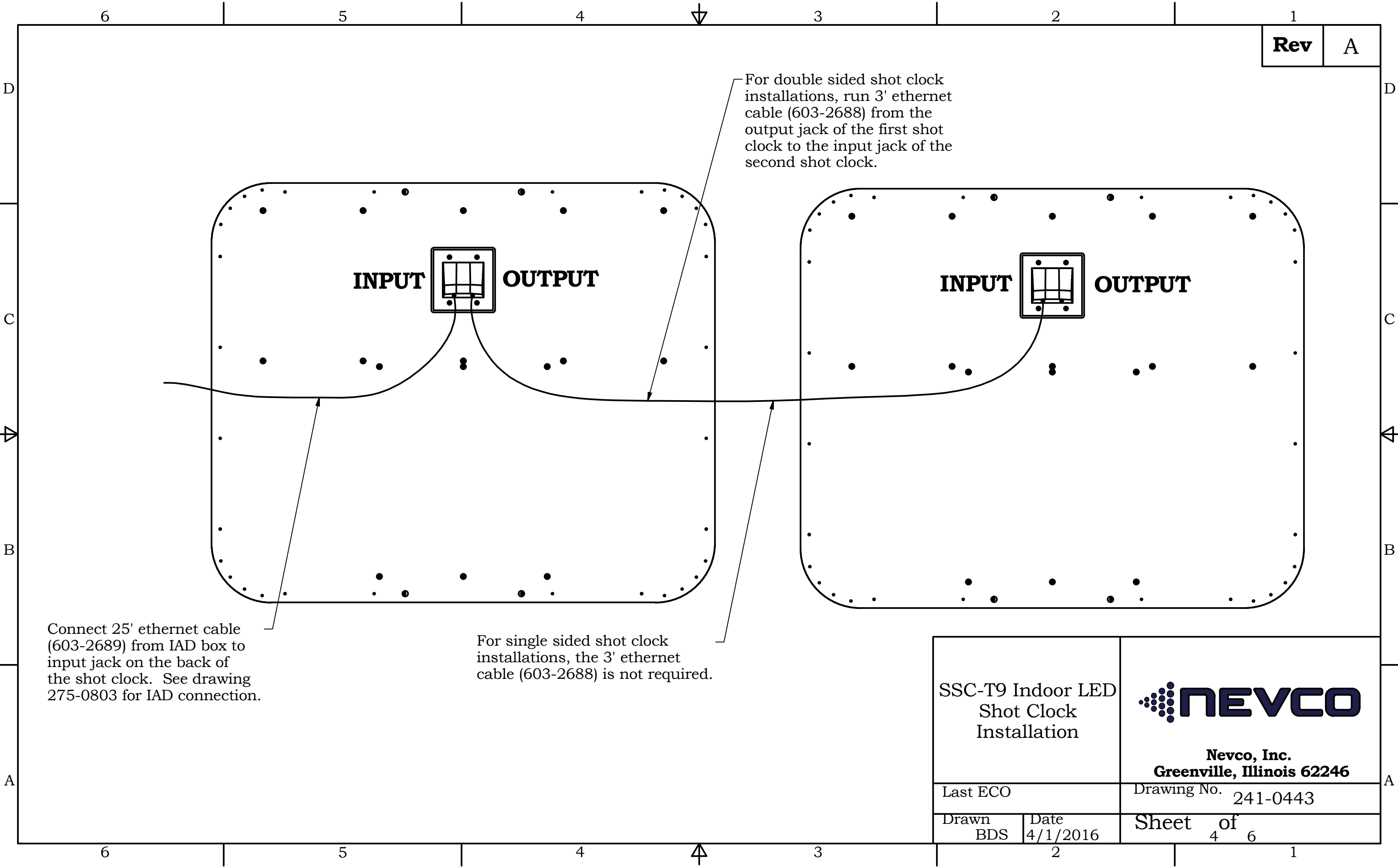
SINGLE SIDED SHOT CLOCK INSTALLATION



Attach 984-0339 brackets on the back side of the shot clocks using 1/4" washers (024-0579) and 1/4" bolts (024-0909) provided by Nevco. (4 places)

DOUBLE SIDED SHOT CLOCK INSTALLATION


SSC-T9 Indoor LED Shot Clock Installation		 Nevco, Inc. Greenville, Illinois 62246
Last ECO		
Drawn BDS	Date 4/1/2016	Sheet 3 of 6



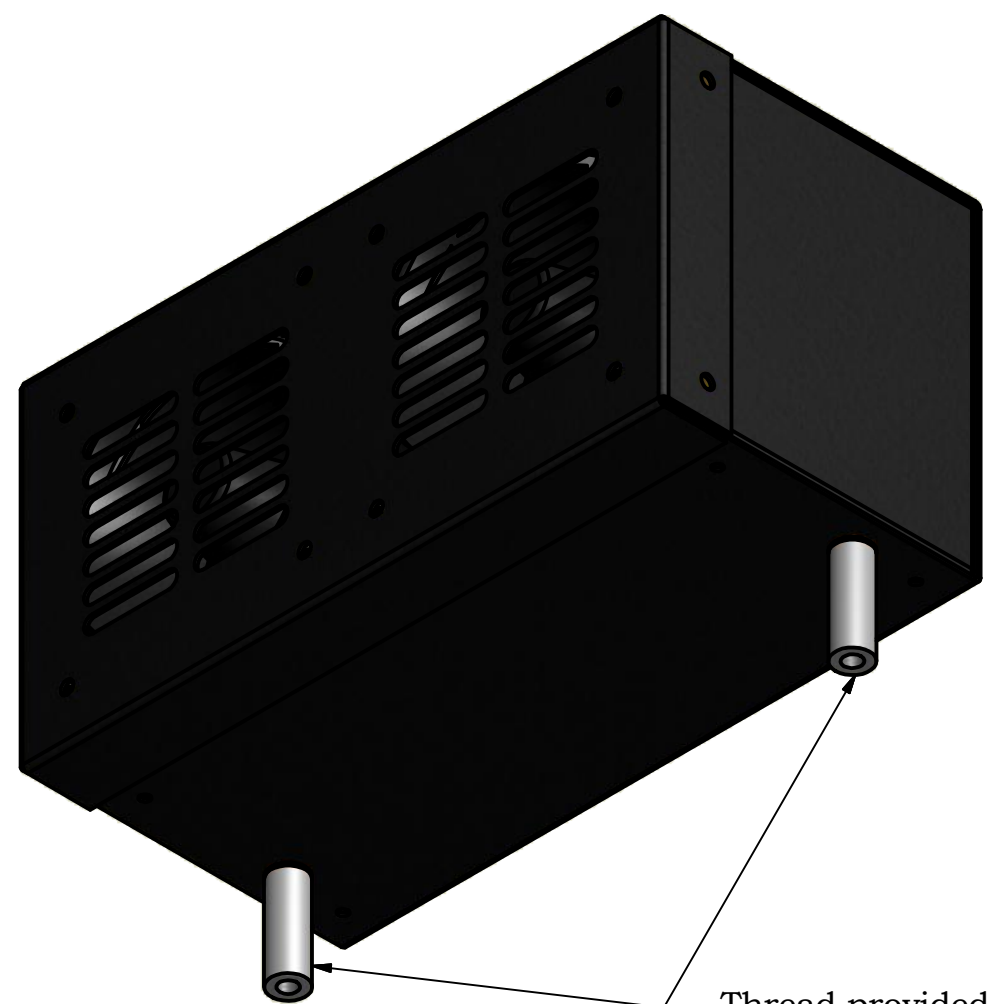
For double sided shot clock installations, run 3' ethernet cable (603-2688) from the output jack of the first shot clock to the input jack of the second shot clock.

Connect 25' ethernet cable (603-2689) from IAD box to input jack on the back of the shot clock. See drawing 275-0803 for IAD connection.

For single sided shot clock installations, the 3' ethernet cable (603-2688) is not required.

SSC-T9 Indoor LED Shot Clock Installation		 Nevco, Inc. Greenville, Illinois 62246
Last ECO		
Drawn BDS	Date 4/1/2016	Sheet 4 of 6

Rev	A
-----	---

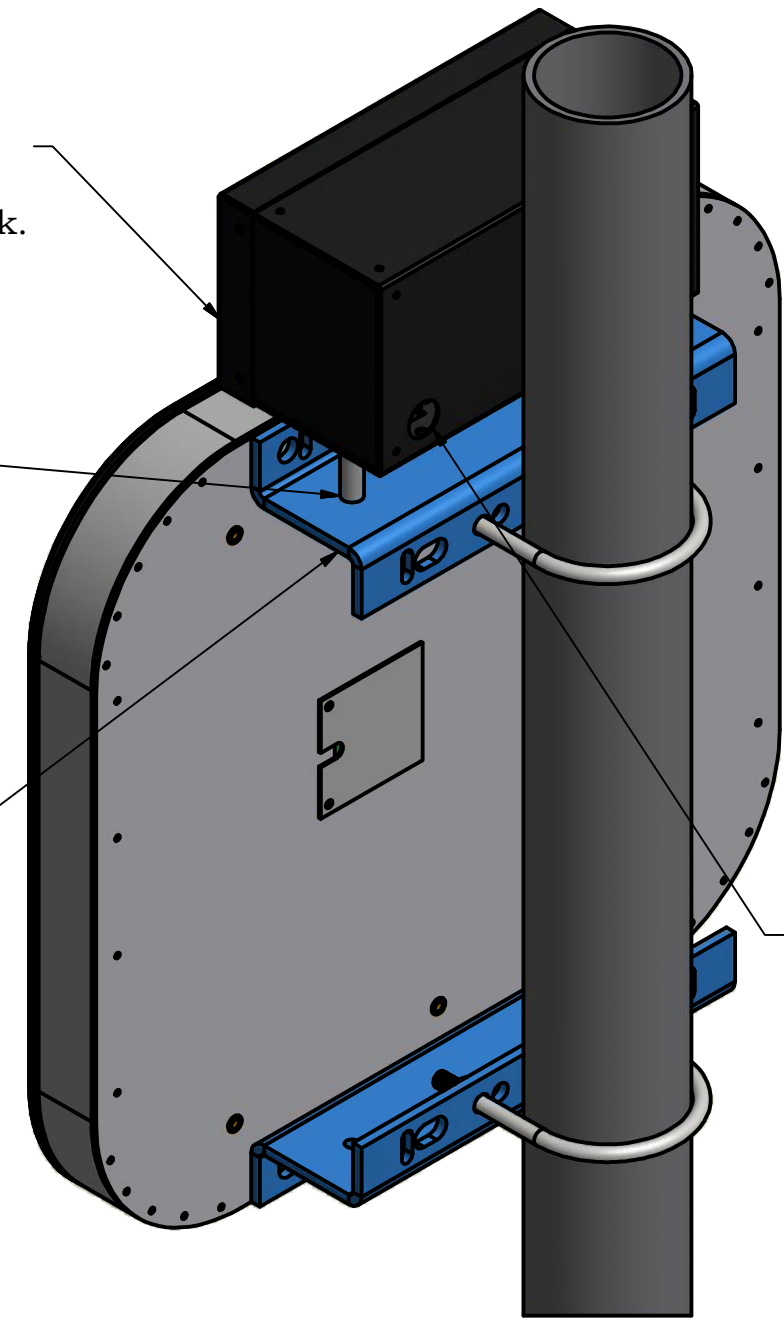


Thread provided standoffs (024-1048) into bottom of external horn box.

External horn box can mount to the top or bottom of the shot clock.


Align standoffs with holes in bracket.

Attach standoffs to the bracket using 1/4-20 x 3/4" bolts and washers provided by Nevco



Connect 2-pin accessory cable from IAD box to leads on the back of the horn box. See drawing 275-0803 for IAD connection.

EXTERNAL HORN INSTALLATION

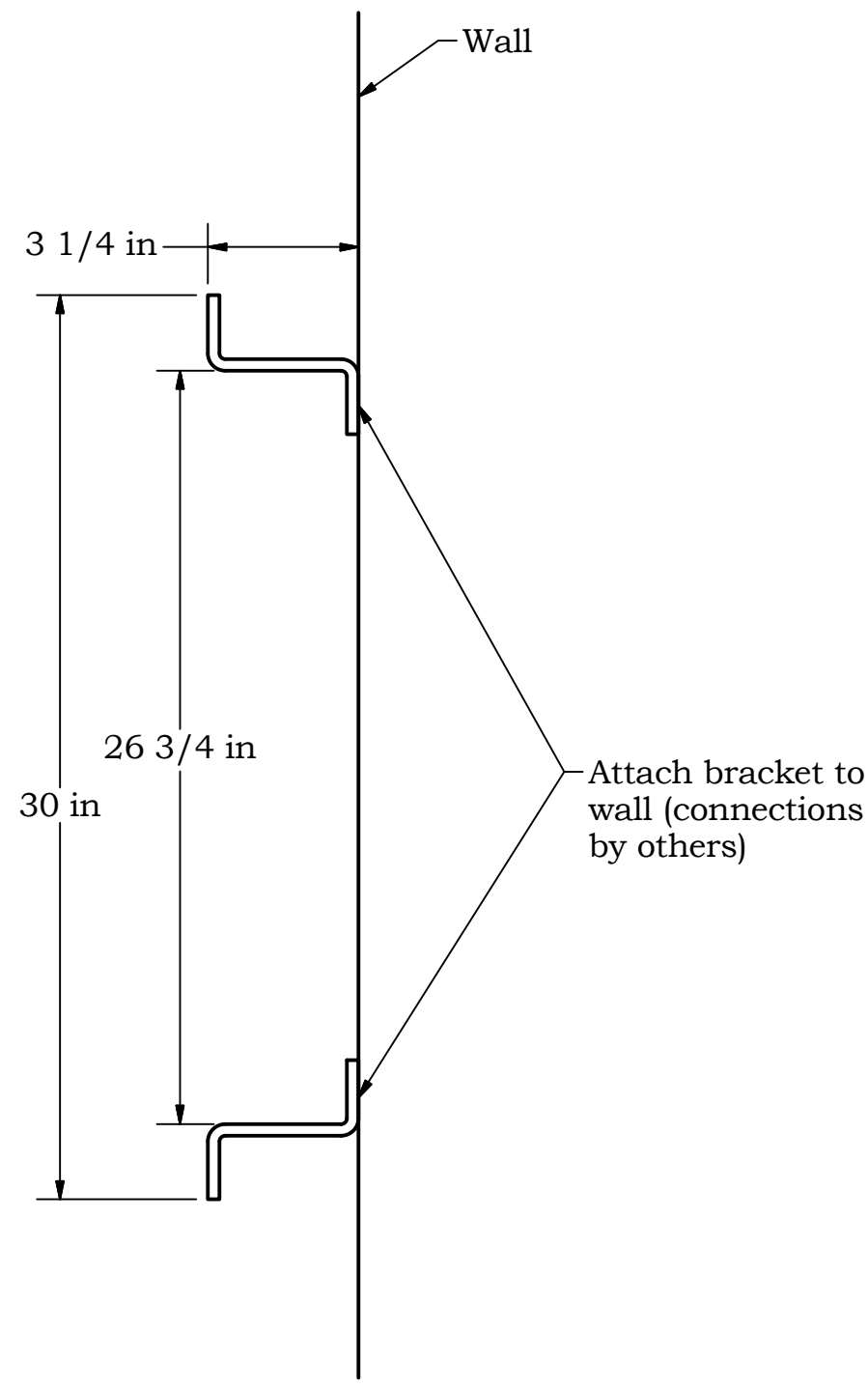
SSC-T9 Indoor LED Shot Clock Installation		 Nevco, Inc. Greenville, Illinois 62246
Last ECO		
Drawn BDS	Date 4/1/2016	Sheet 5 of 6

WALL MOUNTED SHOT CLOCK INSTALLATION

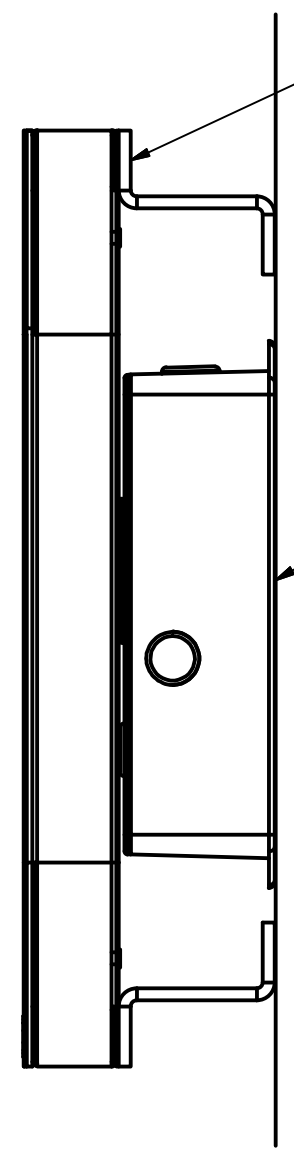
Rev	A
-----	---

D
C
B
A

D
C
B
A



SIDE VIEW



Attach Indoor Accessory Driver to wall between strut channel and make all wiring connections prior to installing shot clock on brackets. (attachments by others)

SIDE VIEW

SSC-T9 Indoor LED Shot Clock Installation			
Last ECO		Nevco, Inc. Greenville, Illinois 62246	
Drawn BDS	Date 4/1/2016	Drawing No. 241-0443	
		Sheet 6 of 6	

6

5

4

3

2

1

6

5

4

3

2

1