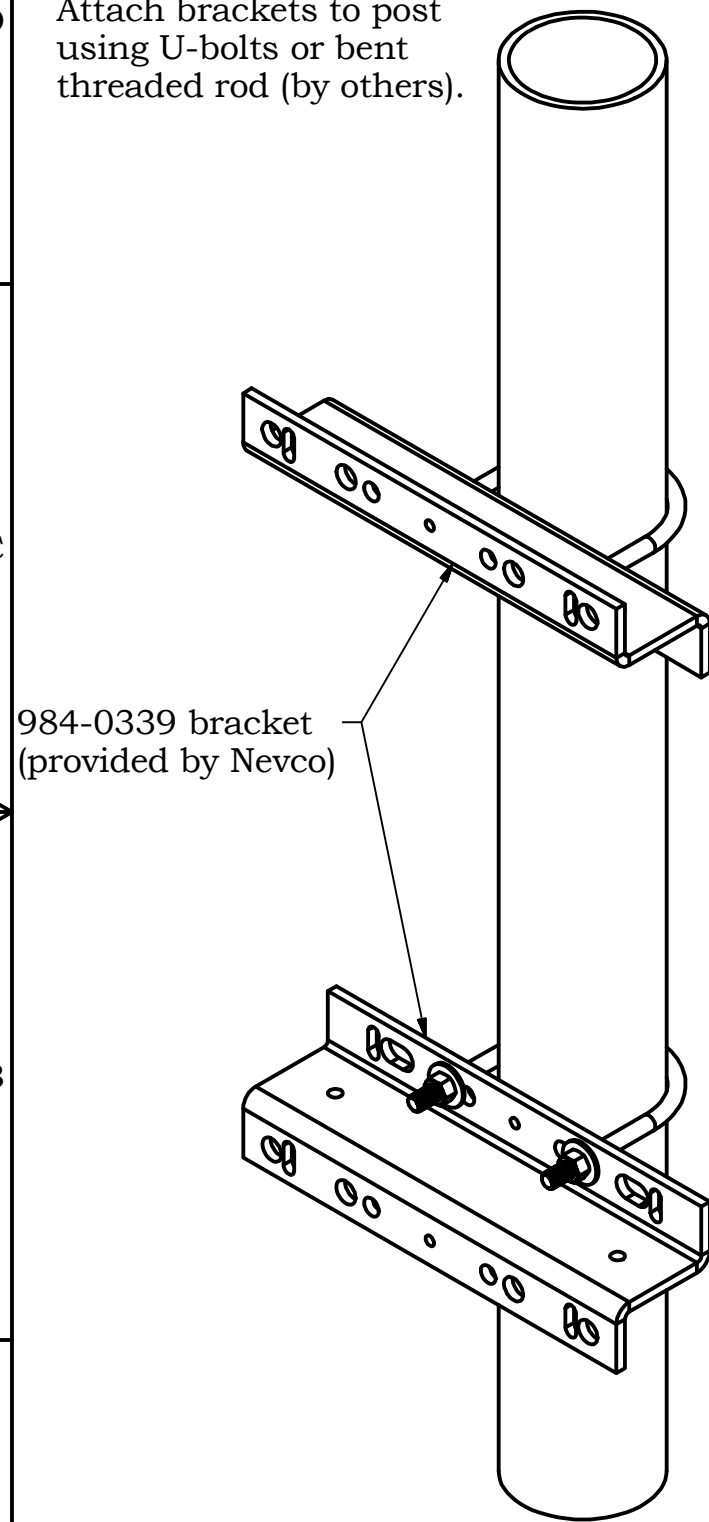


# SINGLE SIDED SHOT CLOCK INSTALLATION

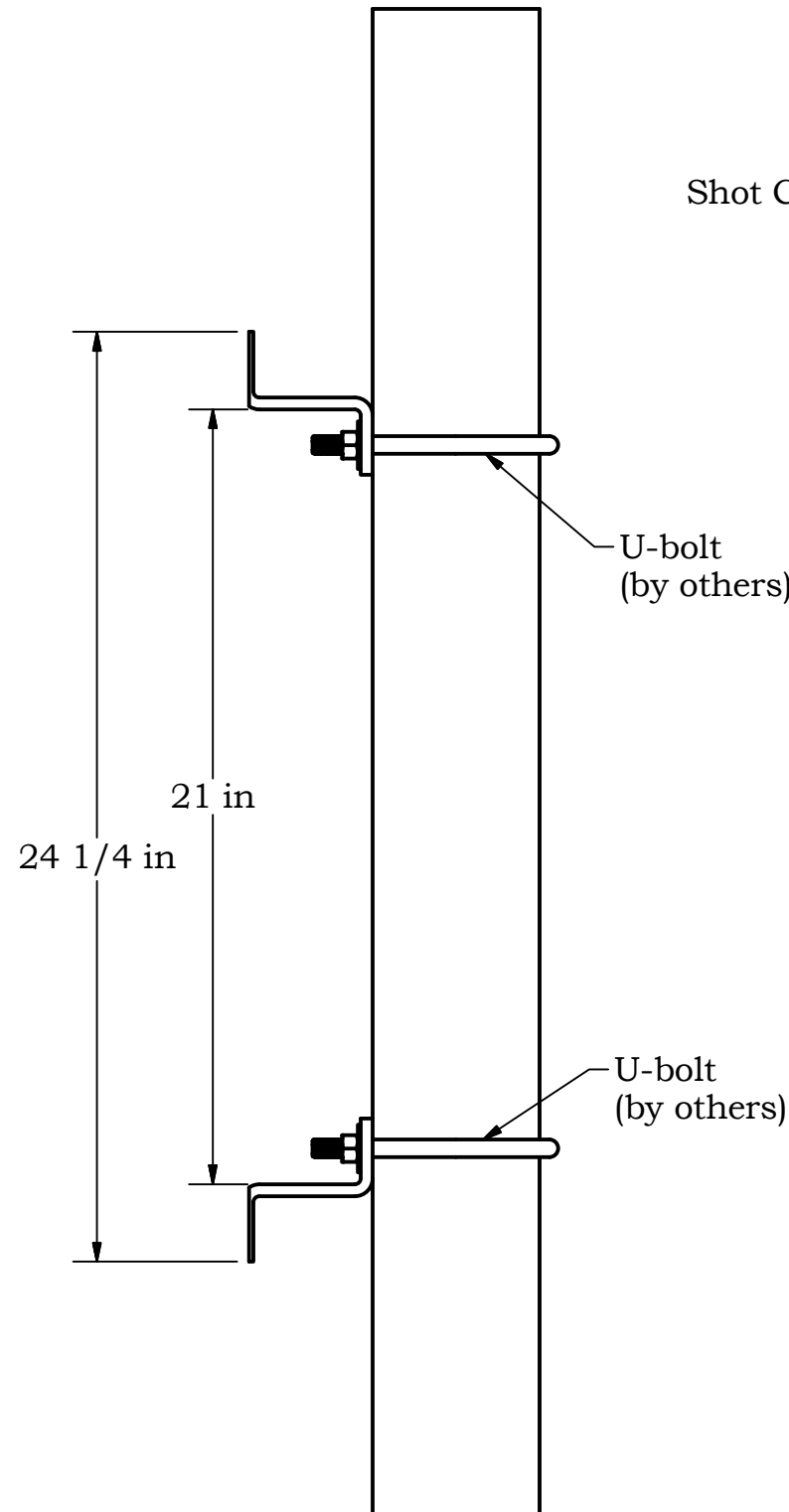
Rev -

## STEP 1

Attach brackets to post using U-bolts or bent threaded rod (by others).



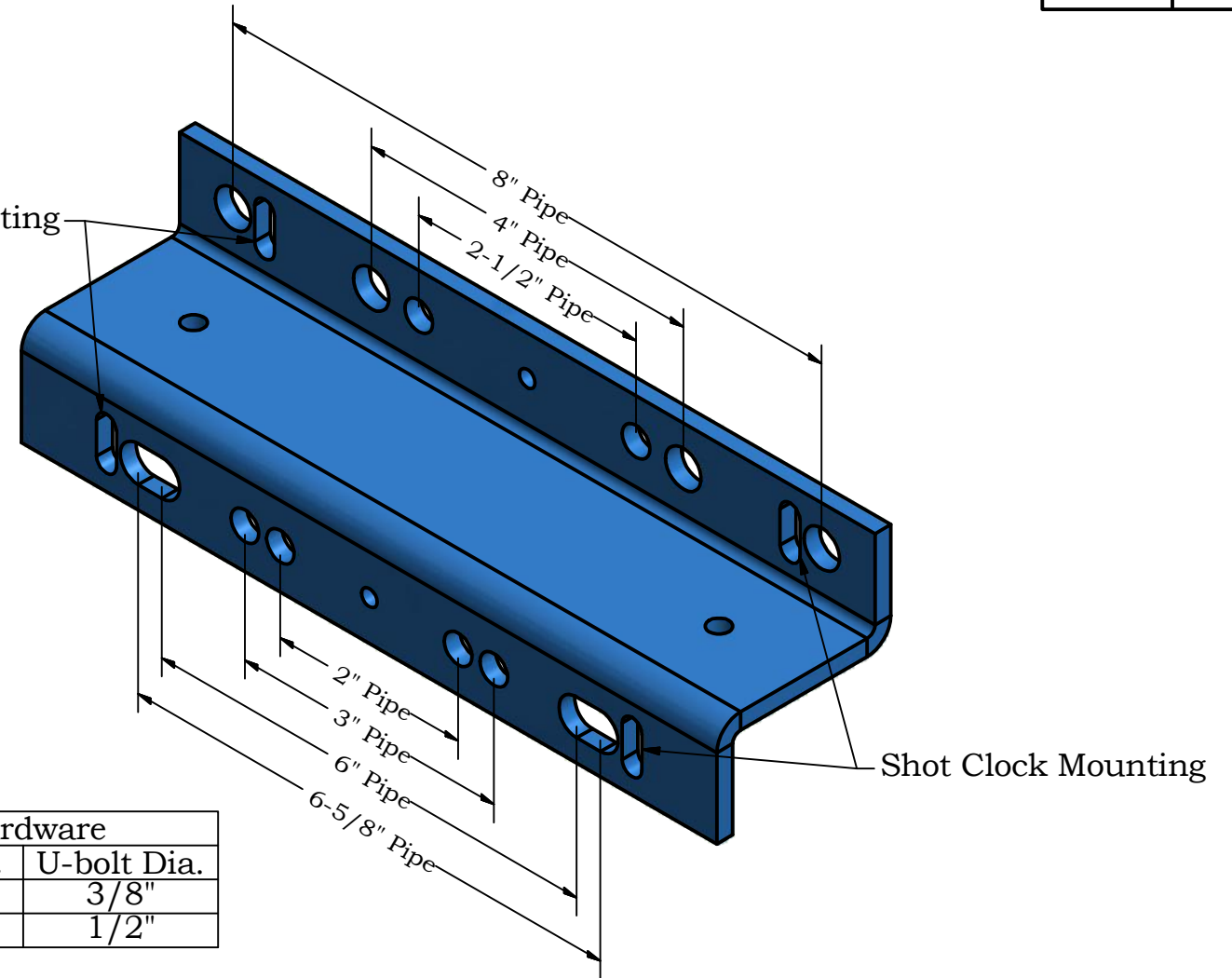
984-0339 bracket  
(provided by Nevco)



U-bolt  
(by others)

U-bolt  
(by others)

Shot Clock Mounting



Shot Clock Mounting

Hardware	
Post Dia.	U-bolt Dia.
2" - 3"	3/8"
4" - 8"	1/2"

Hole locations in bracket match standard U-bolt dimensions. Determine post size and attach corresponding side of bracket to the post as shown on this sheet.

SSC-T5 Indoor LED  
Shot Clock  
Installation



**Nevco, Inc.**  
**Greenville, Illinois 62246**

Last ECO

Drawing No. 241-0452

Drawn  
KAB

Date  
1/28/2016

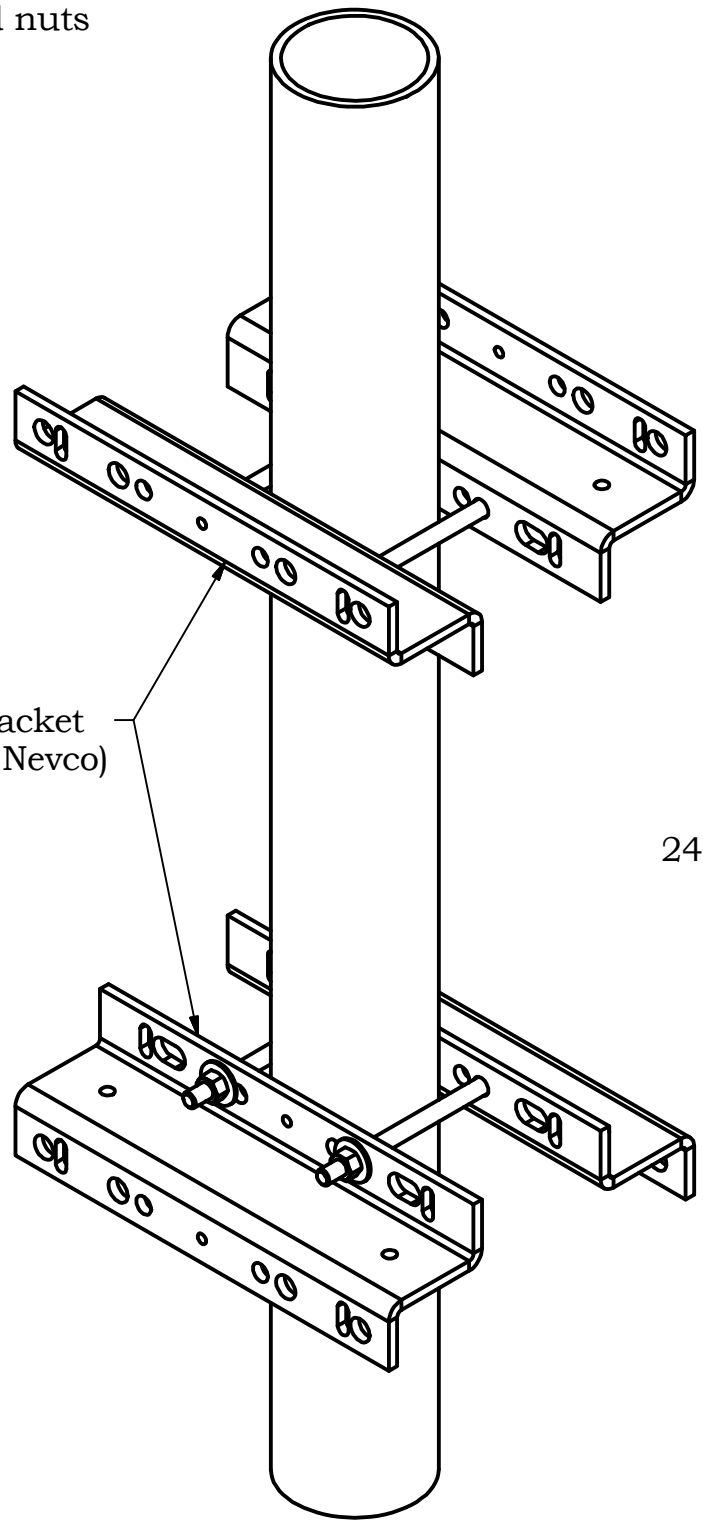
Sheet 1 of 6

# STEP 1

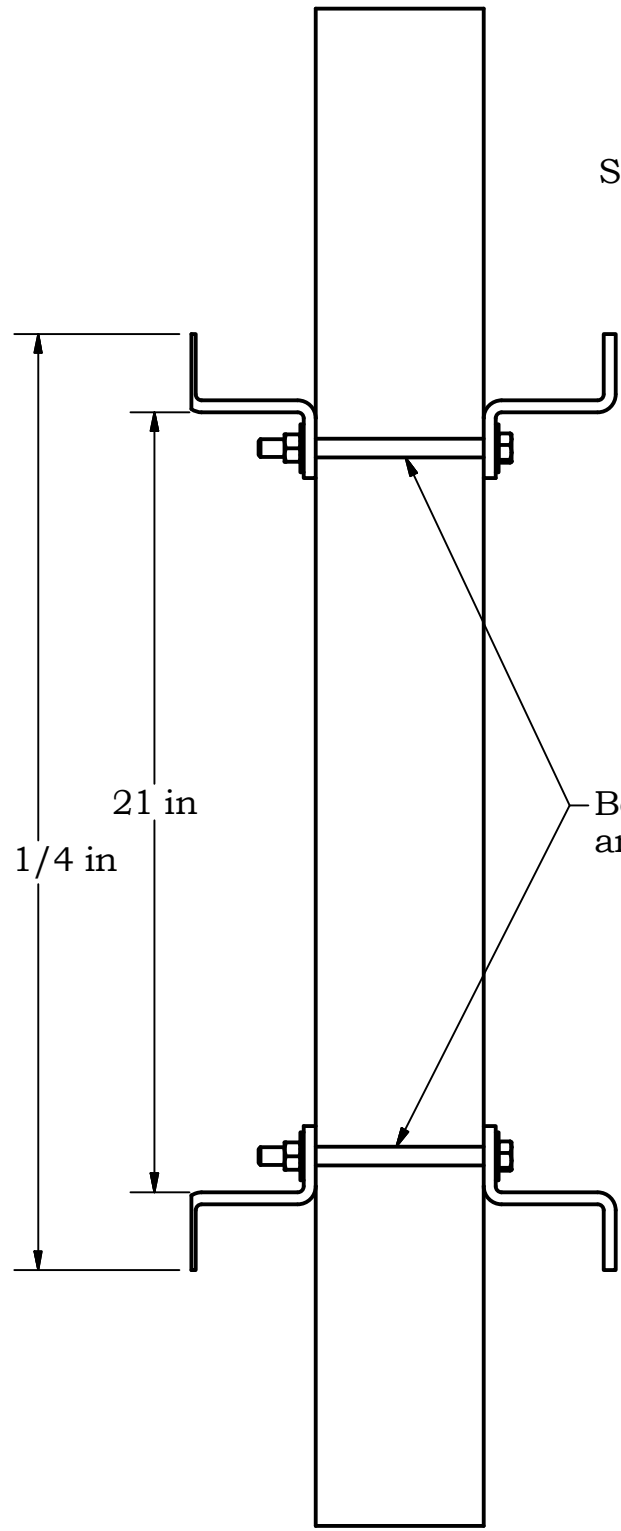
Attach brackets to post using straight bolts, washers, and nuts (by others).

# DOUBLE SIDED SHOT CLOCK INSTALLATION

Rev -

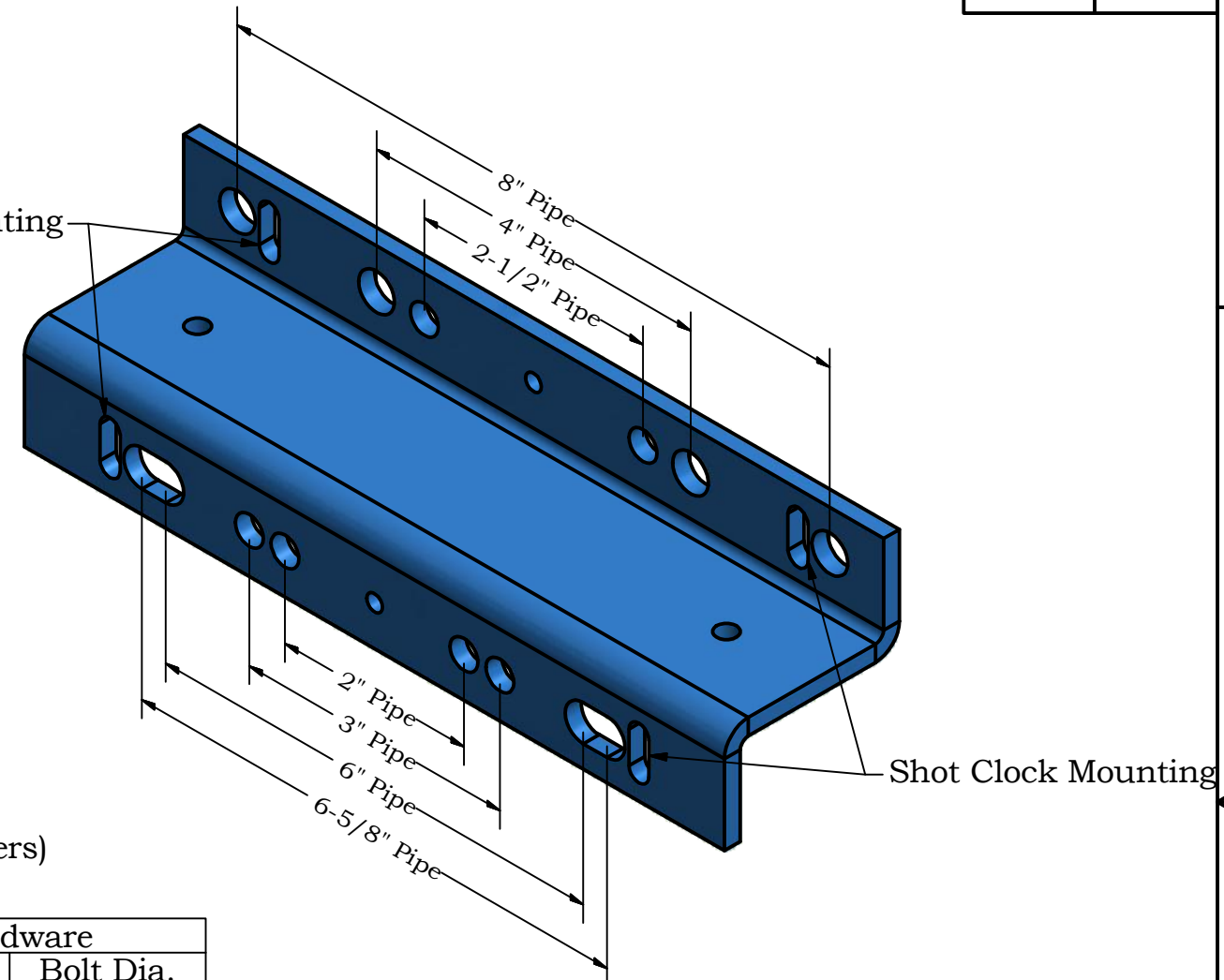


984-0339 bracket (provided by Nevco)



Shot Clock Mounting

Bolts, Washers, and Nuts (by others)



Hardware	
Post Dia.	Bolt Dia.
2" - 3"	3/8"
4" - 8"	1/2"

Hole locations in bracket match standard U-bolt dimensions. Determine post size and attach corresponding side of bracket to the post as shown on this sheet.

SSC-T5 Indoor LED  
Shot Clock  
Installation



**Nevco, Inc.**  
**Greenville, Illinois 62246**

Last ECO

Drawing No. 241-0452

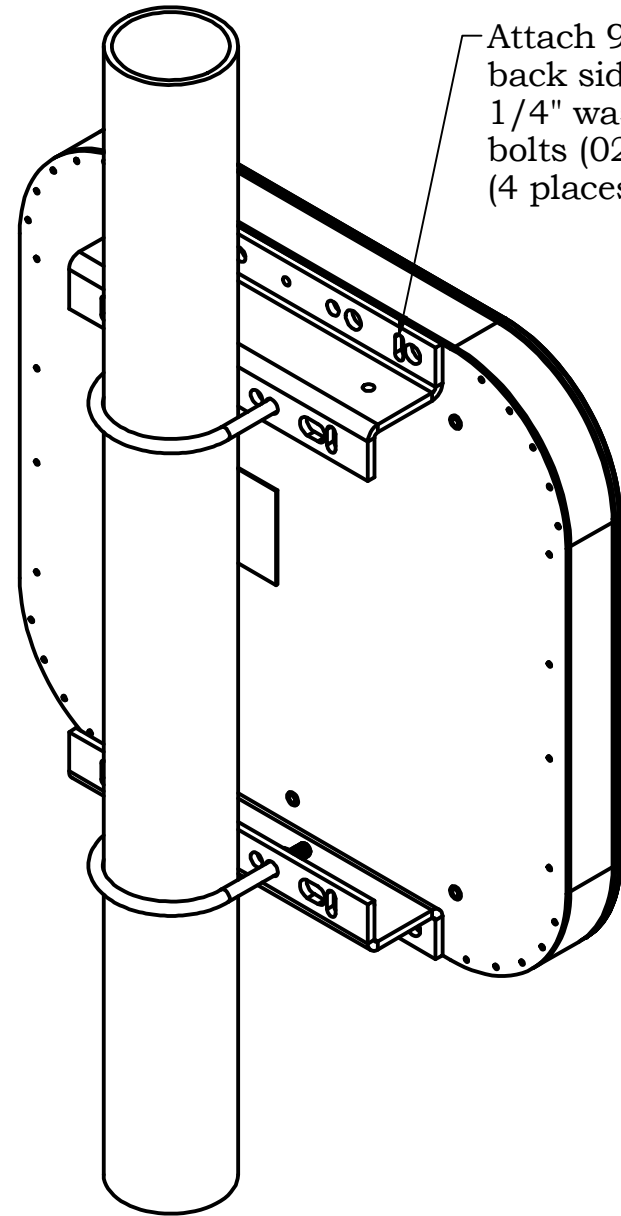
Drawn  
KAB

Date  
1/28/2016

Sheet 2 of 6

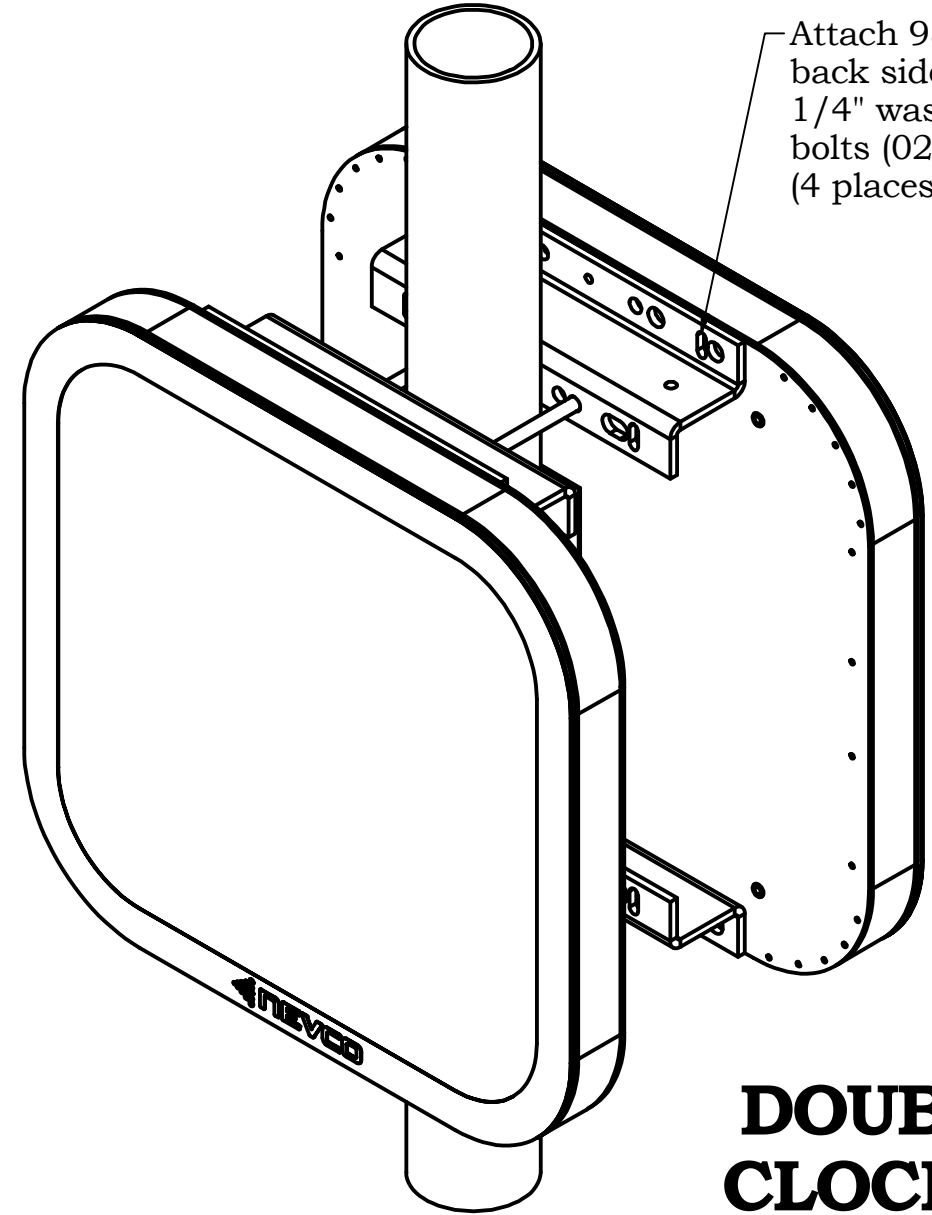
# STEP 2

Rev	
-----	--




Attach 984-0339 brackets on the back side of the shot clock using 1/4" washers (024-0579) and 1/4" bolts (024-0909) provided by Nevco. (4 places)

## SINGLE SIDED SHOT CLOCK INSTALLATION

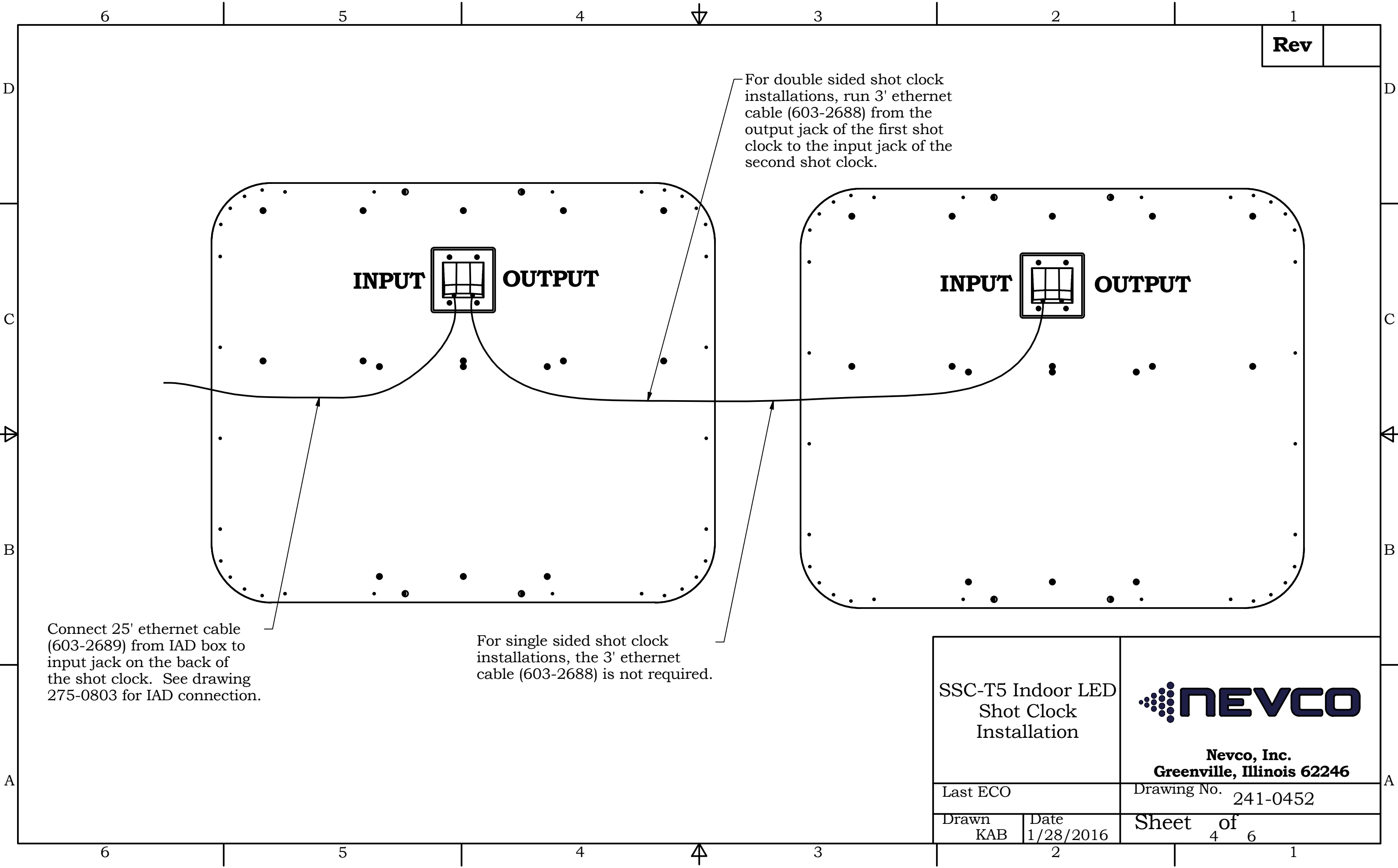



Attach 984-0339 brackets on the back side of the shot clocks using 1/4" washers (024-0579) and 1/4" bolts (024-0909) provided by Nevco. (4 places)

## DOUBLE SIDED SHOT CLOCK INSTALLATION

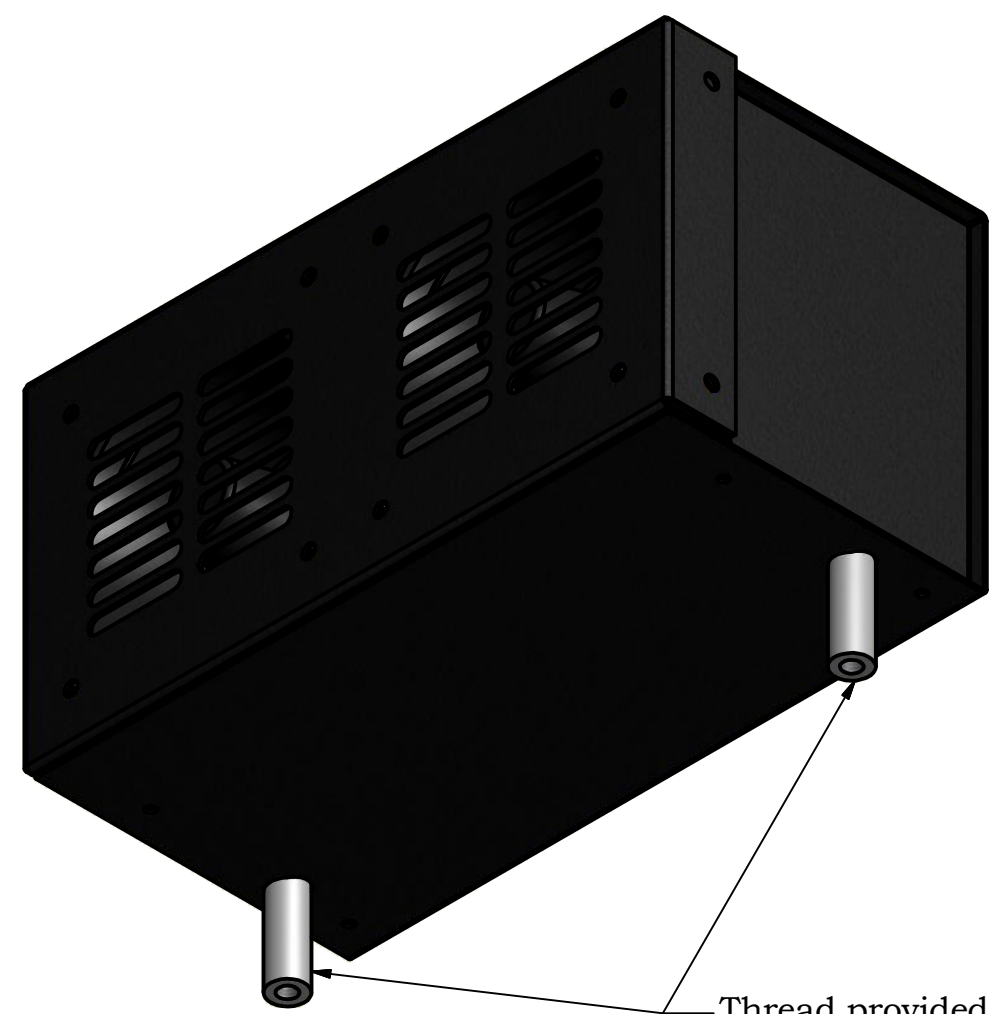
SSC-T5 Indoor LED Shot Clock Installation		 <b>Nevco, Inc.</b> <b>Greenville, Illinois 62246</b>
Last ECO		
Drawn KAB	Date 1/28/2016	Sheet 3 of 6

Rev



SSC-T5 Indoor LED Shot Clock Installation		 <b>Nevco, Inc.</b> Greenville, Illinois 62246
Last ECO		
Drawn KAB	Date 1/28/2016	Sheet 4 of 6

Rev

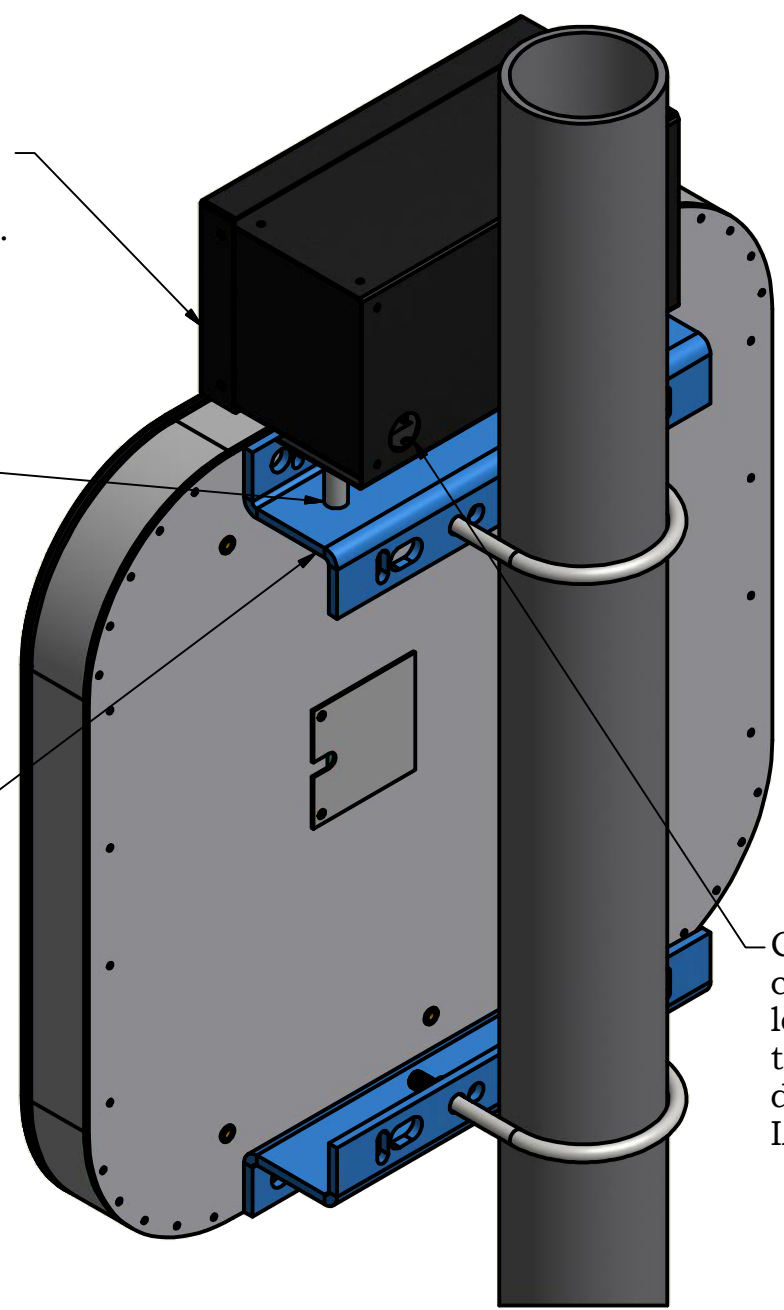


Thread provided standoffs (024-1048) into bottom of external horn box.

External horn box can mount to the top or bottom of the shot clock.


Align standoffs with holes in bracket.

Attach standoffs to the bracket using 1/4-20 x 3/4" bolts and washers provided by Nevco



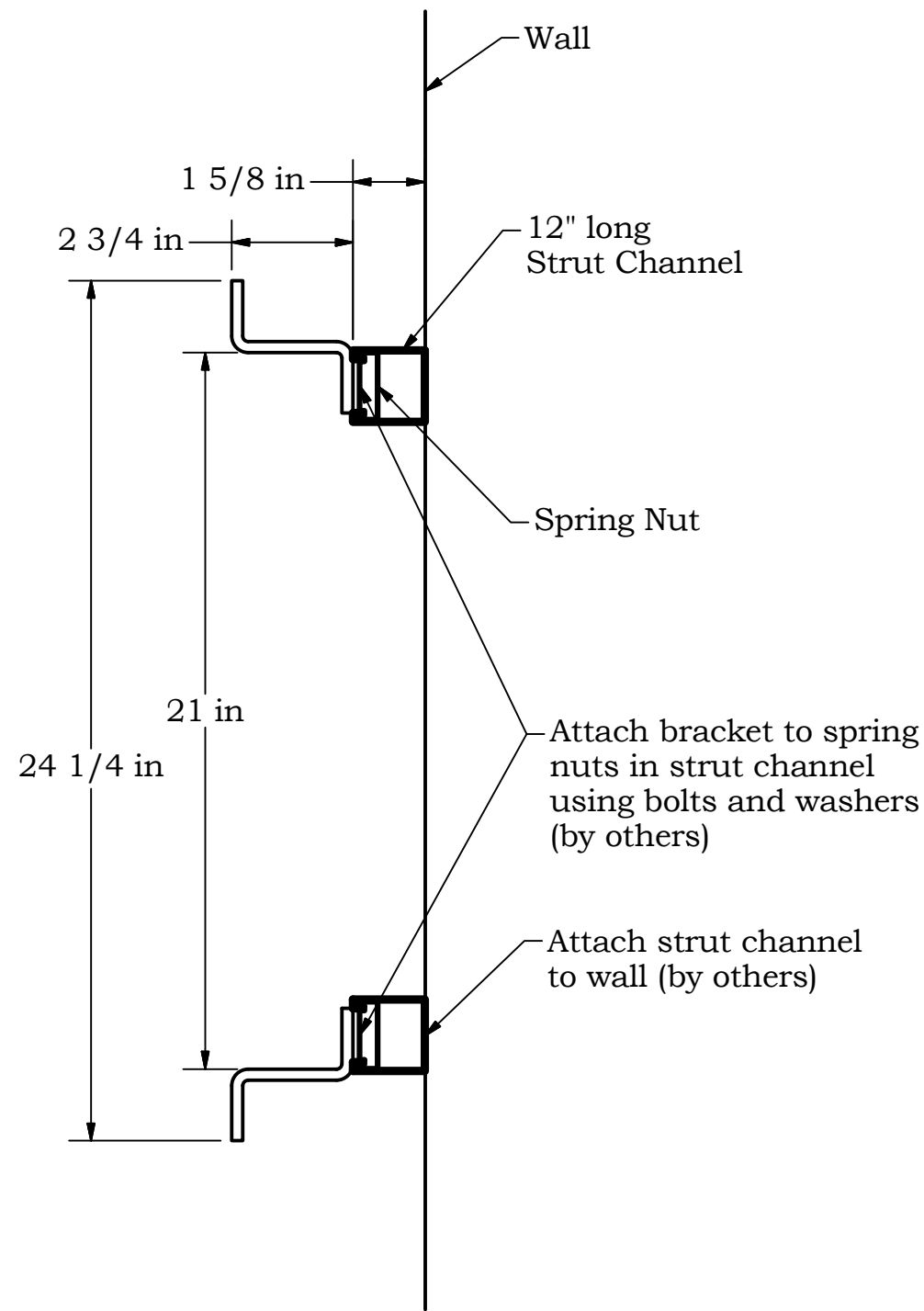
Connect 2-pin accessory cable from IAD box to leads on the back of the horn box. See drawing 275-0803 for IAD connection.

# EXTERNAL HORN INSTALLATION

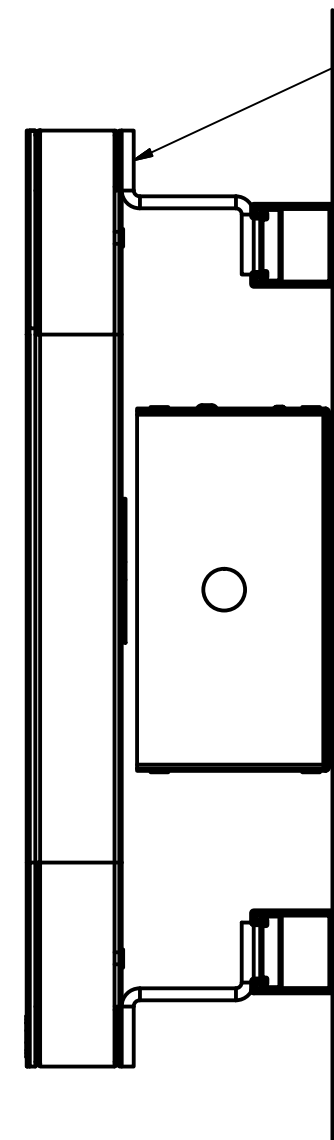
SSC-T5 Indoor LED Shot Clock Installation		 <b>Nevco, Inc.</b> Greenville, Illinois 62246
Last ECO		
Drawn KAB	Date 1/28/2016	Sheet 5 of 6

# WALL MOUNTED SHOT CLOCK INSTALLATION

Rev	
-----	--



**SIDE VIEW**



**SIDE VIEW**

Attach 984-0339 brackets on the back side of the shot clock using 1/4" washers (024-0579) and 1/4" bolts (024-0909) provided by Nevco. (4 places)

Attach Indoor Accessory Driver to wall between strut channel and make all wiring connections prior to installing shot clock on brackets. (attachments by others)

Attach bracket to spring nuts in strut channel using bolts and washers (by others)

Attach strut channel to wall (by others)

SSC-T5 Indoor LED Shot Clock Installation		<p style="margin: 0;"><b>Nevco, Inc.</b> Greenville, Illinois 62246</p>
Last ECO		Drawing No. 241-0452
Drawn KAB	Date 1/28/2016	Sheet 6 of 6