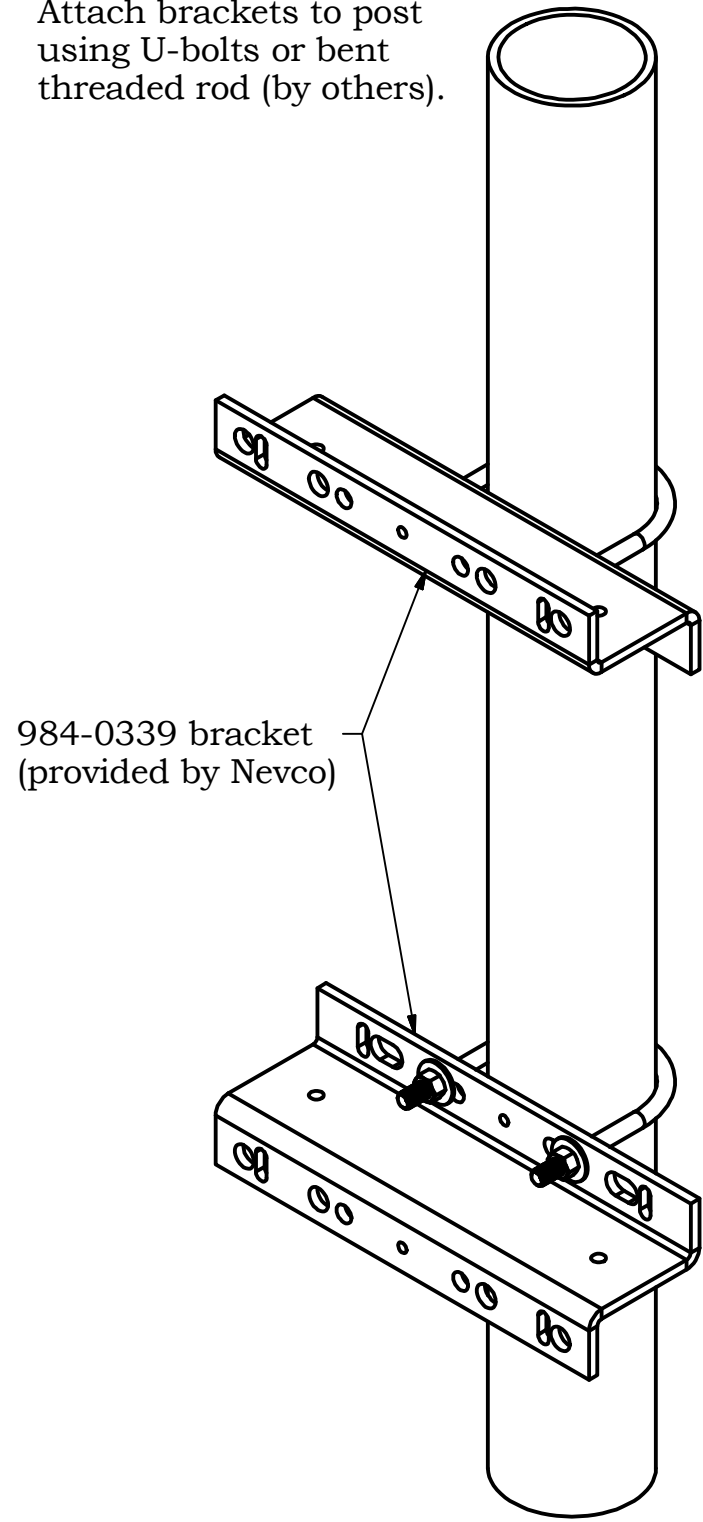


SINGLE SIDED SHOT CLOCK INSTALLATION

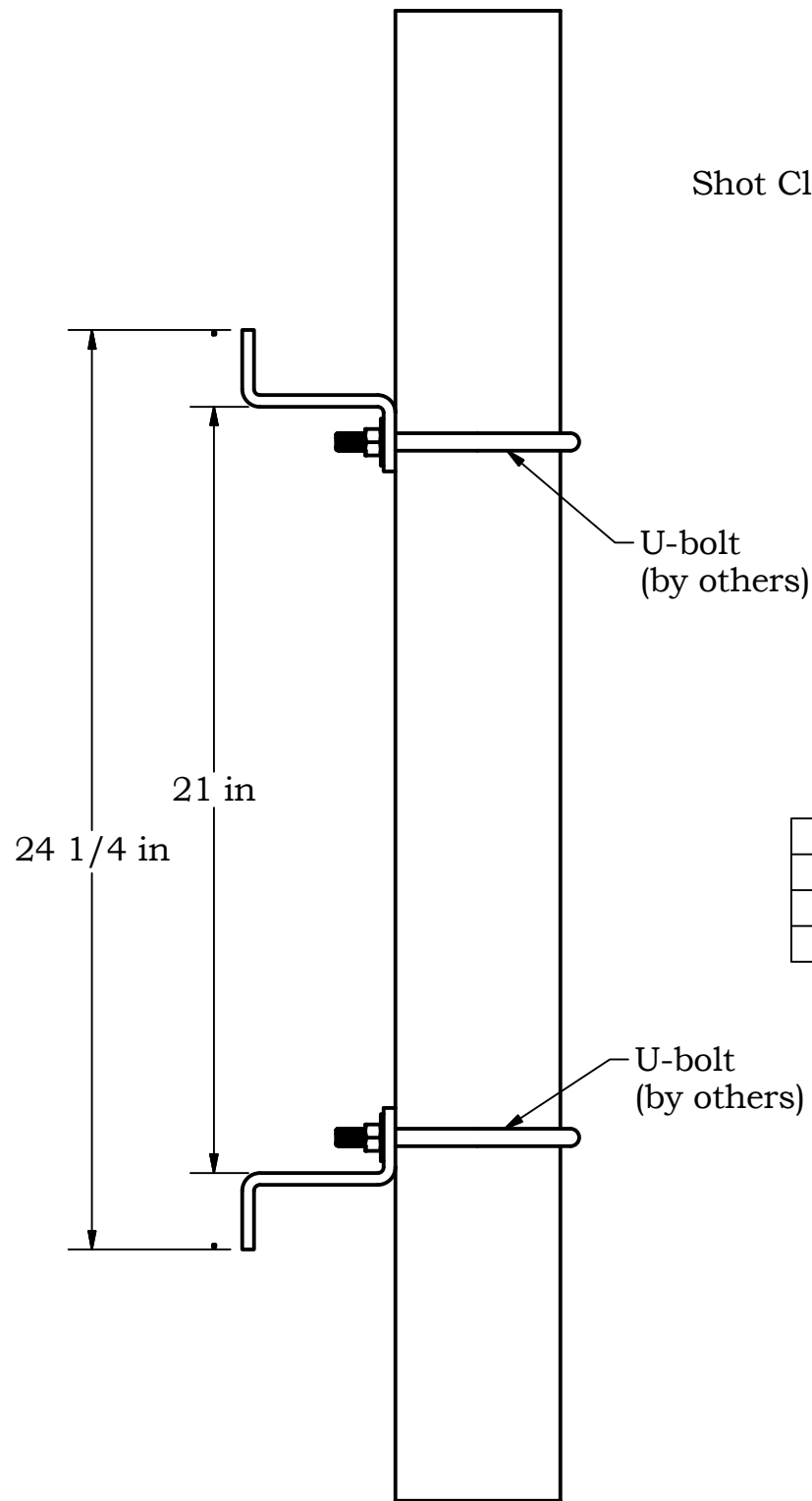
Rev B

STEP 1

Attach brackets to post using U-bolts or bent threaded rod (by others).

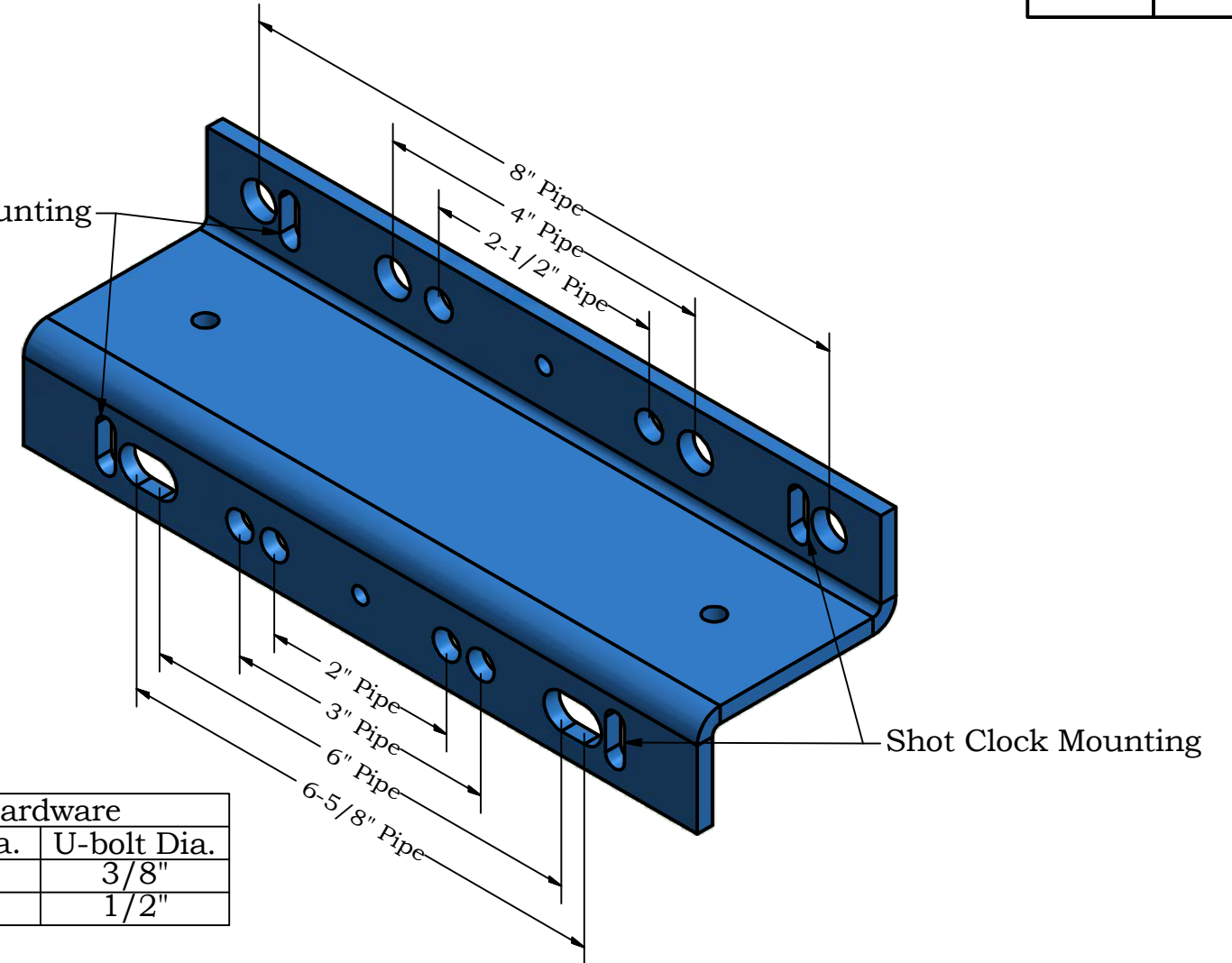


984-0339 bracket
(provided by Nevco)



U-bolt
(by others)

U-bolt
(by others)



Hardware	
Post Dia.	U-bolt Dia.
2" - 3"	3/8"
4" - 8"	1/2"

Hole locations in bracket match standard U-bolt dimensions. Determine post size and attach corresponding side of bracket to the post as shown on this sheet.

SSC-T5 Indoor LED
Shot Clock
Installation



Nevco, Inc.
Greenville, Illinois 62246

Last ECO

Drawing No. 241-0452

Drawn KAB Date 2/14/2018

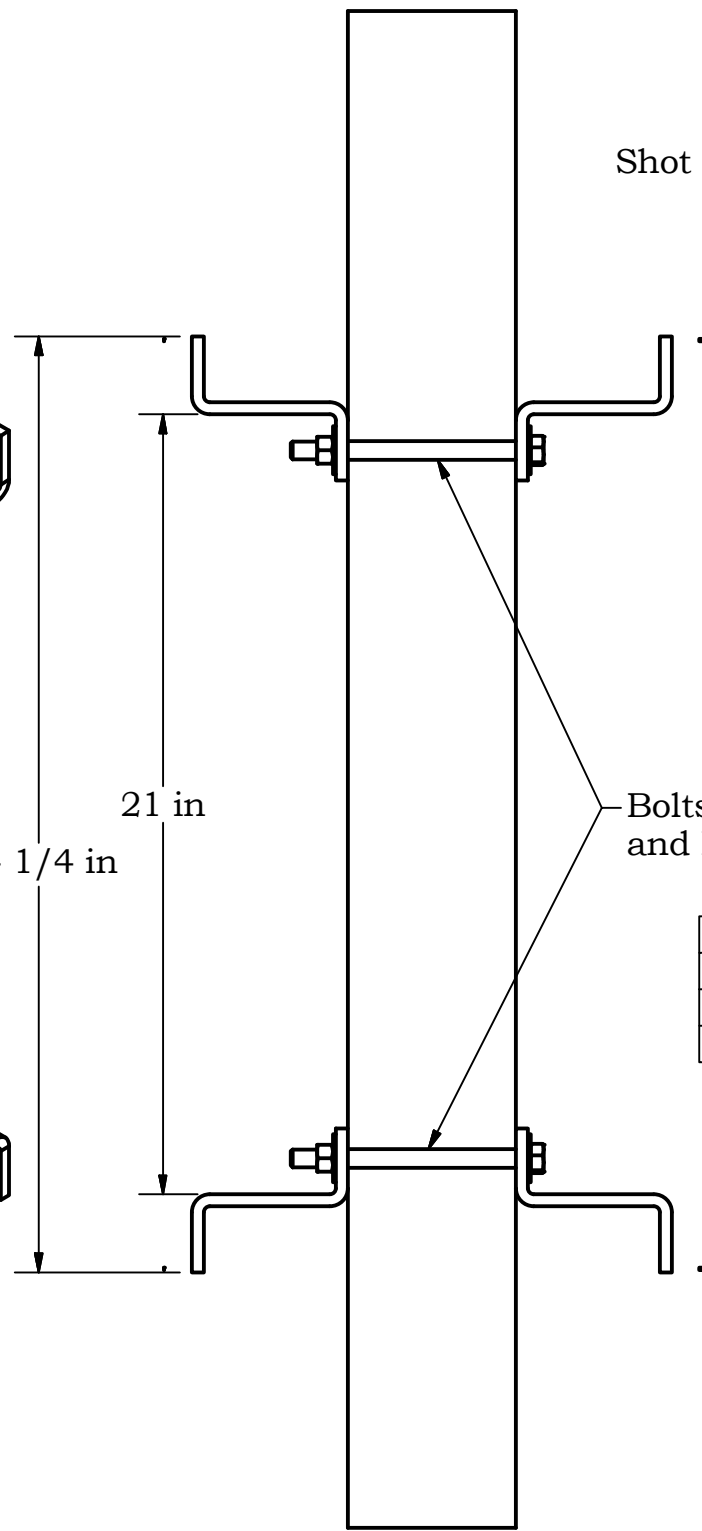
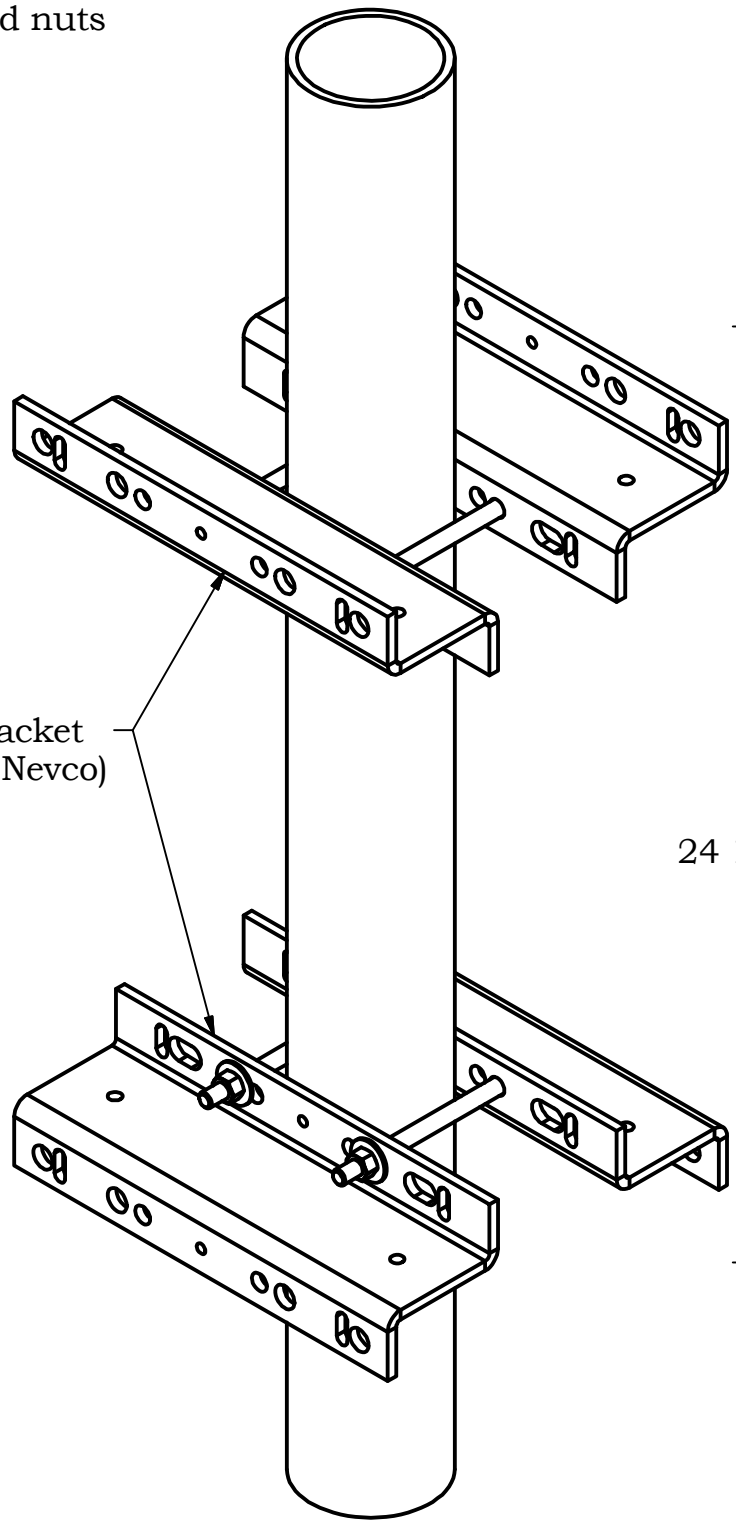
Sheet 1 of 6

STEP 1

Attach brackets to post using straight bolts, washers, and nuts (by others).

DOUBLE SIDED SHOT CLOCK INSTALLATION

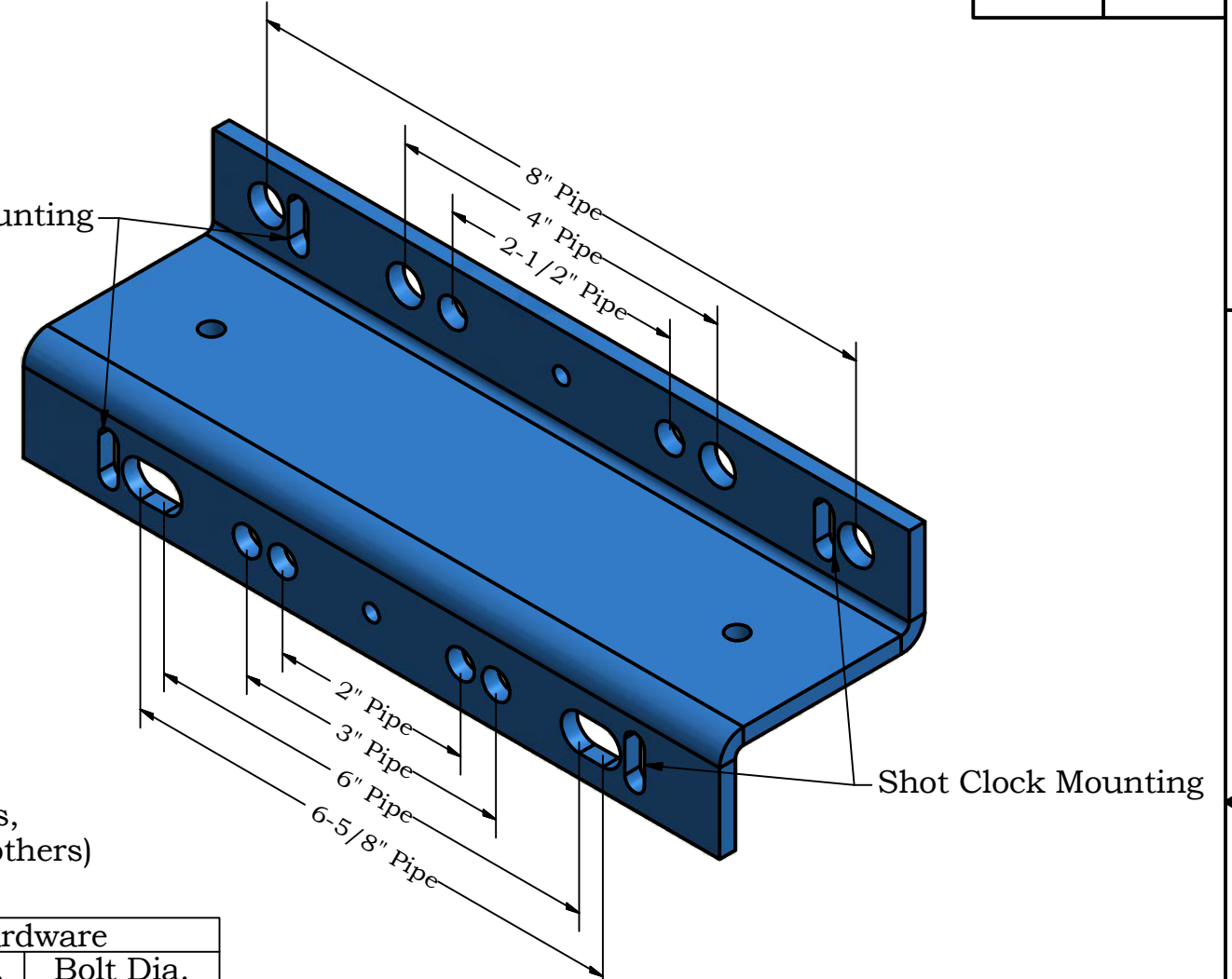
Rev B



Shot Clock Mounting

Bolts, Washers, and Nuts (by others)

Hardware	
Post Dia.	Bolt Dia.
2" - 3"	3/8"
4" - 8"	1/2"



Hole locations in bracket match standard U-bolt dimensions. Determine post size and attach corresponding side of bracket to the post as shown on this sheet.

SSC-T5 Indoor LED
Shot Clock
Installation



Nevco, Inc.
Greenville, Illinois 62246

Last ECO

Drawing No. 241-0452

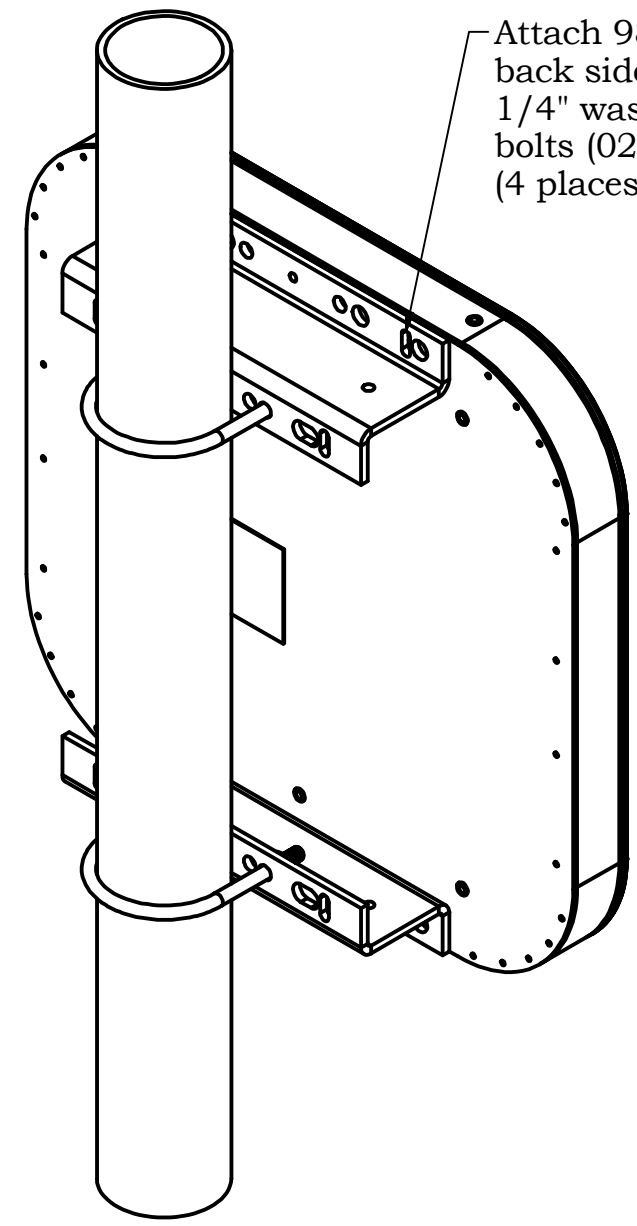
Drawn
KAB

Date
2/14/2018

Sheet of
2 of 6

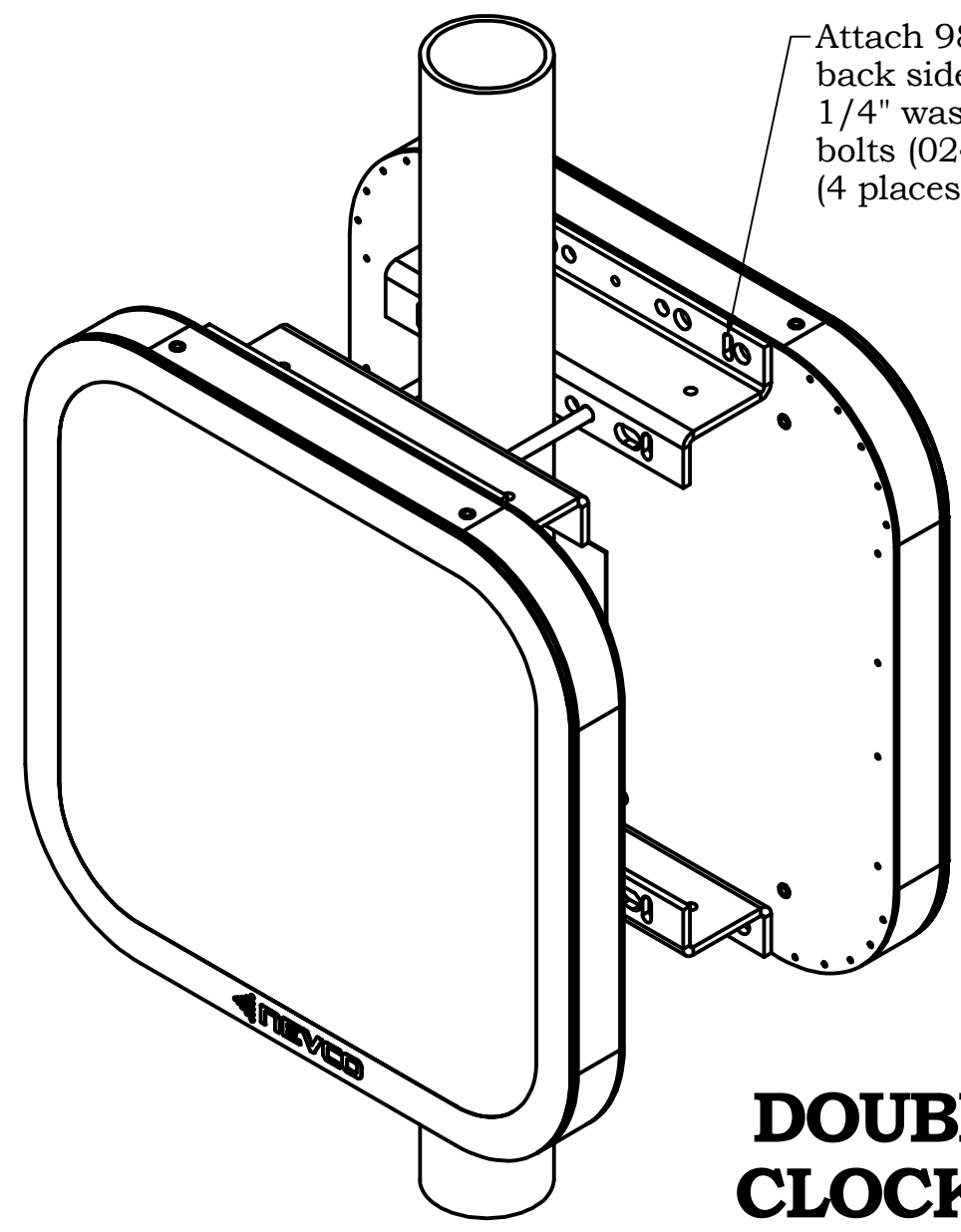
STEP 2

Rev	B
-----	---




Attach 984-0339 brackets on the back side of the shot clock using 1/4" washers (024-0579) and 1/4" bolts (024-0909) provided by Nevco. (4 places)

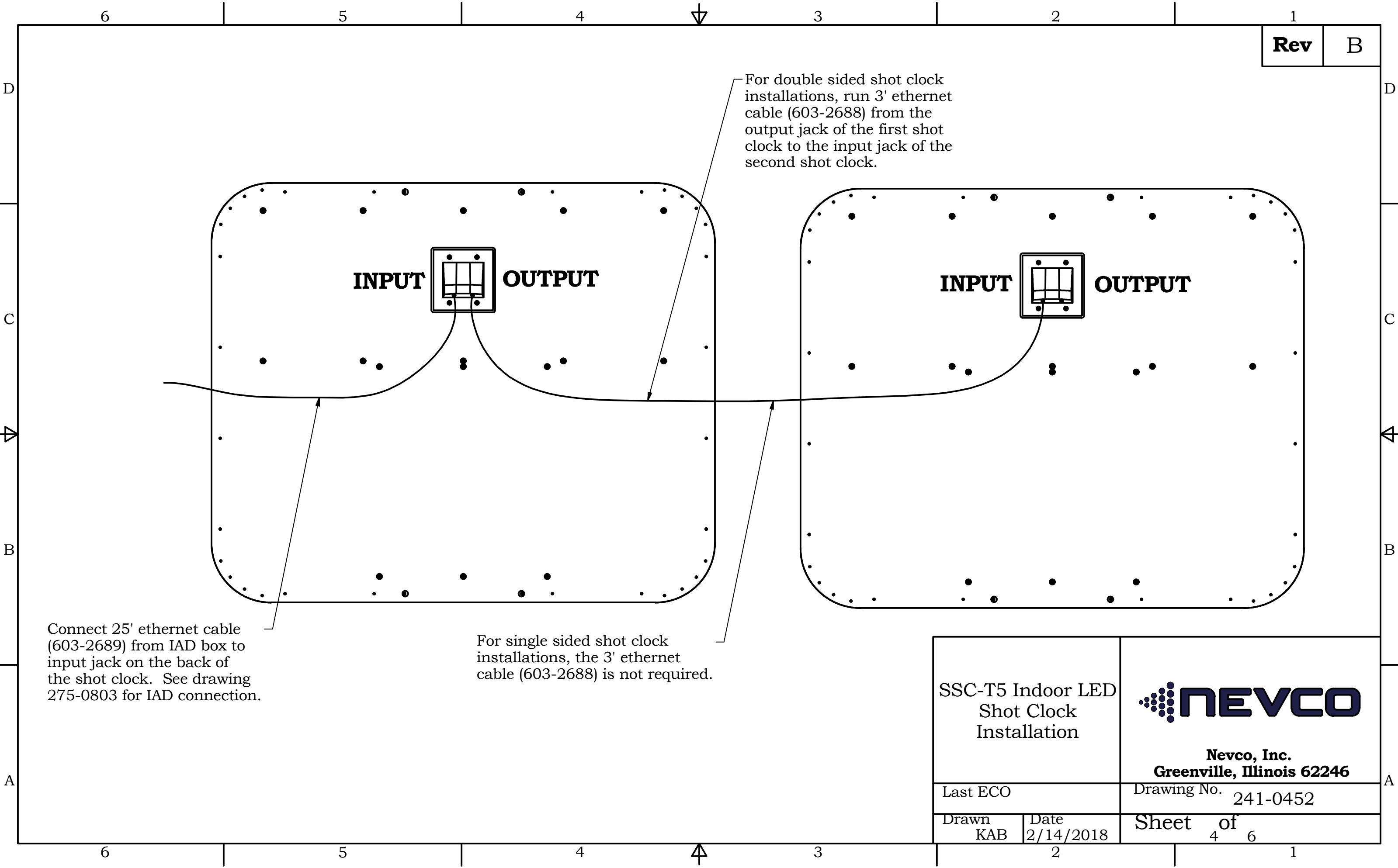
SINGLE SIDED SHOT CLOCK INSTALLATION



Attach 984-0339 brackets on the back side of the shot clocks using 1/4" washers (024-0579) and 1/4" bolts (024-0909) provided by Nevco. (4 places)

DOUBLE SIDED SHOT CLOCK INSTALLATION


SSC-T5 Indoor LED Shot Clock Installation		 Nevco, Inc. Greenville, Illinois 62246
Last ECO		
Drawn KAB	Date 2/14/2018	Sheet 3 of 6



For double sided shot clock installations, run 3' ethernet cable (603-2688) from the output jack of the first shot clock to the input jack of the second shot clock.

Connect 25' ethernet cable (603-2689) from IAD box to input jack on the back of the shot clock. See drawing 275-0803 for IAD connection.

For single sided shot clock installations, the 3' ethernet cable (603-2688) is not required.

SSC-T5 Indoor LED Shot Clock Installation		 Nevco, Inc. Greenville, Illinois 62246
Last ECO		
Drawn KAB	Date 2/14/2018	Sheet 4 of 6

Use screws from horn box face to attach brackets.
Do not tighten yet.

External horn box can
mount to the top or
bottom of the shot clock.

Use 8-32 x 1/2 screws provided with
hardware kit to secure brackets.
After screws are started, tighten to Shot
Clock and tighten screws into Horn Box
(Screws provided by Nevco)


Align standoffs with
holes in bracket before
tightening any hardware.

Attach standoffs to the
bracket using 1/4-20 x 3/4"
bolts, flat washers and lock washers.
Provided by Nevco.

Connect 2-pin accessory
cable from IAD box to
leads on the back of
the horn box. See
drawing 275-0803 for
IAD connection.

Thread provided standoffs
(024-1048) into bottom of
external horn box.

EXTERNAL HORN INSTALLATION

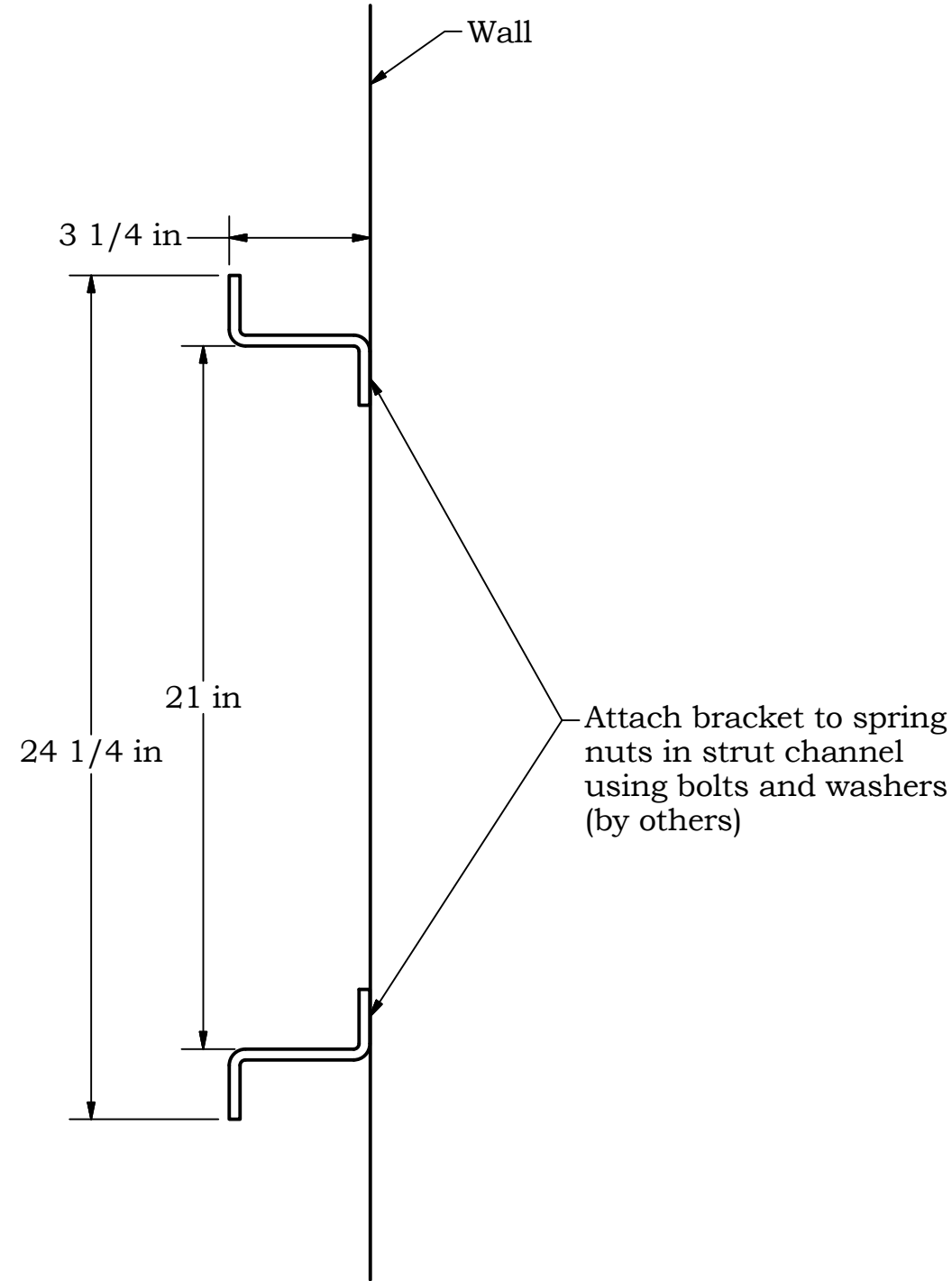
SSC-T5 Indoor LED Shot Clock Installation		 Nevco, Inc. Greenville, Illinois 62246
Last ECO		
Drawn KAB	Date 2/14/2018	Sheet 5 of 6

WALL MOUNTED SHOT CLOCK INSTALLATION

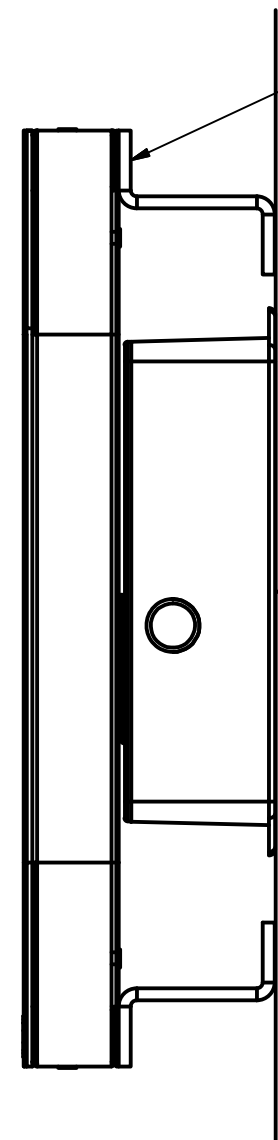
Rev	B
-----	---

D
C
B
A

D
C
B
A



SIDE VIEW



SIDE VIEW

SSC-T5 Indoor LED Shot Clock Installation			
Last ECO		Drawing No. 241-0452	
Drawn KAB	Date 2/14/2018	Sheet 6 of 6	

6 5 4 3 2 1