

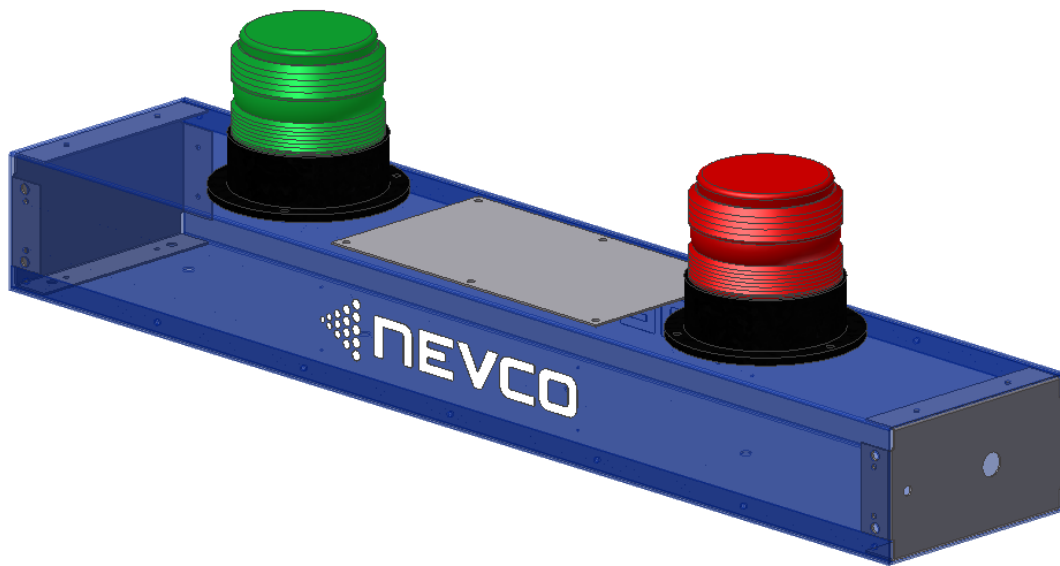
Nevco, Inc.

Installation Manual

Serial No. _____

Model GL-H6/GL-H7

- Size: Each module is 30''L x 7 5/8''H x 6''D (.76 x .19 x .15 meters)
 - Approximate hanging weight: 5 lbs each (2.3 kg)
 - Power requirements 120V, .4 Amps each
 - UL Listed/CSA Certified



Since 1934

Retain this manual in your permanent file.

Thank You

Thank you for purchasing from Nevco, Inc. Following are some important tips to remember when installing your new equipment.

- Pre-test the equipment as soon as possible after it arrives.
- Consult National Electrical Code and local codes before installation.
- Always use proper mechanical and electrical practices.

The GL-H6/H7 goal light system

The hockey goal light system consists of two goal light boxes, each having one red lens and one green lens with low voltage LED's. On the GL-H6, these boxes attach to an enclosure box, which houses the electronics, and are mounted near the goal nets. The GL-H6 enclosure and GL-H7 receive timing data from the same control that is operating the scoreboard. For the GL-H6 a hand held switch plugs into the goal light enclosure and is to be activated by the goal judge when a goal is scored. For the GL-H7 a goal is activated using the hand held switch that is plugged into the scoreboard controller. This switch is disabled when the period ends. Size of each goal light box is 30"L x 7 -5/8"H x 6"D (.76 x .19 x .15 meters) Approximate weight 5 lbs. each (2.3 kg)

Installation Instructions

Unpacking the Equipment

To protect your new equipment from accidental damage, follow the steps below:

- Carefully remove all equipment from its packing carton. Inspect for damage.

Note: If damage to any equipment contact carrier immediately.

Pre-Test Your Equipment

(Goal Light Pre-Mounting Test)

- Connect the 2-Pin connectors from the goal light box to a signal source. (GL-H6 box or receiver). GL-H6 box and IAD receiver connects to scoreboard controller.
- Follow the Control Hookup & Testing Guide to make sure the system operates properly.

Note: The paragraph below explains the operating concept. Use the control with the regular model code to test the system

GL-H6 operation

The green lights illuminate at the end of the period and, with the default startup settings, will remain on until the beginning of the next period. While the green lights are illuminated the goal lights are disabled.

To signal a score the goal judge turns on the GJS-5 hand held switch that is plugged in to the GL-H6 box. This turns on the red light and disables the end of period lights.

This disabling of lights is to avoid confusion of a score near the end of a period.

GL-H7 operation

The green lights illuminate at the end of the period and, with the default startup settings, will remain on until the beginning of the next period. While the green lights are illuminated the goal lights are disabled.

To signal a score the score keeper turns on the SCS-7A hand held switch that is plugged into the MPCW-7 controller. This turns on the red light and disables the end of period lights.

This disabling of lights is to avoid confusion of a score near the end of a period.

Power Service Connections

Consult the National Electrical Code and local codes for the installation of class 2 wiring.

Consult the league rules for the proper location of goal lights.

Since the power requirements of this goal light system is low, it may be connected to the same circuit as the scoreboard.

The low voltage LED fixtures may be mounted away from the GL-H6 goal light box if desired. Use #22 ga. four conductor wire (order wire required from Nevco). Maximum length is 250 feet from the GL-H6 box to the low voltage LED fixture.

Note:

When making connections inside the GL-H6 box, be careful not to damage the fiber optic cable.

Do not bundle 120V wiring with the Class 2 wiring.

If the GL-H6 box is mounted using a conduit installation, then the power cord must be removed.

If conditions permit, the owner may place the power service and the 4-WIRE control cable in the same conduit. The 4-WIRE cable has a dielectric strength of 300 volts or better. Consult the National Electrical Code and local codes for the installation of class 2 wiring.

Connect the 4-WIRE control cable to the GL-H6 box or the IAD for GL-H7.

Check all connections and assemblies before applying power to the system.

Test the complete scoreboard system. If the GL-H6 or the scoreboard system does not operate properly, refer to the Troubleshooting Guide.

WIRED OPERATION

GL-H6: Make connection from GL-H6 box to control.

GL-H7: Make connection from IAD to MPC-7 control.

WIRELESS OPERATION

GL-H6: Run RG-58 coax from GL-H6 box to wireless receiver.

GL-H7: Run RJ-12 cable from IAD to wireless receiver.

GL-H6/H7 Hanging Installation

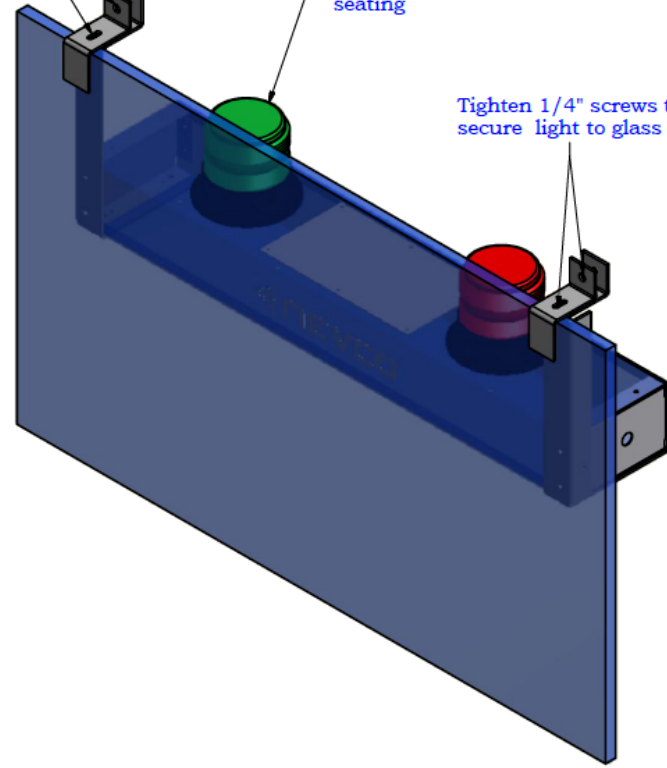
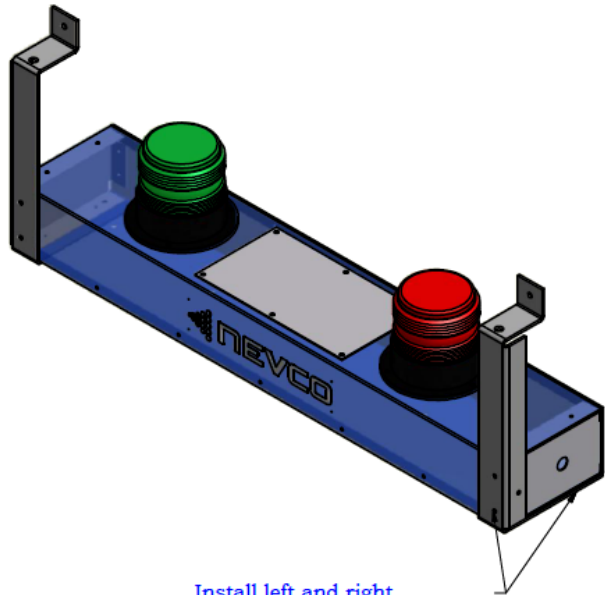
Rev --

Loosely install bracket clips to brackets using 1/4" screws provided by Nevco and slide goal light on top of glass


Goal light to be installed on same side of glass as seating

Tighten 1/4" screws to secure light to glass

Install left and right brackets to goal light using 8/32 machine screw provided by Nevco. (5) per bracket

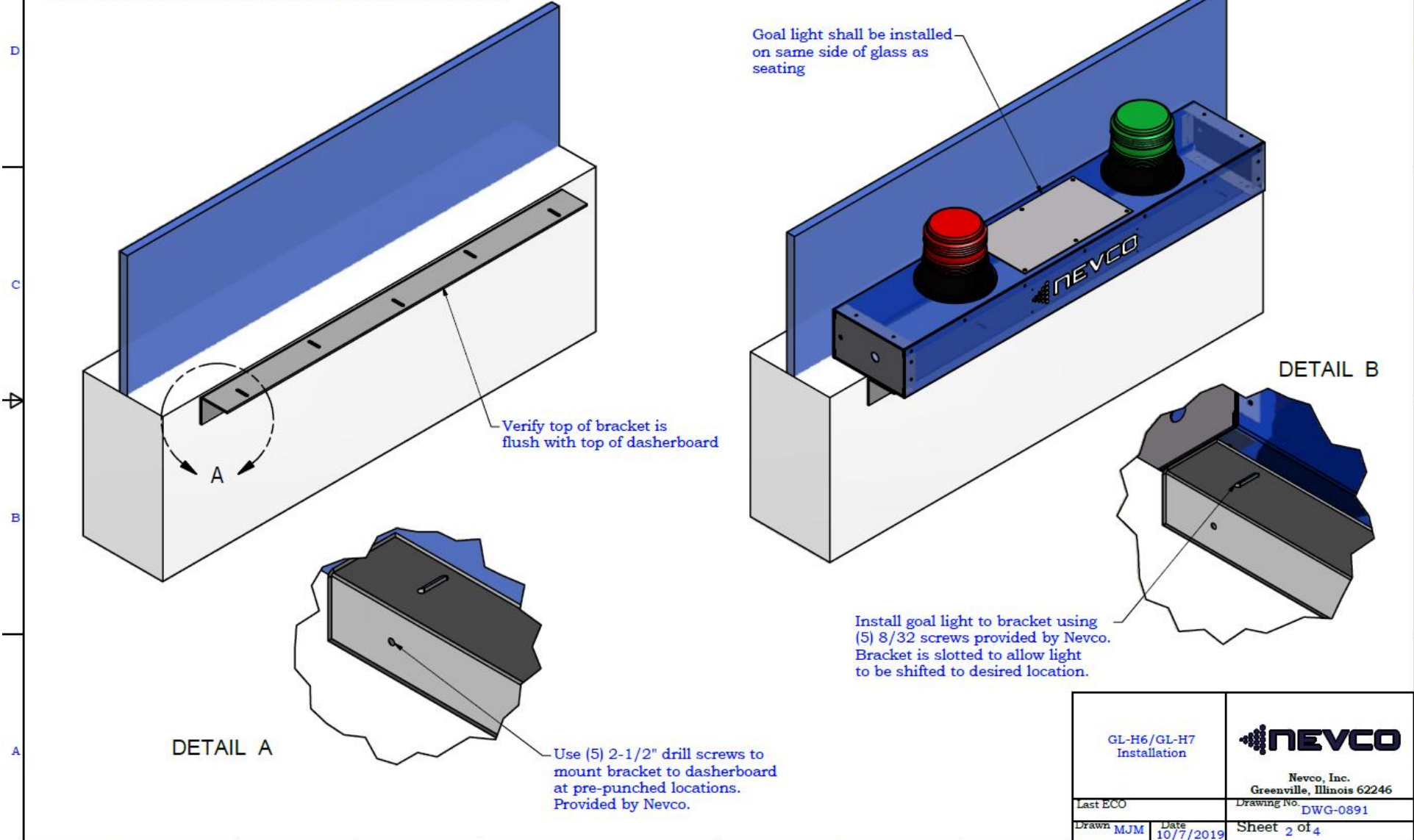


See Page 2 for dasherboard installation

GL-H6/GL-H7 Installation			
		Nevco, Inc. Greenville, Illinois 62246	
Last ECO		Drawing No. DWG-0891	
Drawn MJM	Date 10/7/2019	Sheet 1 of 4	

GL-H6/H7 Dasherboard Installation

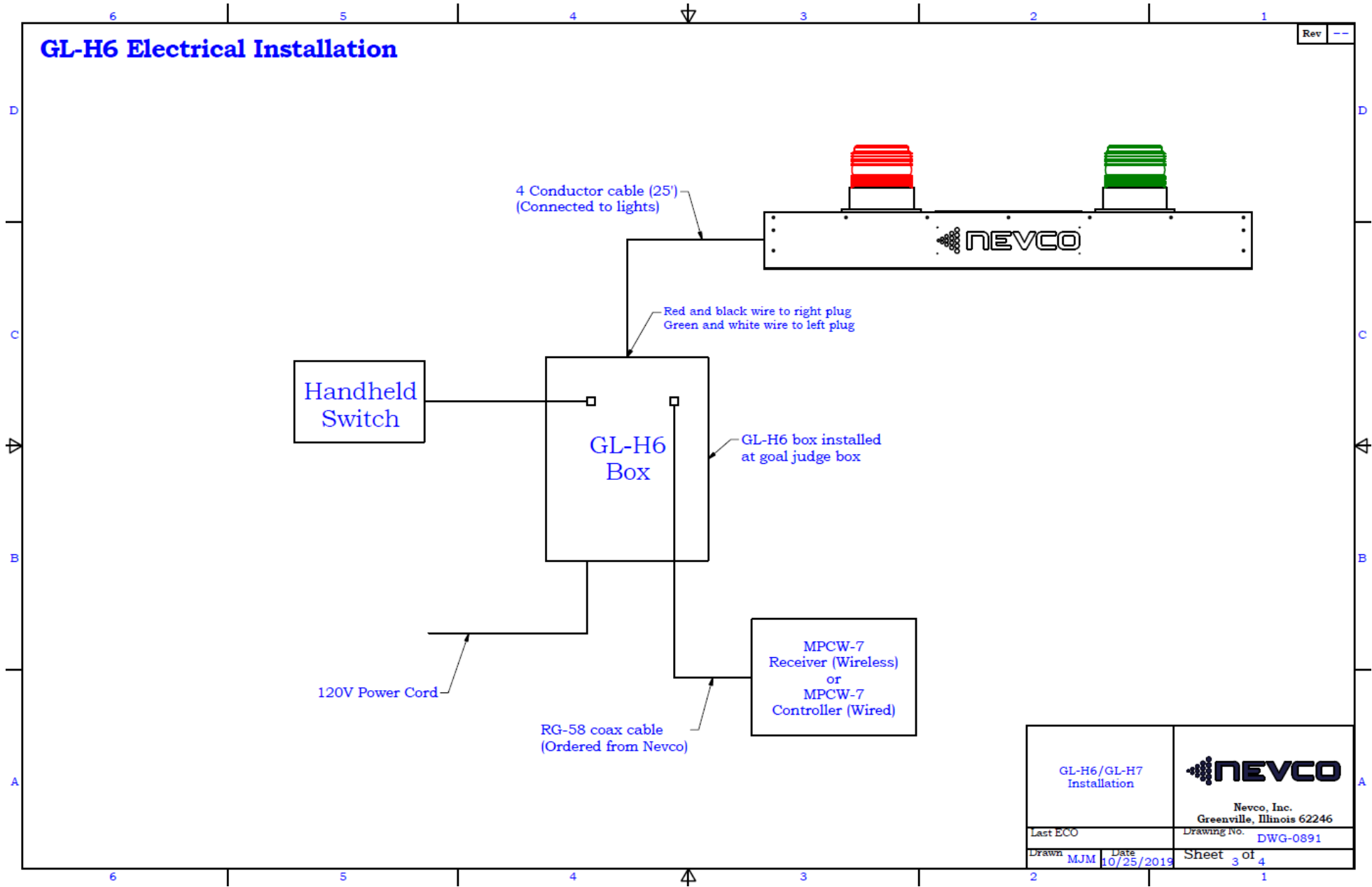
Rev ---




GL-H6/GL-H7 Installation			
		Nevco, Inc. Greenville, Illinois 62246	
Last ECO		Drawing No. DWG-0891	
Drawn MJM	Date 10/7/2019	Sheet 2 of 4	

GL-H6 Electrical Installation

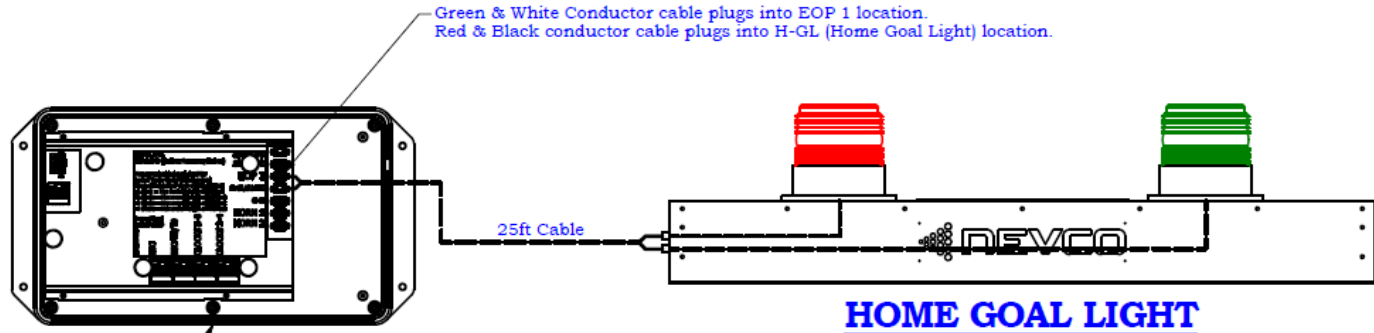
Rev --



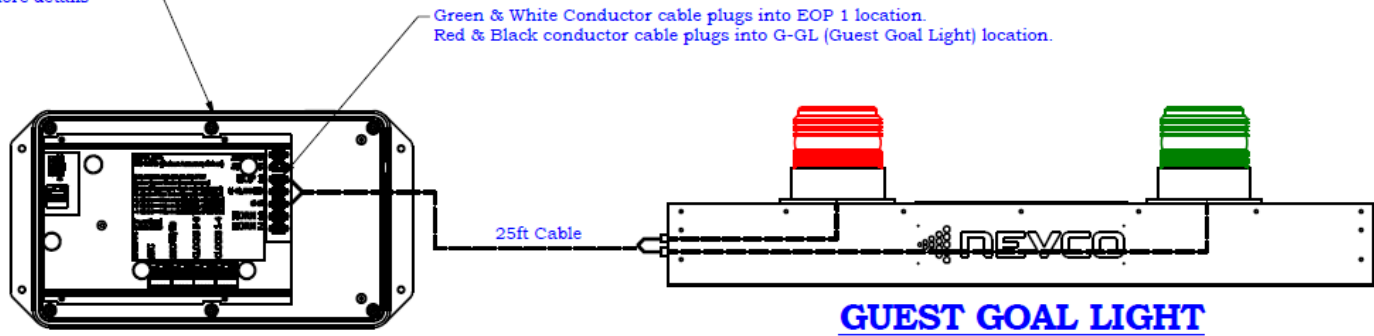
GL-H6/GL-H7 Installation		 Nevco, Inc. Greenville, Illinois 62246	
Last ECO		Drawing No. DWG-0891	
Drawn MJM	Date 10/25/2019	Sheet 3 of 4	

GL-H7 Electrical Installation

Rev --



IAD
See 275-0825 for
more details



GL-H6/GL-H7 Installation			
		Nevco, Inc. Greenville, Illinois 62246	
Last ECO		Drawing No. DWG-0891	
Drawn MJM	Date 10/25/2019	Sheet 4 of 4	

GL-H6/H7 System Testing

Because the microcomputer is capable of “masking” weaknesses in the scoreboard system, it is important that it reveal problems so corrections can be made before they get worse. A special command can be sent from the control to start the **scoreboard self-test** program. Please consult the **Control Hookup and Troubleshooting Guide** for instructions on initiating and terminating the following tests.

Control Signal Test

Consult the **Control Hookup and Troubleshooting Guide** for availability and instructions.

Scoreboard Self-test

Consult the **Control Hookup and Troubleshooting Guide** for instructions on initiating this test.

Light Circuit Test

When the **Scoreboard Self-test** is started, There will be a pause for about a second before the **Light Circuit Test** starts. Then the indicators will light, first one then the other. This pattern will continue until you either reestablish communications from the control or turn off the power to the GL-H6/H7

Troubleshooting Guide

A malfunction normally results from a component failure or a bad mechanical connection. This troubleshooting guide helps to locate the failure. This information can then be reported to the Nevco Service Department.

NOTE: Turning the control off does **NOT** turn the power off to the scoreboard or other devices.

PROBLEM

Control seems to operate correctly, however, the goal lights do not illuminate.

SOLUTION

- ❑ Check circuit breakers associated with the GL-H6/H7 system.
- ❑ With the power off, check the fuses on the GL-H6 box.
- ❑ Use the 25 foot RG-58 coax cable to plug the control directly into the GL-H6 box. Use an extension cord to plug the control into a 120V, 50/60HZ grounded outlet.

PROBLEM

Control display does not illuminate when turned on and the goal lights do not illuminate.

SOLUTION

- ❑ See **Control Hookup and Troubleshooting Guide**.

PROBLEM

One or more of the low voltage LED's will not light.

SOLUTION

- ❑ Replace the LED fixture.

PROBLEM

The green end of period indicators stay on even after the time is reset.

SOLUTION

- ❑ This is the normal default. An option may be available that will cause the green end of period indicators to turn off as soon as the time is reset. (check your operating instructions)

If the problem persists please contact the Nevco Service Department.

800-851-4040



NEVCO GUARANTEE

To view or receive the most recent copy of the Guarantee, please visit our website, www.nevco.com or call 1-618-664-0360

— IN USA —	— IN CANADA —
<p align="center">NEVCO, Inc. 301 East Harris Avenue Greenville, IL 62246-2151 USA</p> <p align="center">Telephone: 618-664-0360 Fax: 618-664-0398 TOLL-FREE 800-851-4040 (From all 50 states and Puerto Rico)</p>	<p align="center">NEVCO, ULC 107 Forestview Rd. Orillia, ON L3V 7C1 Canada</p> <p align="center">Telephone: 703-325-4005 Fax: 705-325-8891 TOLL-FREE 800-461-8550</p>
<p align="center">Website: www.nevco.com Email: info@nevco.com</p>	

NOTE: This equipment has been tested and found to comply with the limits for a Class A digital device, pursuant to part 15 of the FCC Rules. These limits are designed to provide reasonable protection against harmful interference when the equipment is operated in a commercial environment. This equipment generates, uses, and can radiate radio frequency energy and, if not installed and used in accordance with the instruction manual, may cause harmful interference to radio communications. Operation of this equipment in a residential area is likely to cause harmful interference in which case the user will be required to correct the interference at his own expense.

This class A digital apparatus meets all requirements of the Canadian Interference- Causing Equipment Regulations.

Cet appareil numérique de la classe A respecte toutes les exigences du Règlement sur le matériel brouleur du Canada.