

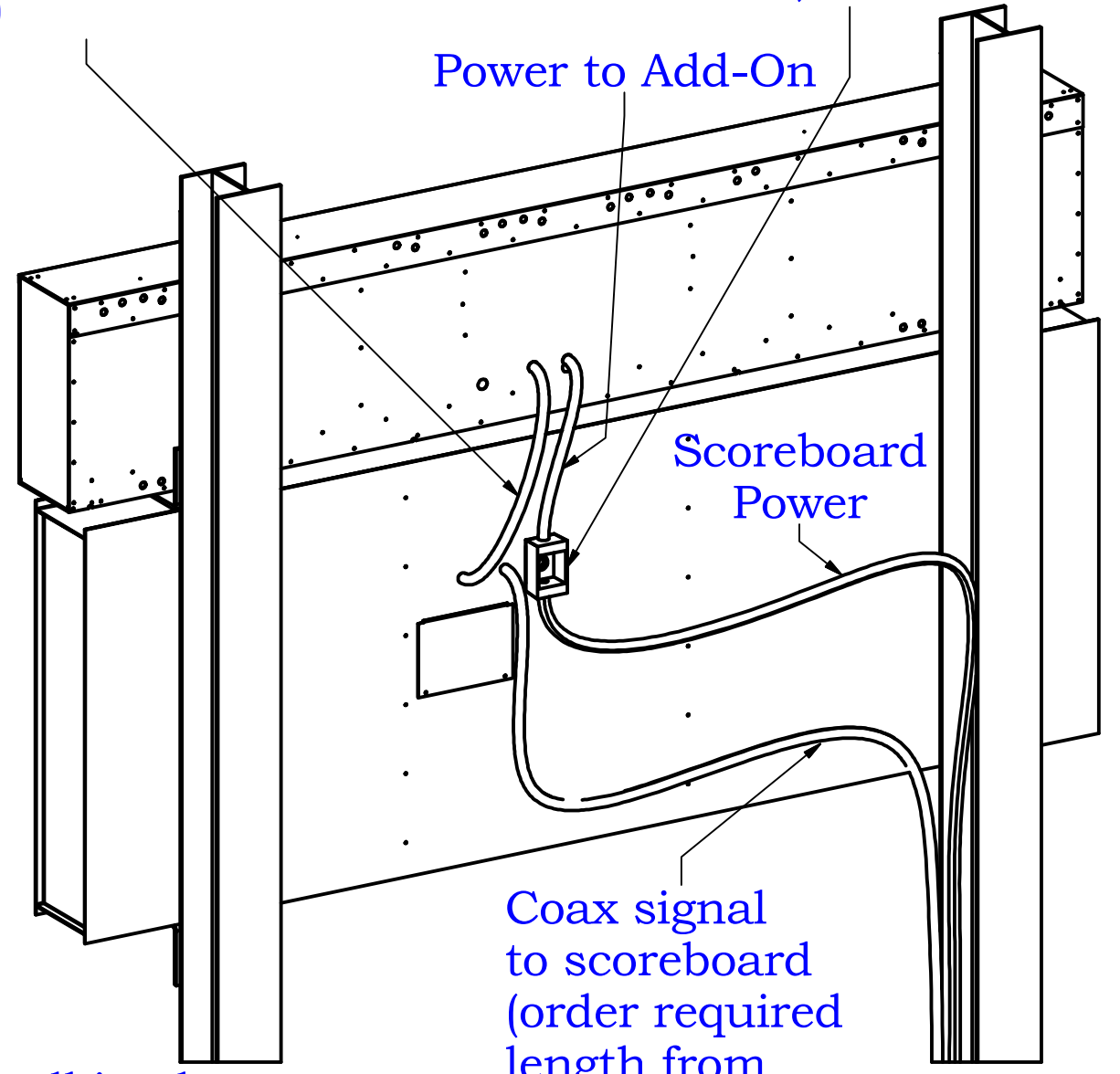
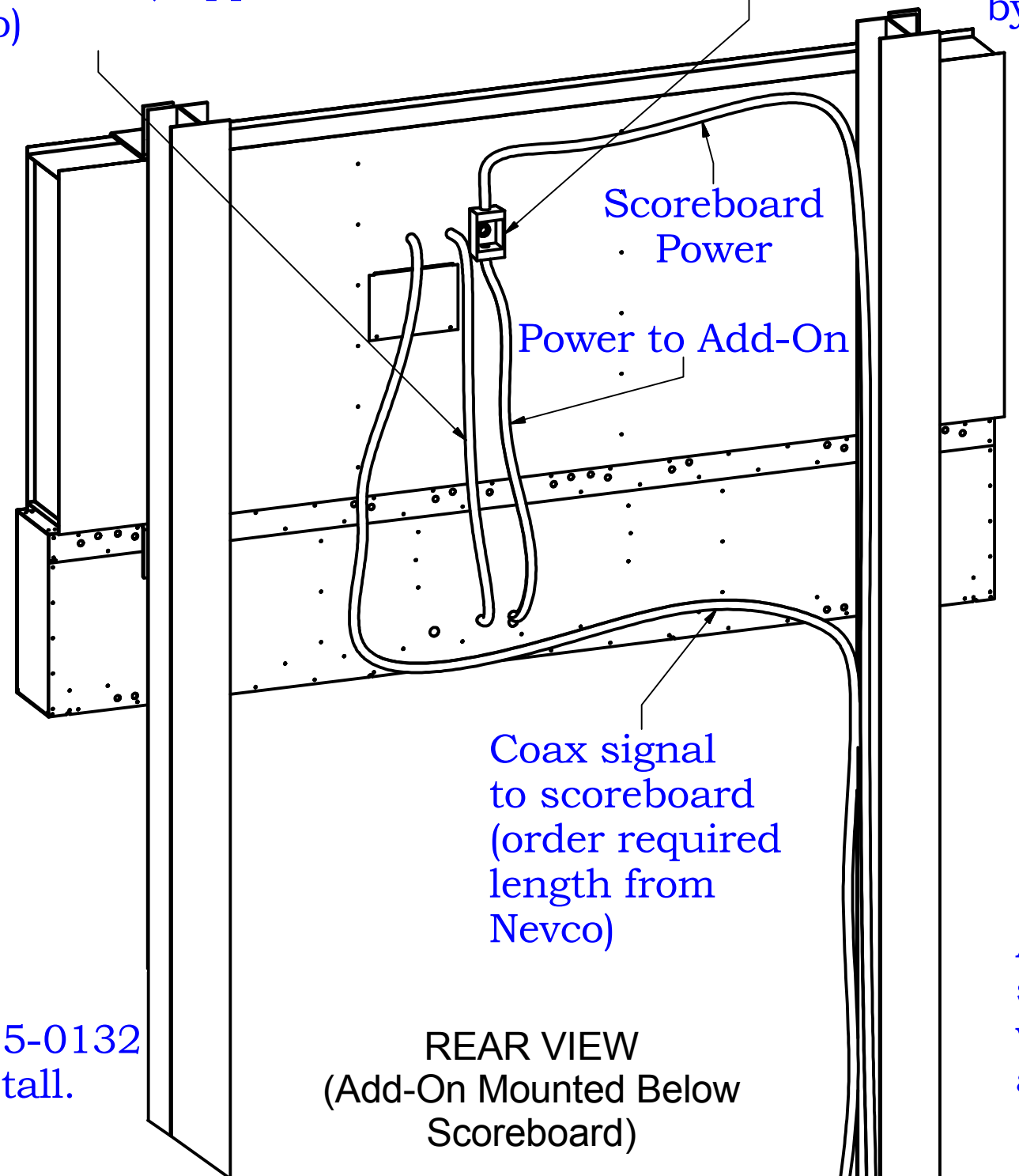
FRONT VIEW

25' Coax from scoreboard control module to Add-On control module (supplied by Nevco)

Power junction box (supplied by Nevco)

25' Coax from scoreboard control module to Add-On control module (supplied by Nevco)

Power junction box (supplied by Nevco)



Apply caulking between spacer plate and box as well as between the plate and back of cabinet. (Use water-tight fitting)

Junction Box (supplied by Nevco)

Back of Scoreboard

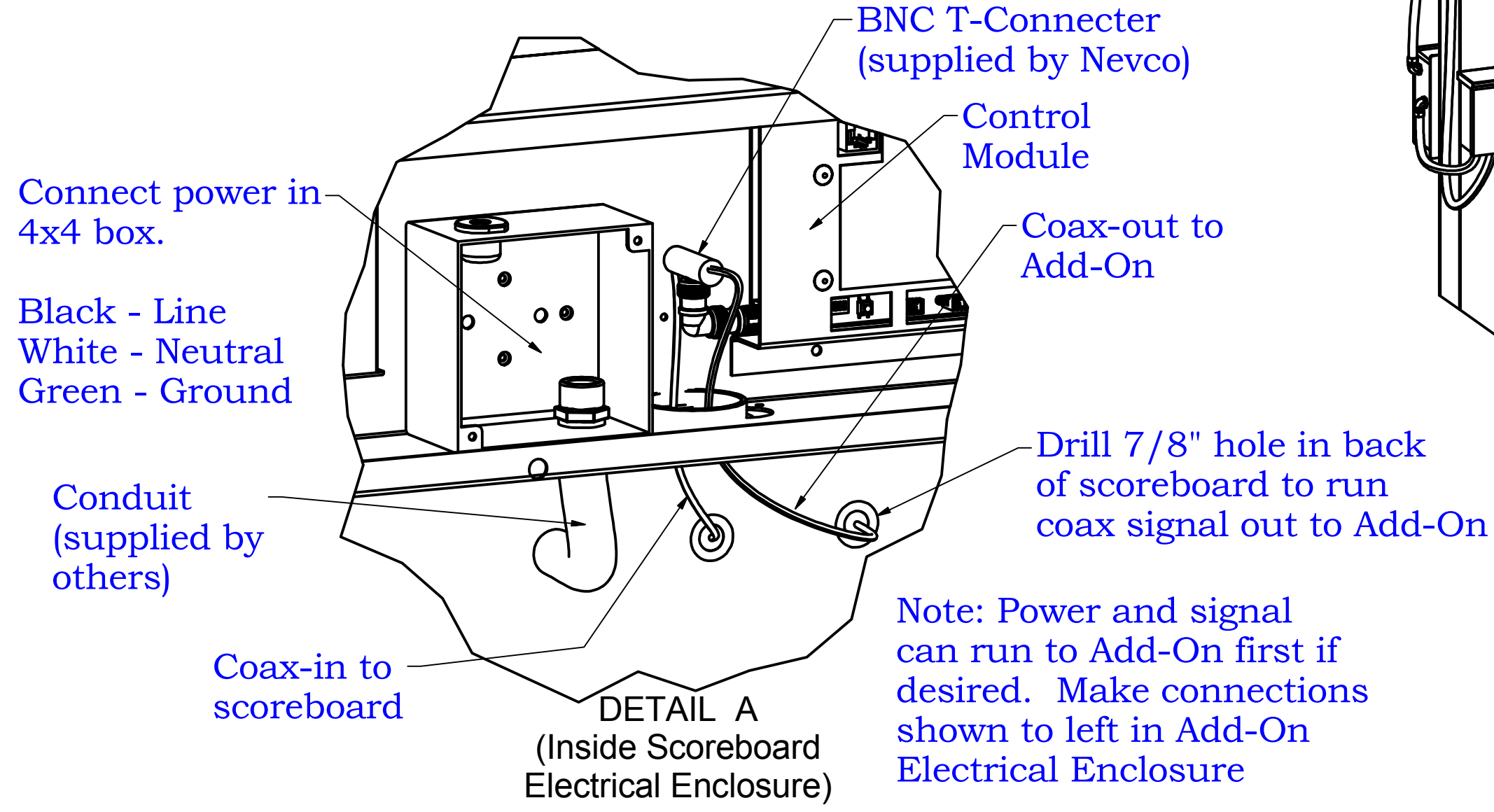
Spacer plate (supplied by Nevco)

Power Junction Detail

ADD-ON POWER REQUIREMENTS

Model	Current @120/240 V
5632	2.5/1.3A
5633	1.3/0.6A
5642	1.3/0.6A
5643	2.5/1.3A
PCD-08	0.3/0.1A
PCD-10	0.3/0.1A
PCD-16	0.3/0.1A
PCD-18	0.3/0.1A

Note:  
 1) Water tight fittings are required (supplied by others)  
 2) Conduit supplied by others



Add-On Power/Communication Installation		<p><b>NEVCO</b></p> <p>Nevco, Inc.                  Greenville, Illinois 62246</p>
Drawn	Date	
DBB	06/25/18	Drawing No. 275-0693
		Sheet 1 of 1