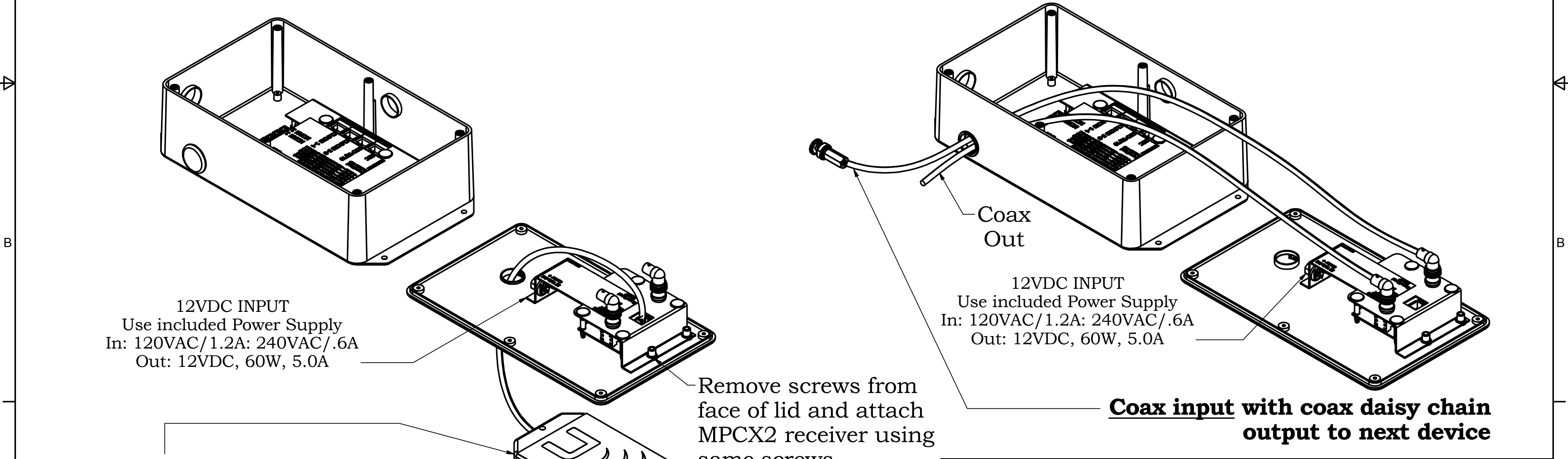


MPCW-6 (1st & 2nd Gen) with coax daisy chain output to next device
Option: Series 7 Receiver can be added to this config


MPCX with coax daisy chain output to next device
option: Series 7 Receiver can be added to this config

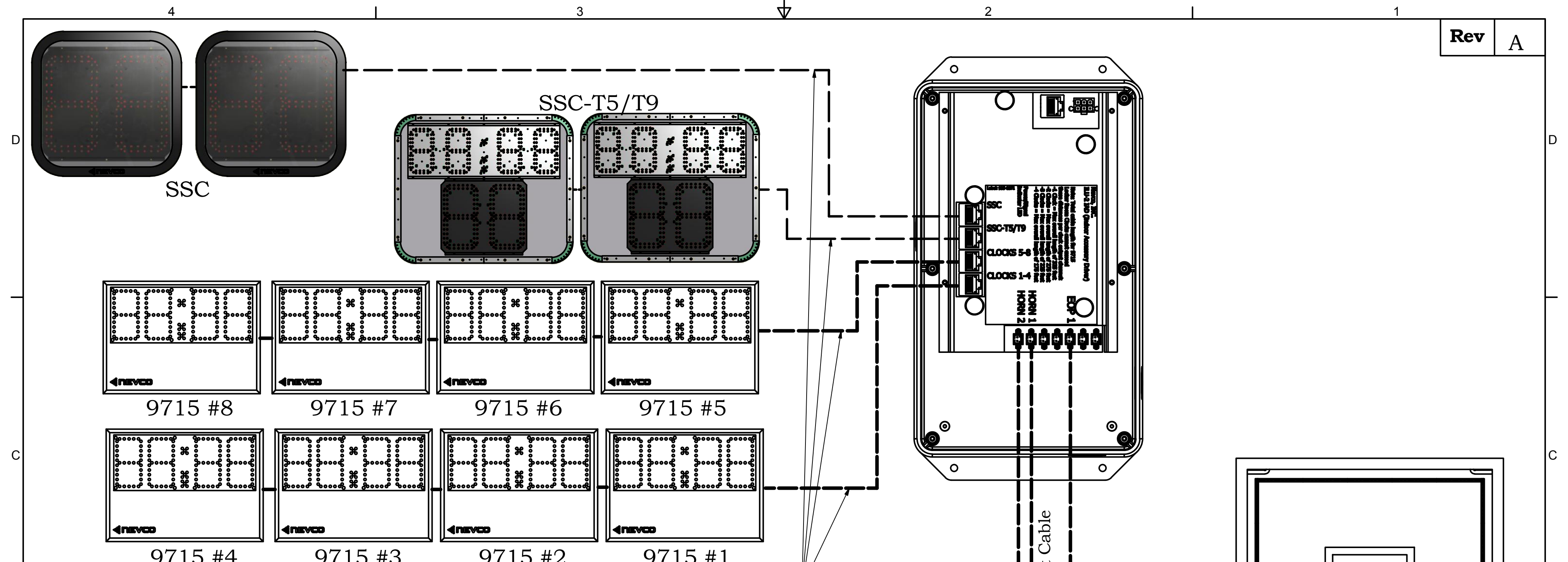


Series 7 Receiver with coax daisy chain output to next device
Option: Coax Input

Coax input with coax daisy chain output to next device

Please Note:
-Systems w/ multiple signal inputs will use whichever signal is present 1st.
The 1st signal must be turned off for the equipment to start using 2nd signal.
-To maintain reliable wireless connection there must be clear line of sight between the transmitter and all receivers in the system.

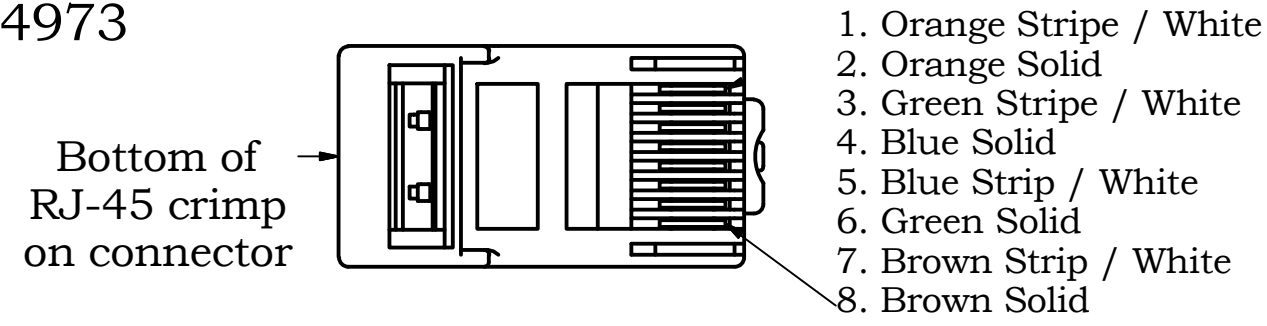
IAD-2 Indoor Accessory Driver Signal Input/Output Configurations		 Nevco, Inc. Greenville, Illinois 62246
Drawn KAB	Date 3/28/2016	
		Sheet 1 of 2



Use standard 8 conductor, 24 gauge Straight-Thru "Patch" style Ethernet cables to connect 9715 clocks together.
 Max Chain Length for number of clocks = 325'(1), 275'(2), 225'(3), 175'(4)

DO NOT USE CROSSOVER CABLES
DO NOT CONNECT IAD or 9715 TO COMPUTER NETWORK
 Ethernet (patch cables) extensions available.

- 25ft Nevco Part #603-2689
- 50ft Nevco Part #603-4970
- 100ft Nevco Part #603-4971
- 150ft Nevco Part #603-4972
- 200ft Nevco Part #603-4973



Patch Cable pinout (TIA T568B Standard)
 Both ends of Ethernet cable should match each other

Combine 10ft & 25ft cables to connect IAD to EOP.
 14 gauge extensions available.
 -25 foot Nevco Part #603-2372
 -50 foot Nevco Part #603-3032
 -100 foot Nevco Part #603-3033
 -150 foot Nevco Part #603-3034
 -200 foot Nevco Part #603-3035

Horns mounted in external box

* IAD max. input current at 120VAC is 0.5Amps

IAD output power limit 5.0 Amps @ 12vDC				
Device Description	12vDC Amps per Device	Max Devices per output	Total Amps per output	# Outputs
Locker Room Clocks	0.3	4	1.2	2
(SSC) Slim Shot Clocks	0.4	4	1.6	1
(SSC-T5) Shot Clocks	0.7	4	2.8	1
(SSC-T9) Shot Clocks	1.0	4	4.0	1
Horns	0.6	1	0.6	2
EOPs	1.2	1	1.2	1

IAD-2 Indoor Accessory Driver Accessory Output Configurations		 NEVCO Nevco, Inc. Greenville, Illinois 62246
Drawn KAB	Date 3/28/2016	
		Drawing No. 275-0803
		Sheet 2 of 2