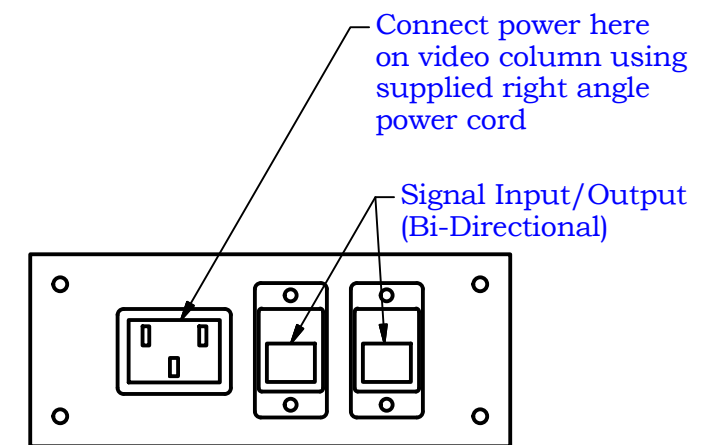
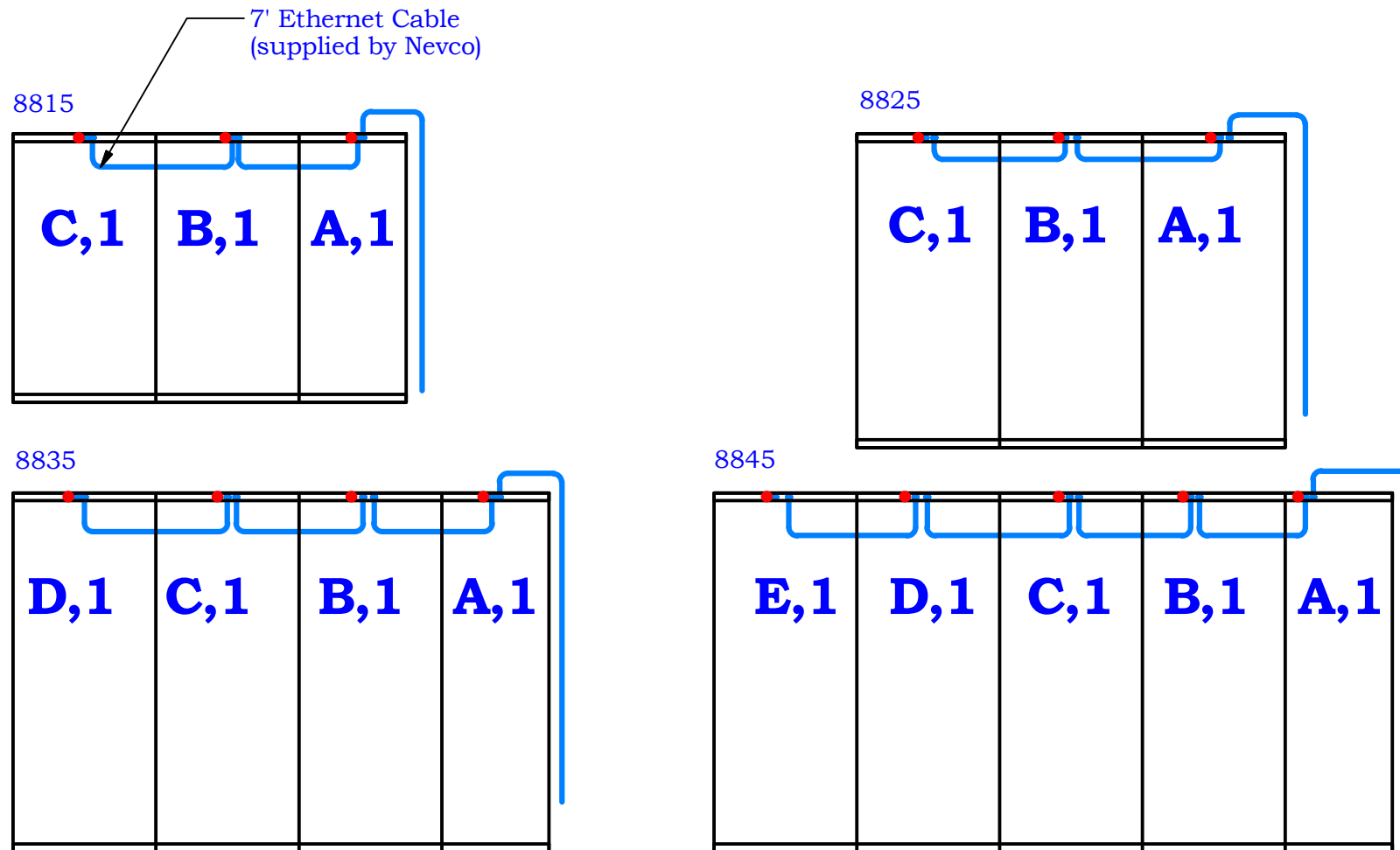


# Rear View

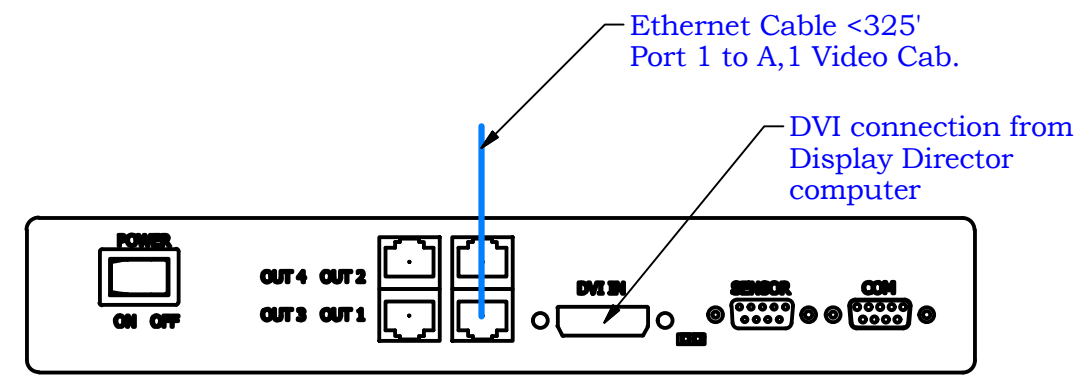
**Power Location** ●  
**Signal Location** ●

Full Load @ 50/60 Hz					Rev	--
Product	Description	Amps @ 120 VAC	Input Voltage	Total Plus 30% Margin		
8815	5.92'H x 8.66'W	14.9	120 VAC	19.4		
8825	6.92'H x 9.45'W	18.6*	120 VAC	24.2		
8835	7.92'H x 11.81'W	26.2*	120 VAC	34.0		
8845	7.92'H x 14.96'W	33.2*	120 VAC	43.1		

\*Require (2) Branch Circuits  
**Use high inrush current circuit breakers for video display.**



**10mm Video Connection Detail**



**Video Controller.**  
 Mounts near Display Director Computer in Press Box  
 (See Drawing 275-0206)

**Important. Read before installation.**  
 This sign is intended to be installed in accordance with the requirements of Article 600 of the National Electric Code and/ or other applicable codes. This includes proper grounding and bonding of the sign. Conduit, boxes, and fittings are supplied by installer.

10mm Display		
	Nevco, Inc. Greenville, Illinois 62246	
Last ECO	Drawing No.	
	DWG-0795	
Drawn DDS	Date	Sheet
	6/13/16	1 of 1