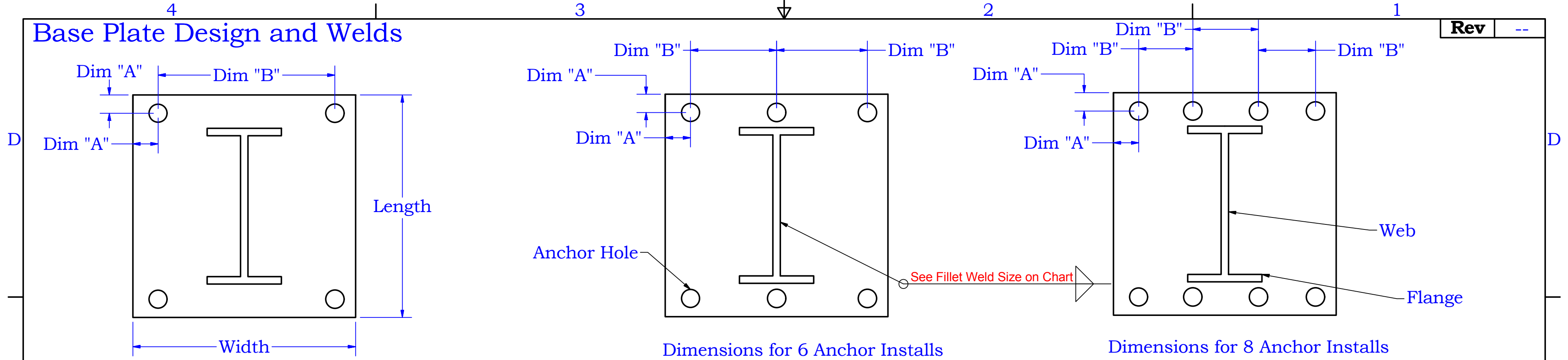


Base Plate Design and Welds

Rev	--
-----	----



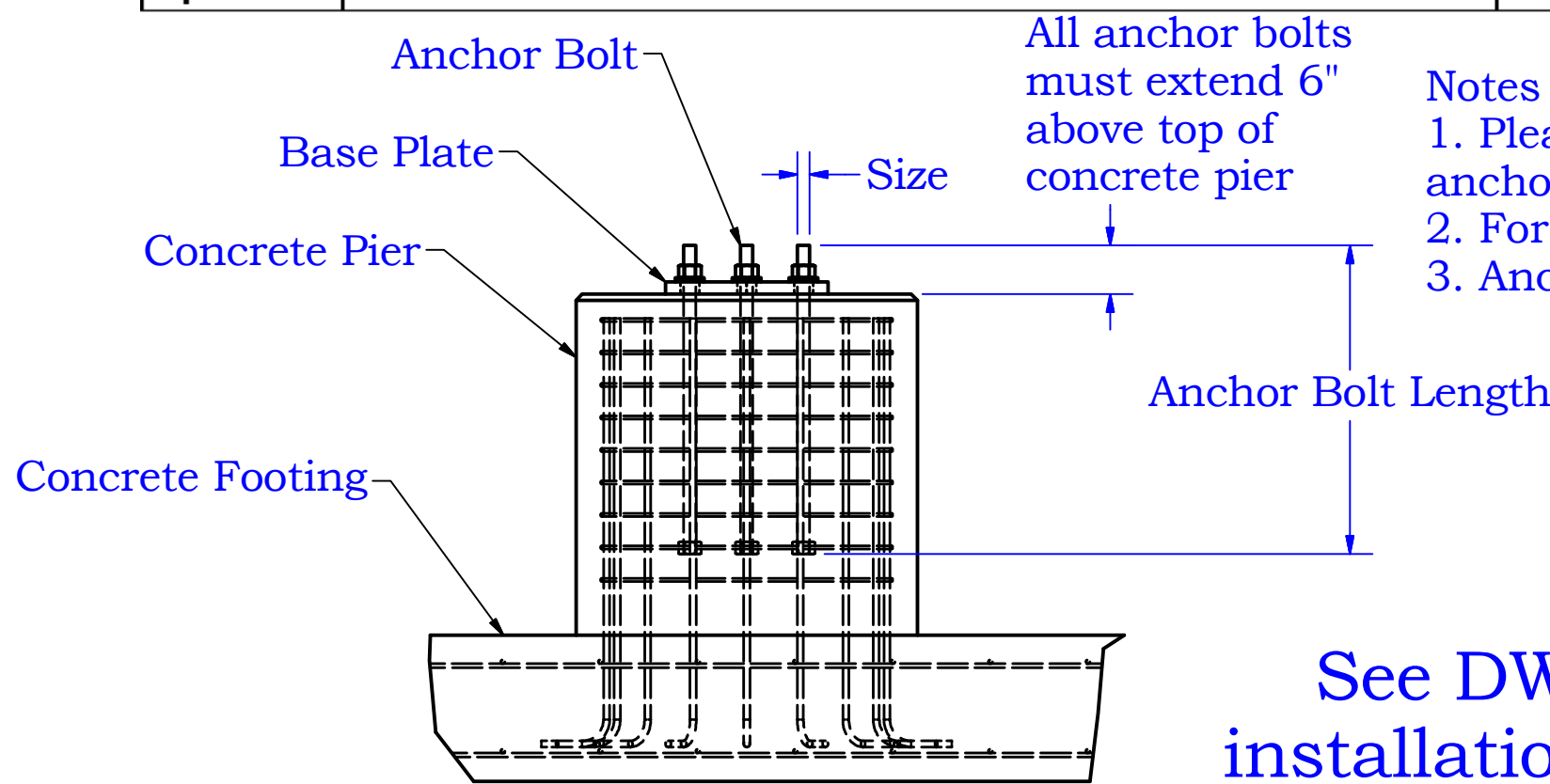
Dimensions for 4 Anchor Installs

Dimensions for 6 Anchor Installs

Dimensions for 8 Anchor Installs

Option #	Base Plate						Fillet Weld Size	
	Length	Width	Thickness	Hole Dia.	Hole Spacing		Flange	Web
					Dim "A"	Dim "B"		
Option 1	16"	12"	1 1/2"	2 1/16"	2"	12"	0.188"	0.188"
Option 2	19"	15"	1 3/4"	2 5/16"	3"	13"	0.25"	0.188"
Option 3	19"	15"	1 1/2"	2 1/16"	3"	13"	0.188"	0.188"
Option 4	26"	20"	2 1/4"	2 3/4"	4"	18"	0.313"	0.25"
Option 5	20"	16"	1 3/4"	2 5/16"	2.5"	15"	0.188"	0.188"
Option 6	24"	22"	2"	2 3/4"	4"	16"	0.25"	0.188"
Option 7	29"	27"	2 3/4"	3 1/4"	4.5"	9"	0.313"	0.25"
Option 8	20"	16"	1 1/2"	2 1/16"	2"	16"	0.25"	0.188"
Option 9	25"	21"	2 1/4"	2 3/4"	3"	7.5"	0.313"	0.25"
Option 10	28"	20"	2 1/4"	2 5/16"	3"	7"	0.25"	0.188"
Option 11	31"	24"	2 1/2"	3 1/4"	3.5"	17"	0.25"	0.188"
Option 12	34"	28"	3"	3 1/4"	4"	10"	0.25"	0.188"
Option 13	36"	33"	3 3/4"	3 1/4"	4.5"	8"	0.313"	0.313"
Option 14	36"	28"	2 3/4"	3 1/4"	4"	20"	0.25"	0.188"
Option 15	38"	32"	3 1/2"	3 1/4"	4"	8"	0.313"	0.313"
Option 16	38"	31"	3 1/2"	3 1/4"	3.5"	8"	0.313"	0.25"
Option 17	Custom Base Plate Design Required						0.313"	0.25"
Option 18	Custom Base Plate Design Required						0.313"	0.313"

Option #	Heavy Hex Head Anchor Bolt (Nut and Washer)				
	Quantity (per pier)	Size	Anchor Bolt Length	Min. Washer Dimension (Diameter)	Min. Washer Thickness (Stacked)
Option 1	4	1 1/8"	28.5"	3"	1/2"
Option 2	4	1 1/2"	36"	3 1/2"	1/2"
Option 3	4	1 1/4"	31"	3"	1/2"
Option 4	4	1 3/4"	41"	4"	5/8"
Option 5	4	1 3/8"	33.5"	3 1/2"	1/2"
Option 6	4	1 3/4"	41"	4"	5/8"
Option 7	6	2"	46"	5"	3/4"
Option 8	4	1 1/8"	34.5"	3"	1/2"
Option 9	6	1 3/4"	41"	4"	5/8"
Option 10	6	1 1/2"	36"	3 1/2"	1/2"
Option 11	4	2"	46"	5"	3/4"
Option 12	6	2"	46"	5"	3/4"
Option 13	8	2"	46"	5"	3/4"
Option 14	4	2"	46"	5"	3/4"
Option 15	8	2"	46"	5"	3/4"
Option 16	8	2"	46"	5"	3/4"
Option 17	Custom Anchor Design Required				
Option 18	Custom Anchor Design Required				



Notes

1. Please see drawings 241-0409, 241-0410, 241-0411, or 241-0412 to find correct anchor and base plate option depending on selected scoreboard.
2. For larger installs requiring Option 17 or 18, custom designs will be required.
3. Anchor Bolts are to be ASTM F1554 Grade 36 minimum

See DWG-0819 for installation instructions

Outdoor Scoreboard Footing Installation Base Plates and Anchors		 Nevco, Inc. Greenville, Illinois 62246	
Drawn CJS	Date 1/11/2017	Sheet 1 of 1	