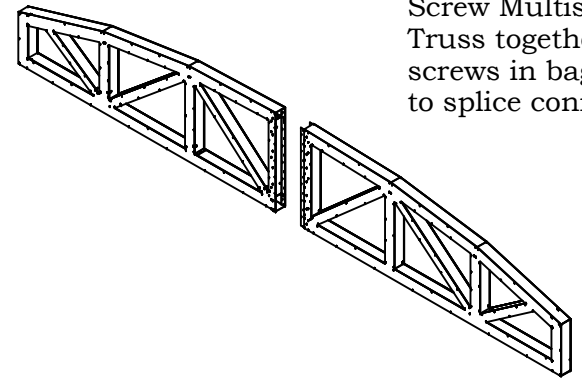
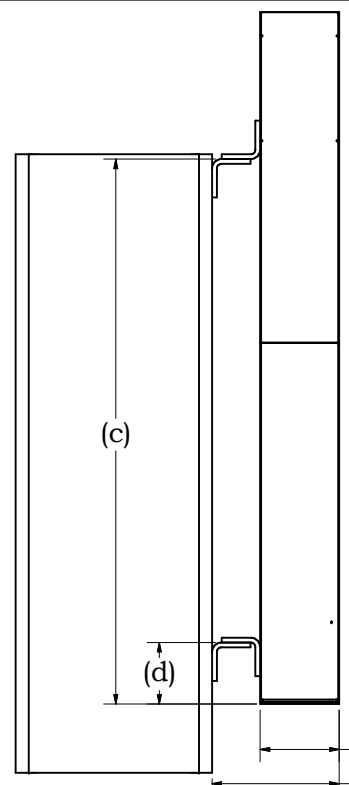


This truss is rated at 150 mph when mounted to columns at factory manufactured mounting locations. Mounting Trusses to columns in any other configuration can affect the integrity of the sign.

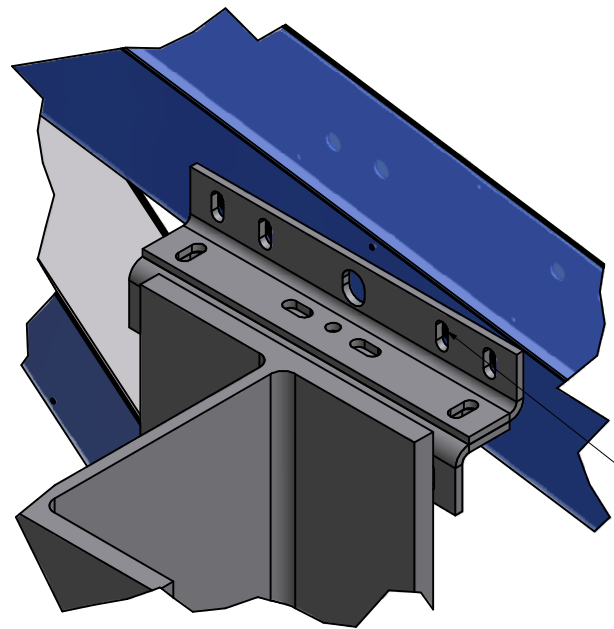
Screw Multisection Truss together with screws in bag taped to splice connection.



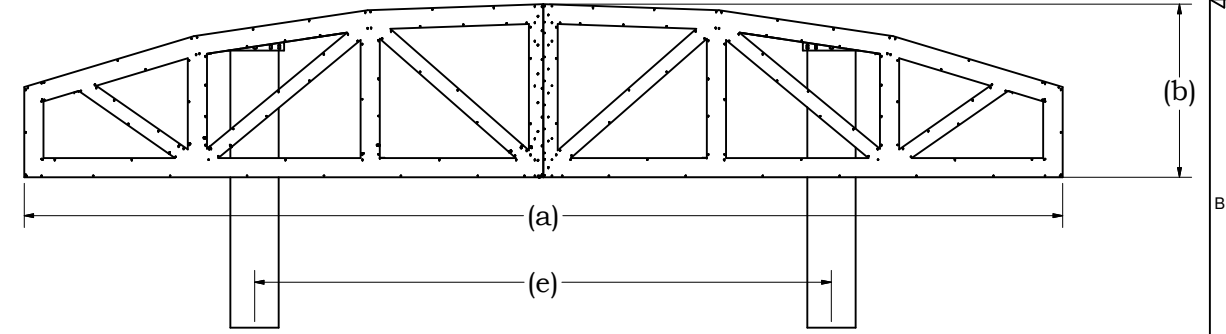
Variation Chart					
Truss Width (a)	Truss Height (b)	Bracket Height (c)	Bracket Height (d)	Column Width (e)	Est Weight
18'	3'	28 13/32"	3 7/32"	10'	145
16'	3.7'	34 1/2"	2"	8'	136
18'	4'	38 3/16"	2"	10'	165
12'	2' 6"	18 11/16"	2"	8'	90
10'	2' 6"	18 7/8"	2"	8'	64
8'	2' 6"	18 7/8"	2"	6'	58



Bracket Orientation




(4) 3/8" serrated flange bolts supplied by Nevco to attach brackets to truss



Front View

* Dimension shown is typical. Slots in brackets allow for approximately 1/2" variation.

Installation of Aluminum Trusses on Two Columns			
		Nevco, Inc. Greenville, Illinois 62246	
Drawing No. 241-0388		Sheet 1 of 1	
Drawn WHP	Date 3/31/2015	Sheet 1 of 1	