

MAXIMIZE YOUR IMPACT

UPGRADABLE SCORERS TABLES



Table Sizes: 4ft, 8ft and 10ft

Styles: Non-Lit, Rear-Lit and LED



Nevco's Upgradable Scorers Table is the most flexible scorers table solution on the market today. The scorers table can be upgraded from non-lit to rear-lit to LED quickly and easily using a cartridge-based system. Additionally, the upgradable table can grow over time by combining and interlocking with other upgradable tables to expand into a longer, seamless table.

3 OPTIONS:

- Non-Lit: basic non-lit image printed on impact resistant face
- Rear-Lit: brighter upgraded look using state-of-the-art LED backlighting
- LED: digital display with high resolution 10mm SMD technology

3 OPTIONS USING 1 TABLE: CARTRIDGE-BASED CONCEPT

- Take out non-lit cartridge and replace with rear-lit or LED cartridge
- Upgrade your table at any time for a fraction of the cost vs. competition

EXPAND:

- Unique ability to add/combine options into seamless product
- Add on additional table segments at any time
- Mix and match table types: non-lit, rear-lit and LED segments
- Maximizes customer options and budget



MAXIMIZE YOUR IMPACT®

BUILD YOUR OWN DISPLAY AND SCORING SYSTEM ONLINE AT:
WWW.NEVCO.COM

U.S. & CANADA: 800-851-4040 INTERNATIONAL: 618-664-0360
FAX: 618-664-0398 E-MAIL: INFO@NEVCO.COM

Non-Lit and Rear-Lit Signage Options

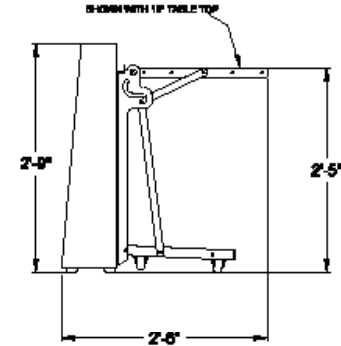
MODEL NUMBER	BACK-LIGHTING	DIMENSIONS	TABLE DEPTH	IMPRINTABLE AREA	UPGRADE-ABLE	EXPAND-ABLE	POWER (DISPLAY ONLY)	WT LBS	AMPS @ 120 VAC
ST-4-NL	Non-Lit	4'L x 2'9"H x 34"D	19" (48cm)	46" x 29.50"	Yes	Yes	n/a	115	n/a
ST-4-RL	Rear-Lit	1.2 x 0.88 x 0.85 m	19" (48cm)	46" x 29.50"	Yes	Yes	25W	125	0.2
ST-8-NL	Non-Lit	8'L x 2'9"H x 34"D	19" (48cm)	93.25" x 29.50"	Yes	Yes	n/a	180	n/a
ST-8-RL	Rear-Lit	2.4 x 0.88 x 0.85 m	19" (48cm)	93.25" x 29.50"	Yes	Yes	50W	190	0.5
ST-10-NL	Non-Lit	10'L x 2'9"H x 34"D	19" (48cm)	112.25" x 29.50"	Yes	Yes	n/a	210	n/a
ST-10-RL	Rear-Lit	3.05 x 0.88 x 0.85 m	19" (48cm)	112.25" x 29.50"	Yes	Yes	60W	220	0.5

LED Options

MODEL NUMBER	PITCH MM	COLOR	DIMENSIONS	TABLE DEPTH	V PIXELS	H PIXELS	POWER (DISPLAY ONLY)	WT LBS	AMPS @ 120 VAC
ST-8-LED-192	10	RGB Full Color	8'L x 2'9"H x 34"D	19" (48cm)	72	192	1,200W	225	4.7
ST-8-LEDX240	10	RGB Full Color	2.4 x 0.88 x 0.85 m	19" (48cm)	72	240	1,500W	230	5.8
ST-10-LEDX240	10	RGB Full Color	10'L x 2'9"H x 34"D	19" (48cm)	72	240	1,500W	245	5.8
ST-10-LEDX288	10	RGB Full Color	3.05 x 0.88 x 0.85 m	19" (48cm)	72	288	1,800W	250	7.0

10mm True Color

PIXEL PITCH	10mm (0.39"); 929 pixels per sq. ft.
COLOR	Full 48-bit true color
COLOR CAPABILITY	280 trillion colors
DISPLAY ELEMENT	SMD Technology
PIXEL BRIGHTNESS	2,000 NIT (cd/m2)
VIEWING ANGLE	Horizontal: 160 degrees Vertical: 145 degrees
OPERATING TEMP	-40° - 120° F
GUARANTEE	1 yr limited guarantee, 3 yr or 5 yr extended warranty available on LED



Padding Colors Available:



Folded Dimensions:

4-ft Tables: 4'L x 2'9"H x 34"D (1.2 x 0.88 x 0.85 m)

8-ft Tables: 8'L x 2'9"H x 34"D (2.4 x 0.88 x 0.85 m)

10-ft Tables: 10'L x 2'9"H x 34"D (3.05 x 0.88 x 0.85 m)

Construction: Heavy-duty, steel and aluminum construction. Lightweight for transporting. No table legs, providing maximum knee space and leg room. Floor saver footing protects floor from scratching and holds table in place securely. Industrial powder coat finish to resist scratching. Integrated power strip with 8 outlets. (120V, 15 Amp; separate power cord)

Optional Accessories:

- Possession Indicator
- Dust Cover

DISPLAY DIRECTOR Software: This user-friendly software is the industry's most innovative, affordable and easy-to-use media server & control room solution, that allows you to display endless graphics such as fan prompts, player profiles and sponsorship spots on your Nevco display in seconds!

Nevco scorers tables are capable of displaying 3rd party software applications such as Stat Crew. This requires the additional purchase of Nevco's 3rd party integration package.

GUARANTEE: TO VIEW OR RECEIVE THE MOST RECENT COPY OF OUR GUARANTEE, PLEASE VISIT: WWW.NEVCO.COM/INFO/GUARANTEE.PHP

U.S. SERVICE: 1-800-851-4040. INTERNATIONAL SERVICE: 1-618-664-0360. CANADA SERVICE: 1-800-461-8550.

BUILD YOUR OWN DISPLAY AND SCORING SYSTEM ONLINE AT:

WWW.NEVCO.COM

U.S. & CANADA: 800-851-4040 INTERNATIONAL: 618-664-0360

FAX: 618-664-0398 E-MAIL: INFO@NEVCO.COM

